

## NSD-20 PAT. ADJUSTABLE SOFT-DOWN STAY

Top-Opening Flap with Piano, Butt or Concealed Hinges.

Oblong Holes of the Mounting Plate Allow Flap Opening Angle Adjustable from 70° to 105°.

Material: Zinc Alloy, Steel

Finish: Bright Nickel

Supplied with screws (3.5 x 15)

NSD-20 is designed to hold a flap in the fully opened position.

Torque Calculation: Torque = Door Height x 1/2 x Door Weight

Per Piece : 20-70kg · cm (19-60 lbs · inch)

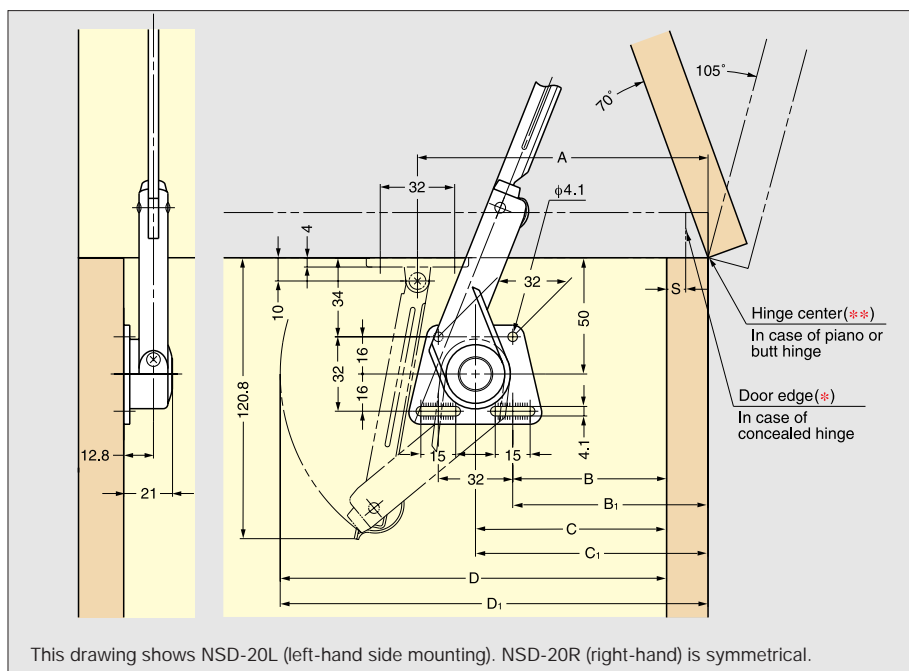
Per Pair : 40-140kg · cm (38-120 lbs · inch)



Opening Angle	Hinge Type	A	B	C	D	B <sub>1</sub>	C <sub>1</sub>	D <sub>1</sub>
70°	Concealed Hinge	126	85-S	101-S	185-S	-	-	-
	Piano/Butt Hinge	125	-	-	-	84	100	184
105°	Concealed Hinge	103	62-S	78-S	162-S	-	-	-
	Piano/Butt Hinge	97	-	-	-	56	72	156

Item No.	Weight (g)	Box (pcs)	Carton (pcs)
NSD-20R	210	20	80
NSD-20L	210	20	80

Note: "S" dimension is the overlay distance for concealed hinge(s).



70°~105° Opening

