

NSD-35 PAT. ADJUSTABLE SOFT-DOWN STAY

Upward-Opening Flap with Piano, Butt or Concealed Hinges.
 Oblong Holes of the Mounting Plate Allow Flap Opening Angle Adjustable from 80° to 100°.

Material: Zinc Alloy, Steel

Finish: Bright Nickel

Supplied with screws (3.5 x 15)

NSD-35 is designed to securely latch a flap closed and hold the flap in the fully opened position.

Two stop version (65°, 90°) is also available.

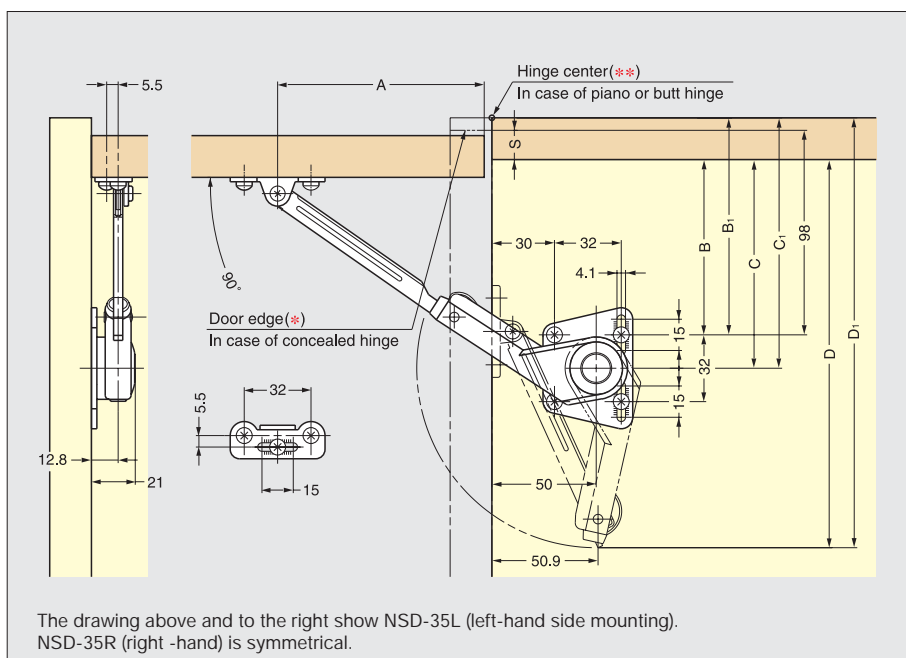
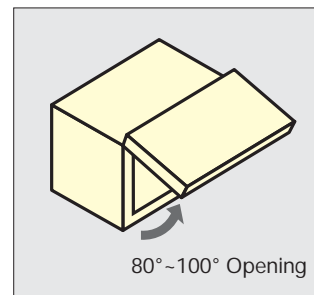
Torque Calculation: Torque = Door Height x 1/2 x Door Weight
 Per Piece : 20-70kg · cm (19-60 lbs · inch)
 Per Pair : 40-140kg · cm (38-120 lbs · inch)



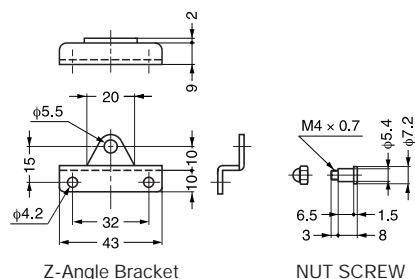
Hinge Type	A	B	C	D	B ₁	C ₁	D ₁
Concealed Hinge	99	98-S	114-S	200-S	-	-	-
Butt/Piano Hinge	93	-	-	-	92	108	194

Item No.	Weight (g)	Box (pcs)	Carton (pcs)
NSD-35R	210	20	80
NSD-35L	210	20	80

Opening Angle	80°		90°		100°	
	Down		Middle		Up	
Position of Plates	Mounting Plate	Arm Bracket	Mounting Plate	Arm Bracket	Mounting Plate	Arm Bracket
For Hinge Center						
(Up) ↓ (Down)						



NSD-35Z2 Angle Bracket



"Z-Angle Bracket" (NSD-35Z2) for aluminum frame installation available at surcharge.