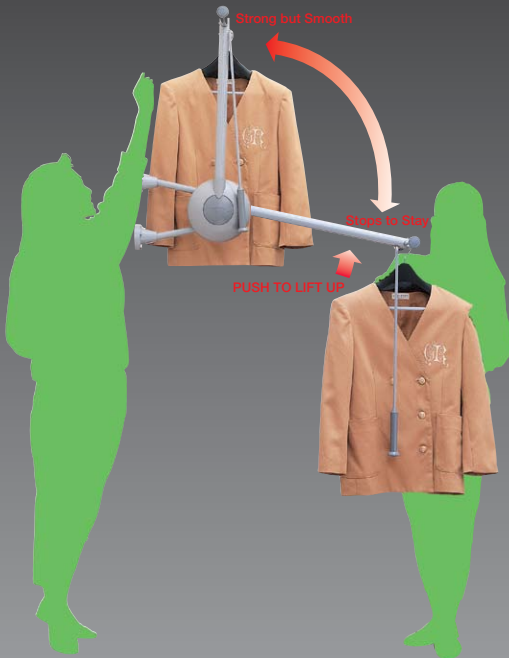
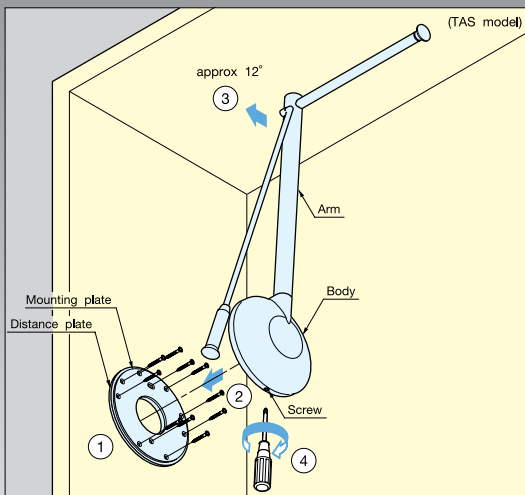


# TALLMAN CLOSET ROD LIFT MECHANISM

Innovative closet storing mechanism to hang clothes in high places, allowing for your closet space to be utilized more efficiently.



- New Shock Absorbing Mechanism:**  
 Designed to soften sudden “pop-ups” even when rod is released halfway.  
 Allows the closet rod to stay at position when the rod is pulled all the way down.
- Easy to use:**  
 Easy to return the rod to its normal position.
- Simple to install:**  
 Install mounting plate on the wall, fasten rod unit to the mounting plate with one hidden screw.
- Choose your size:**  
 We offer single, double or a T-type to accommodate your space requirements.



## Easy Installation:

- ① Secure the mounting plate in the selected area with screws.
- ② Insert the body into the fastening holes located on the mounting plate.
- ③ Rotate the body until the arm is locked (approximately 12°).
- ④ Simply secure the body to the mounting plate with one screw.



## Improved Pipe Fixture for TAS



Insert the pipe end into arm hole and tighten the pipe fixture by turning clockwise as shown.

## Flexible Pull Down Rod



Flexible pull down rod allows smooth operation.

Lapcon **TAS (SINGLE TYPE)**

Lapcon **TAW (DOUBLE TYPE)**

Lapcon **TAT (T-TYPE)**



- This single-type model is designed for installation on a side wall of a cabinet or closet.
- Both right-hand and left-hand models are available.

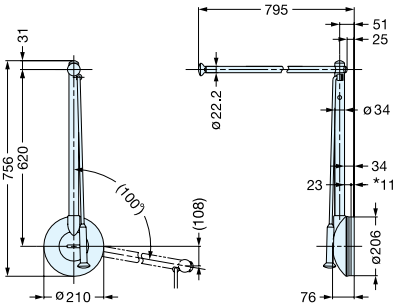
Load capacity: Up to 8 kg (17.6 lbs) (evenly distributed).  
 Packaging: 1 set/box (about 5 kg or 11 lbs).

- The double-type model is designed for installation on side walls of a cabinet or closet, using it in full width.
- Adjusting the length of the rod is easily done in just one step.

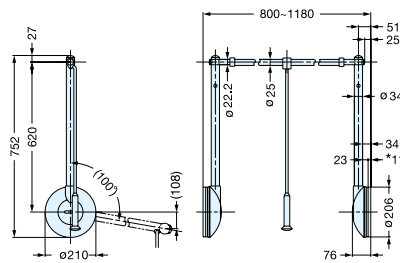
Load capacity: Up to 15 kg (33 lbs) (evenly distributed).  
 Packaging: 1 set/box (about 9 kg or 19.8 lbs).

- The T-type model is designed for front facing installation with the use of a bracket which is sold separately (TAB).
- Create space more efficiently by separating short and long clothes.

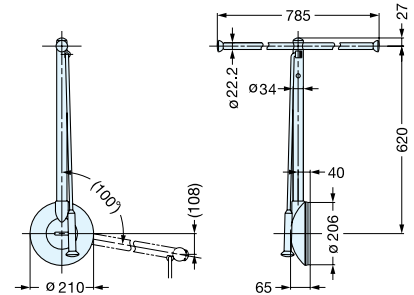
Load capacity: Up to 8 kg (17.6 lbs) (evenly distributed).  
 Packaging: 1 set/box (about 5 kg or 11 lbs).



\*Thickness of Distance Plate



\*Thickness of Distance Plate

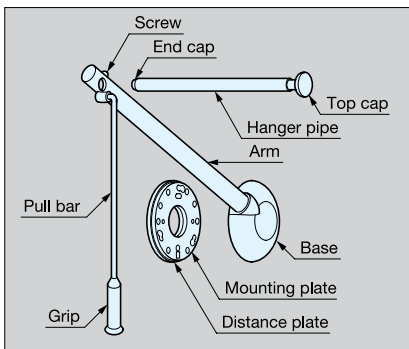


Product Specification	Grey (G)	Umber (U)
Right-Hand	TAS-800R/G	TAS-800R/U
Left-Hand	TAS-800L/G	TAS-800L/U

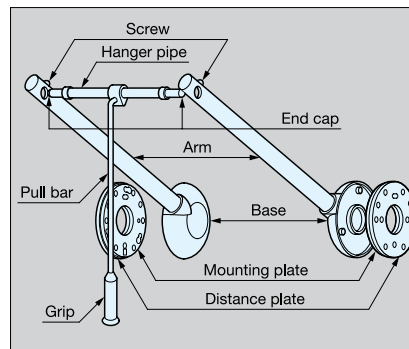
Grey (G)	Umber (U)
TAW-1200/G	TAW-1200/U

Product Specification	Grey (G)
Right-Hand	TAT-800R/G
Left-Hand	TAT-800L/G

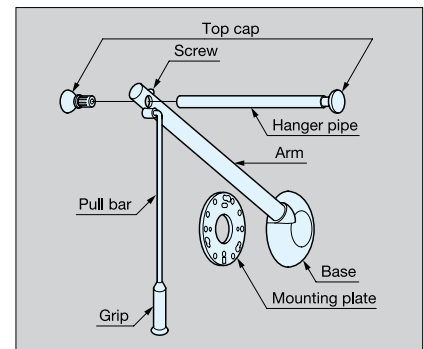
TAS-800L



TAW-1200



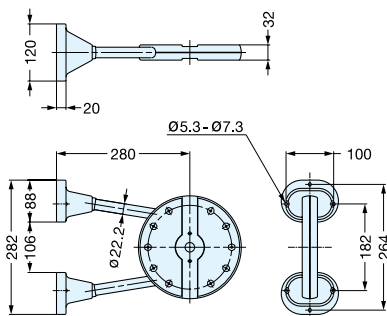
TAT-800L



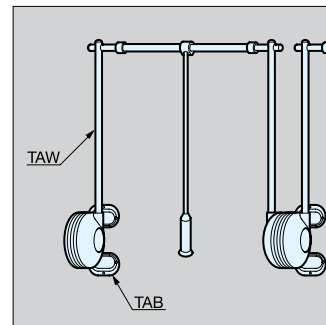
# BRACKET



# TAB



• Back wall mount bracket for TAS, TAW and TAT.

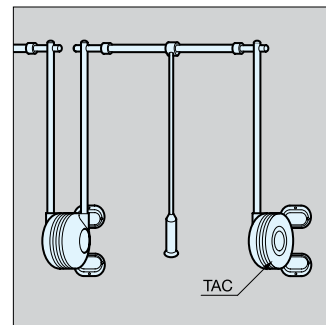
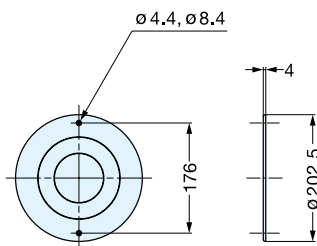


Item No.	Weight (kg)	Box (pcs)	Carton (pcs)	Material	Color
TAB/G	1.5 (3.3 lbs)	1	4	Steel/Plastic	Grey
TAB/U					Umber

# COVER FOR TAB BRACKET



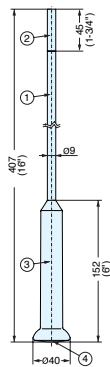
# TAC



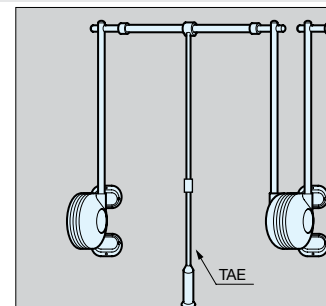
Item No.	Weight (kg)	Box (pcs)	Carton (pcs)	Material	Color
TAC/G	0.21 (0.46 lbs)	1	4	Steel	Grey
TAC/U					Umber

# EXTENSION ROD

# TAE



• 12" extension for pull down rod for TAW, TAS, and TAT.



No.	Part Name	Material	Finish
①	Rod	Steel	Grey/Umber
②	Nut		Nickel
③	Grip	ABS	Grey/Umber
④	End Cap		

Item No.	Weight (g)	Box (pcs)	Carton (pcs)
TAE/G	300	10	50
TAE/U			