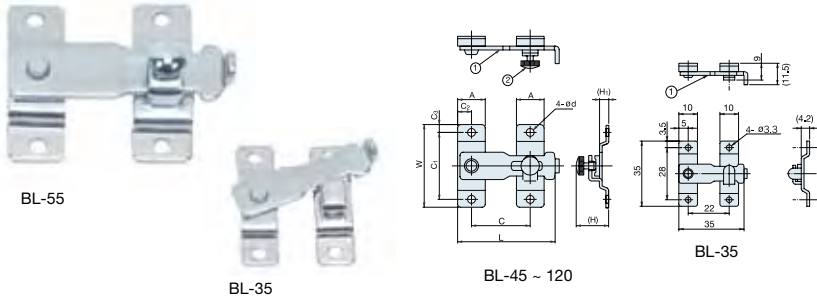


BAR LATCH



BL



- Latch with knurled thumb screw on female strike.
- Tighten screw to keep latch closed.
- No thumb screw on BL-35.

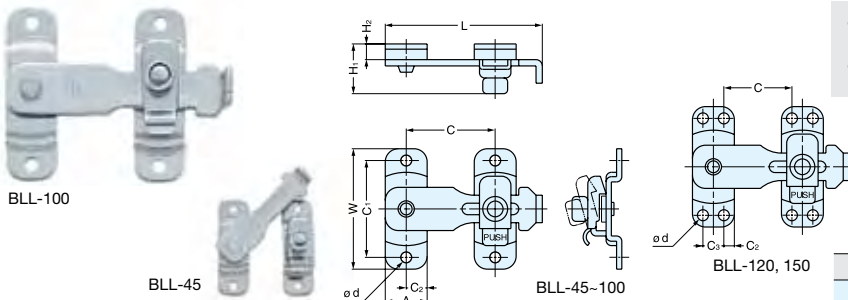
No.	Part Name	Material	Finish
①	Body, Strike	304 Stainless Steel	Polished
②	Thumb Screw	Brass	Chrome

Item No.	L	W	A	C	C ₁	C ₂	C ₃	H	H ₁	d	Weight(g)	Box (pcs)	Carton (pcs)
BL- 35	35 (1-3/8")	35 (1-3/8")	10	22	28	5	3.5	-	4.2	3.3	19	30	1200
BL- 45	45 (1-49/64")	40 (1-37/64")	13	28	32	6.5	4	15 (19/32")	4.5		28		
BL- 55	55 (2-11/64")	46 (1-13/16")	16	35	37	8	4.5	19 (3/4")	6	4	50	20	720
BL- 80	81 (3-3/16")	65 (2-9/16")	20	52	53	10	6	23 (29/32")	7	4.8	100	10	360
BL-100	100 (3-15/16")	80 (3-5/32")	25	60	66	12.5	7	29 (1-6/64")	8	5.5	200	5	150
BL-120	120 (4-23/32")	100 (3-15/16")	30	75	80	15	10	30 (1-3/16")		6.5	295		100

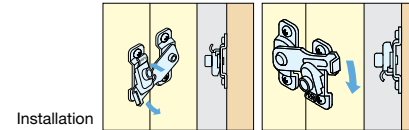
SPRING LOADED BAR LATCH



BLL



- Latch bolt snaps into the strike to prevent accidental release.
- Push tab on strike to release.



Material	Finish
304 Stainless Steel	Polished

Item No.	L	W	A	C ₁	C ₂	C ₃	H ₁	H ₂	C	d	Weight (g)	Box (pcs)	Carton (pcs)	Screw
BLL- 45	48 (1-57/64")	40 (1-37/64")	13	32	6.5	-	17	4.5	23± 3 (29/32" ± 1/8")	3.2	28	20	400	3 × 10
BLL- 60	63 (2-31/64")	46 (1-13/16")	16	37	8	-	20	6	34± 4 (1-11/32" ± 5/32")	4.2	50			3.5 × 16
BLL- 80	85 (3-11/32")	65 (2-9/16")	20	53	10	-	22.5	7	47± 7 (1-27/32" ± 9/32")	5	100	10	200	4.5 × 16
BLL-100	105 (4-1/8")	80 (3-5/32")	25	66	12.5	-	26.5	8	59± 7 (2-21/64" ± 9/32")	5.5	182			100
BLL-120	127 (5")	100 (3-15/16")	28.5	80	6.75	15	28	8	56±10 (2-13/64" ±25/64")	5.2	270	8	80	5 × 20
BLL-150	155 (6-3/32")	120 (4-23/32")	30.5	95	7.25	16			74±14 (2-29/32" ±35/64")		350	6	60	

BAR LATCH



BLT



- 304 stainless steel bar latch.
- Thick material used for durability.
- Latch with thumb screw on bar. Rubber ring on thumb screw to improve grip.
- Tighten screw to keep latch closed.

Material	Finish
304 Stainless Steel	Polished

Item No.	L	P ₁	P ₂	A	B	C	D	E	F	t	Weight (g)	Box (pcs)	Carton (pcs)	Screw
BLT- 45	45 (1-49/64")	30	33	40 (1-37/64")	14	12	3.5	6	2	2	31	20	400	3.1 × 20
BLT- 60	60 (2-23/64")	37	45	48 (1-57/64")	17	15	3.8	7.5	2.5	2	54			10
BLT- 80	80 (3-5/32")	53	62	65 (2-9/16")	21	18	4.3	8	3	3	95	10	100	3.8 × 20
BLT-100	100 (3-15/16")	66	79	80 (3-5/32")	24	21	4.8	9	4	3	177			80
BLT-120	120 (4-23/32")	73	98	90 (3-35/64")	28	24	5.1	10	4	4	243	8	80	