

BLITZ

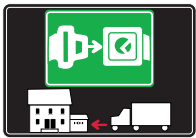


SHELF
SUPPORTS



SYMBOLS AND FINISHES LEGEND

SYMBOLS



= SHELF SAFELY LOCKED DURING TRANSPORTATION AND AT HOME.



= ANTI-TURNOVER LOCKING SYSTEM



= NORMS / PATENTS



= PHILLIPS / POZIDRIV



= NEWTON



= PART.NO



= HEXAGONAL SOCKET



= FRICTION



= PCS. PER PACKAGE



= BLADE SLOT



= AUTOMATIC



= COMBI SLOT



= DROP DOWN



= CAPACITY LOADING



= COUNTERSUNK HEAD



= WOOD / GLASS THICKNESS



= PAN HEAD



= STANDARD HINGE



= HOLE DIAMETER



= FLANGE HEAD



= KIMANA HINGE



= DIAMETER



= FLAT HEAD



= FLAP HINGE



= LENGTH



= TRILOBULAR SCREW



= WITH SPRING



= HEIGHT



= SELF-TAPPING SCREW



= WITHOUT SPRING



= RIGHT VERSION



= EURO THREAD



= REVERSED SPRING



= LEFT VERSION



= METRIC THREAD



= PRE-INSERTED SCREW



= FOR ROUND TUBE



= PCS. PER PAD



= PRE-INSERTED SCREW AND SPREADING BUSH



= FOR OVAL TUBE



= CUT ON REQUEST



= WITH BUFFER



= SELF ADHESIVE



= WITH MAGNET



= WITH FLANGE

MATERIALS

ZA = Zinc Alloy	ST = Steel	HSS = High Speed Steel	BR = Brass	ABS = Acrylonitrile Butadiene Styrene
ZAnk = Nickel-plated Zinc Alloy	STzk = Zinc-plated Steel	AL = Aluminium	WD = Wood	EVA = Ethylene Vinyl Acetate

EP = **ENGINEERING PLASTIC**

+ **EP** = other engineering plastic available on request

SR = **SOFT RUBBER**

+ **SR** = other soft rubber available on request

EPn = Natural Engineering Plastic	EPc = Clear Engineering Plastic	SRn = Natural Soft Rubber
EPw = White Engineering Plastic	EPg = Grey Engineering Plastic	SRw = White Soft Rubber
EPwg = Water Green Engineering Plastic		SRb = Black Soft Rubber

FINISHES

+  = OTHER FINISHES AVAILABLE ON REQUEST

PART. NO	FINISHES	PART. NO	FINISHES	PART. NO	FINISHES
AA	Natural	JB	Bright Aluminium	PZ	Beech
AB	White	JC	Aluminium - Chrome	QA	Maple
AC	Opal White	JD	Matt Aluminium	QB	Walnut
AE	White 9010	JE	Satin-finished Aluminium	WA	Bronzed
AK	Champagne	JF	Aluminium - Brass	WI	Burnished
AL	Ivory	JG	Aluminium 5	XD	Satin-finished Steel
EA	Black	JL	Aluminium PE 11	YA	Nickel-plated
EB	Glossy Black	JM	Aluminium RAL 9006	YB	Bright Nickel-plated
EC	Matt Black	KA	Chrome	YC	Matt Nickel-plated
GR	Raw	KB	Bright Chrome	YD	Satin-finished Nickel-plated
HA	Brass-Plated	KC	Matt Chrome	ZA	Zinc alloy
HH	Tropicalized	MA	Brown	ZN	Zinc-plated
HL	Raw Brass	MB	Light Brown 1	ZQ	Bright Gold
IA	Grey	NN	Metallic Beige	ZY	Titanium
IB	Metallic Grey	NO	Beige	ZZ	Clear
IF	Middle Grey	OA	Oak	00	Insignificant finish
IJ	Light Grey	OZ	Ash		
IL	Grey 20	PA	Light Ash		
JA	Aluminium	PY	Cherry		



BLITZ

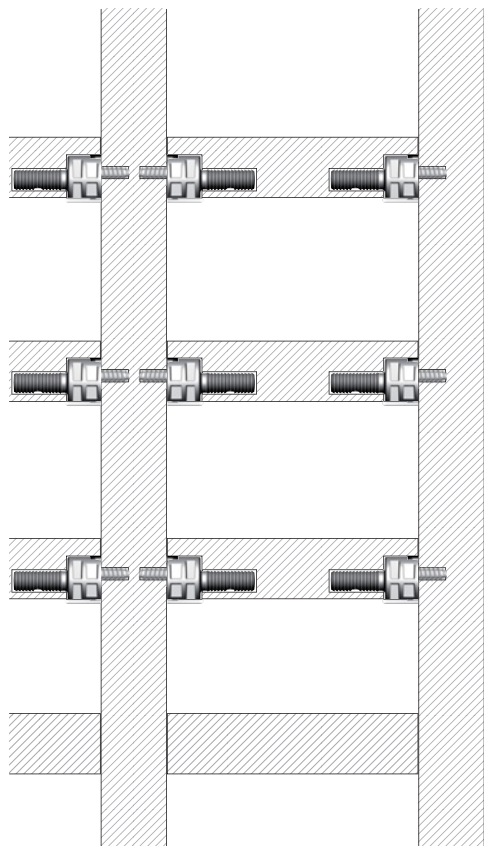
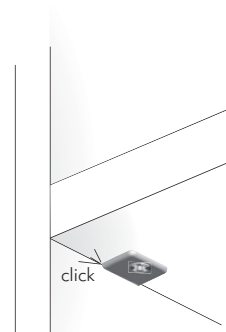
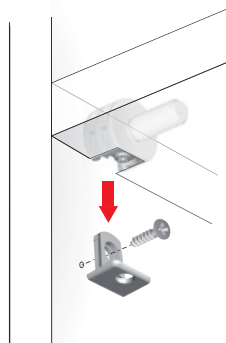
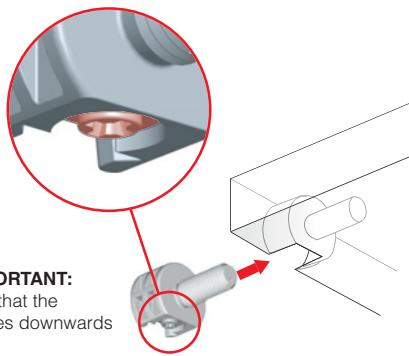
BLITZ is the shelf support slotted into the shelf by making edge borings. The sleeve expands by inserting the provided pin, which improves the structural fastening of the shelf to the sides of the furniture. The shelf has to be pushed downwards onto the side brackets, which can be screwed into any position required.

The side brackets slot into the socket of the shelf supports and a first click locks the shelf in position. After turning the cam pin placed inside the shelf support 180° anticlockwise, the shelf is really locked.

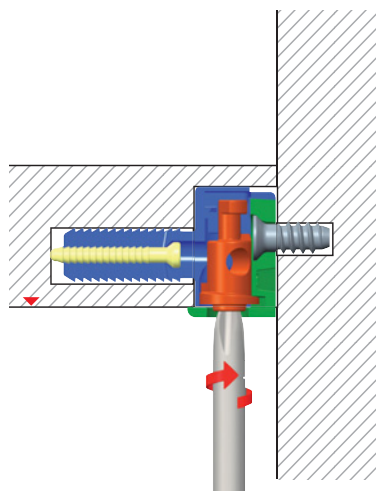


22 mm min.

INSTALLATION AND ASSEMBLING

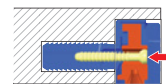


STRUCTURAL FASTENING WITH CROSS PZ2 SCREWDRIVER:



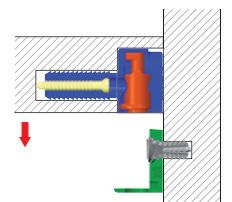
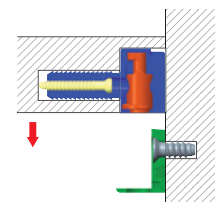
90° turning.

The sleeve expands by inserting the pre-mounted pin.

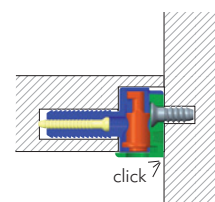


Assembling with alternative fixing options.

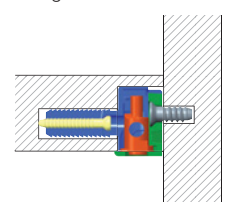
Assembling with pre-inserted spreading bush and screw to avoid hole damaging for shelf repositioning.



LOCKING DETAIL:



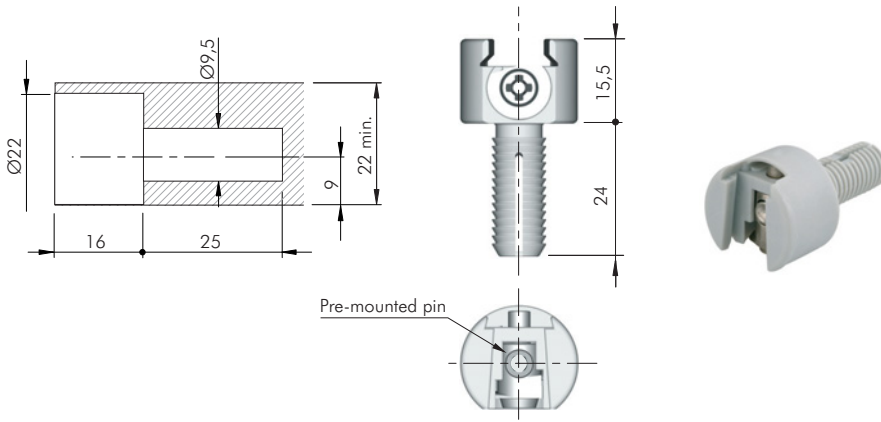
Turning the minifix.





Also suitable for top and bottom panels when a back panel is used.





BLITZ  **22 mm**

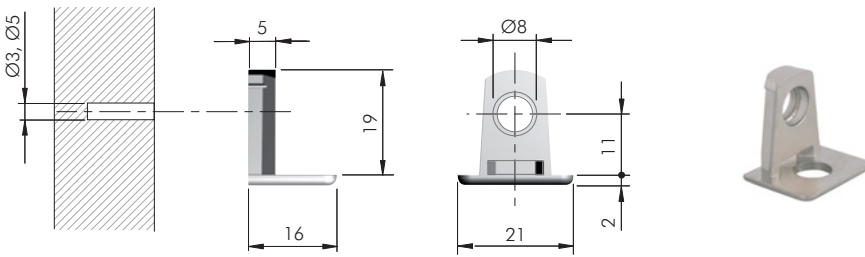




 = PZ2


ZA EP ST  = 3000 pcs.



 123 

11201010EA

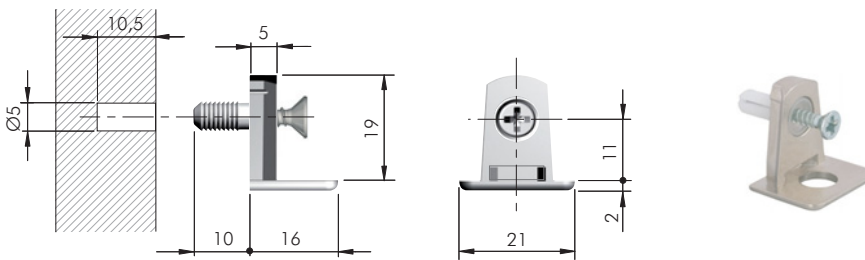




 = Ø 3, Ø 5 mm 



ZA  = 2500 pcs.


 123 



11202010YA



 = Ø 5 mm 

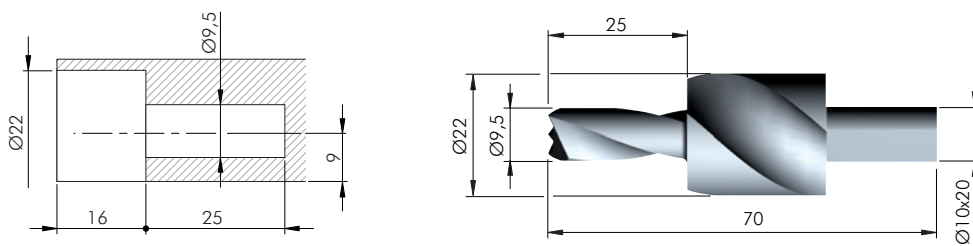
  = PZ2


ZA ST EP  = 2500 pcs.



 123 


11202020YA


DRILL BIT FOR BLITZ  **22 mm**



HSS  = on request

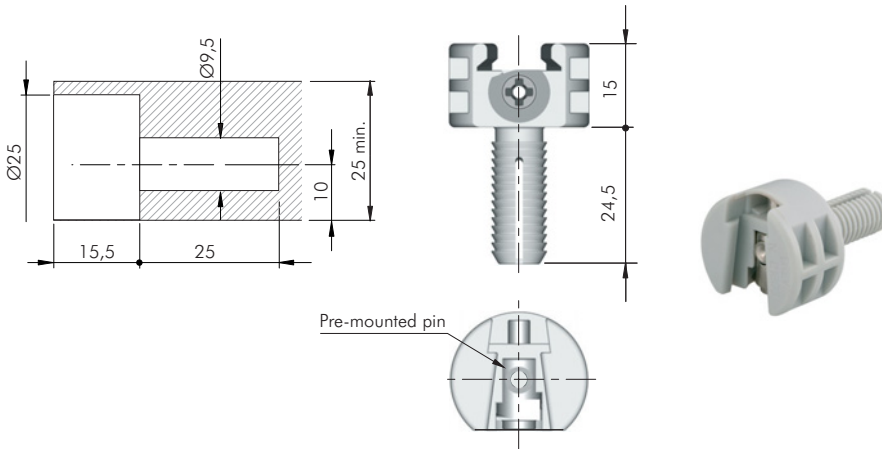
 123 


1125010000 


1125020000 





BLITZ  25 mm

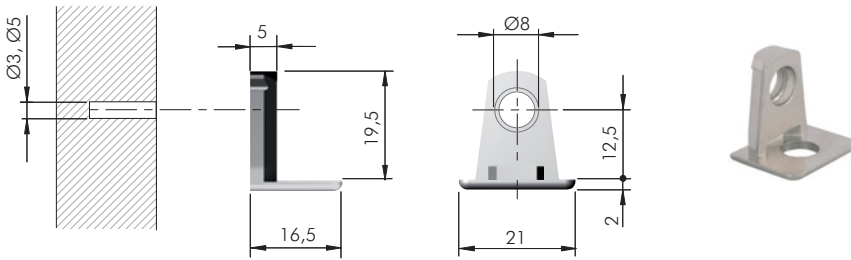




 = PZ2


ZA EP ST  = 2500 pcs.



 123 

11201030EA

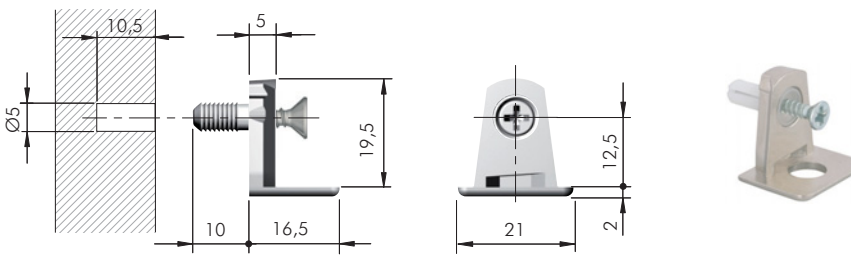




 = Ø 3, Ø 5 mm 


ZA  = 2500 pcs.


 123 



11203010YA



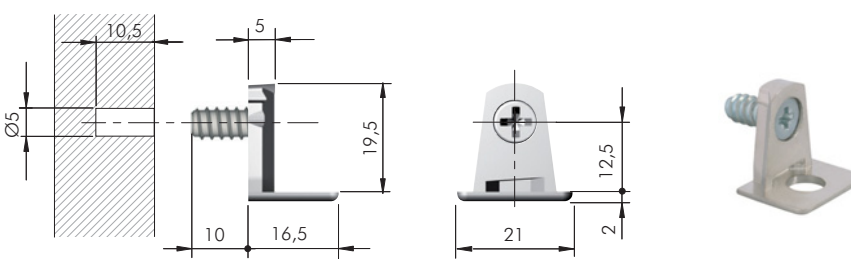
 = Ø 5 mm 



 = PZ2


ZA ST EP  = 2500 pcs.


 123 



11203020YA



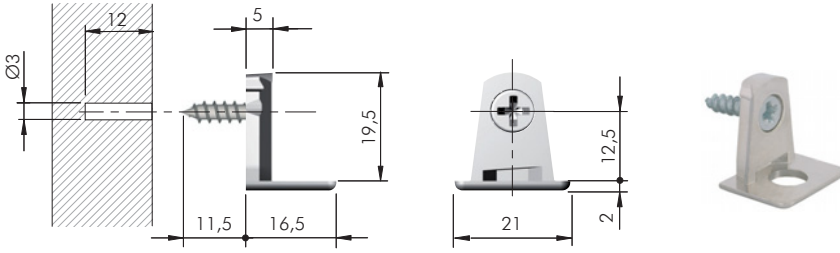
 = Ø 5 mm 

 = PZ2

ZA ST  = 2500 pcs.

 123 

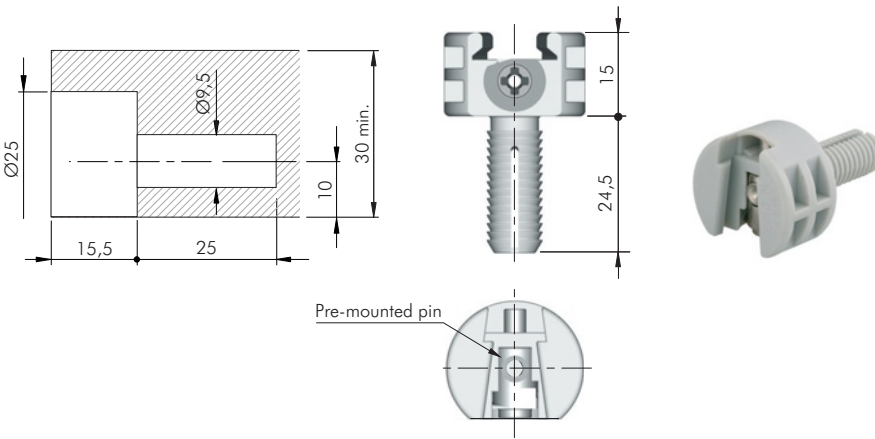
11203030YA



= Ø 3 mm +
 = PZ2
 ZA ST = 2500 pcs.

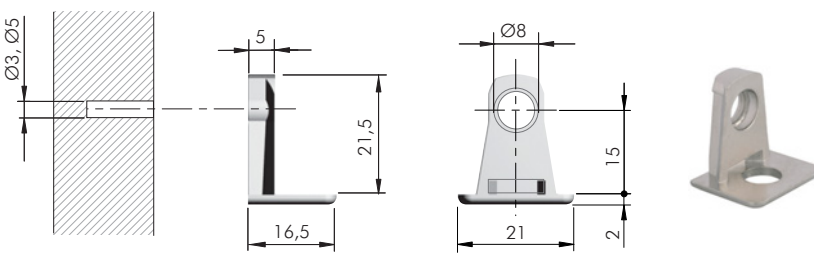
11203050YA

BLITZ **30 mm**



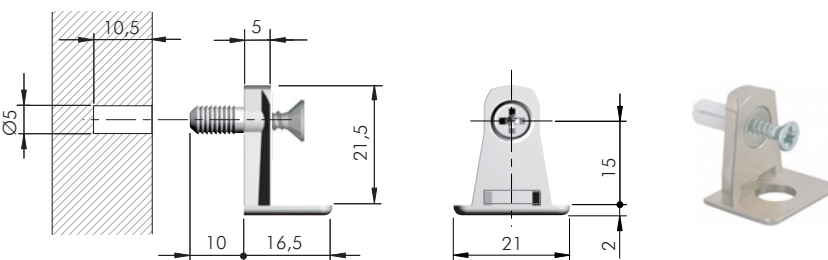
= PZ2
 ZA EP ST = 2500 pcs.

11201030EA



= Ø 3, Ø 5 mm +
 ZA = 2500 pcs.

11204010YA

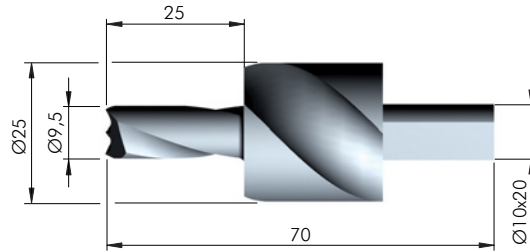
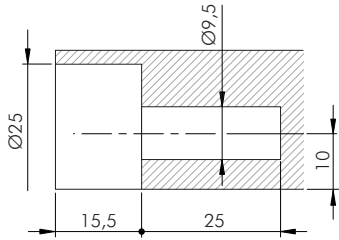







= Ø 5 mm +
 = PZ2
 ZA ST EP = 2500 pcs.

11204020YA

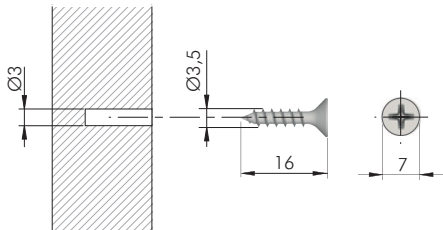









DRILL BIT FOR BLITZ 25, 30 mm

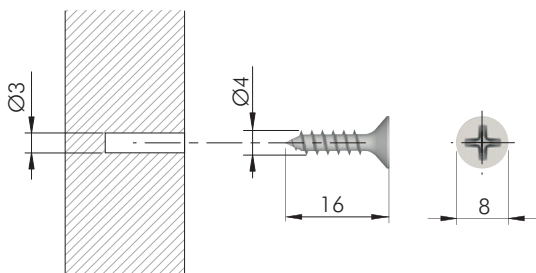









ST	 = on request
 1125030000 	
1125040000	

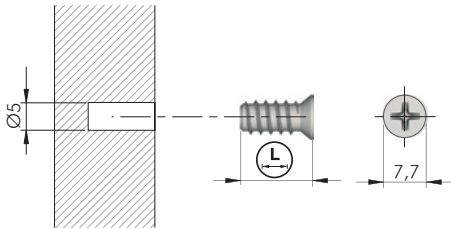
BLITZ FIXING ACCESSORIES



 = Ø 3 mm	
   = PZ2	
ST	 = 10.000 pcs.
 60101390ZN 	



 = Ø 3 mm	
   = PZ2	
ST	 = 5000 pcs.
 60101570ZN 	

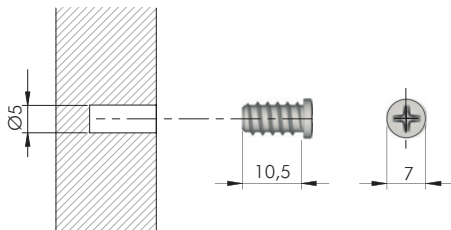


= Ø 5 mm +

= PZ2

= 2500 pcs.

60502010Z N	10	9000
60501050Y A	12,7	5000
60502020Z N	13	5000
60502030Z N	15	5000

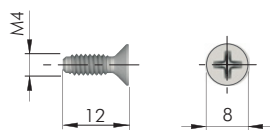


= Ø 5 mm +

= PZ2

= 5000 pcs.

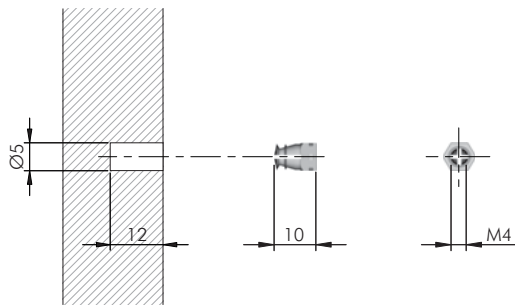
60507010Y A	



= M4 = PZ2

= 2000 pcs.

60305040Z N	



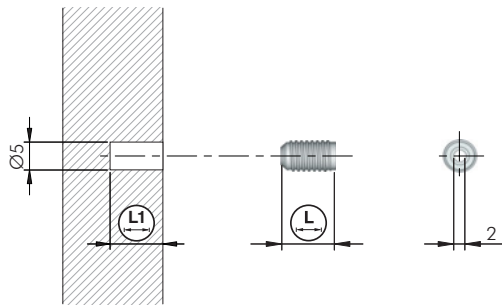
= Ø 5 mm = M4

BR

= 20.000 pcs.



20502021HL



= Ø 5 mm

EPn

= 5000 pcs.



20302020AA



9,5

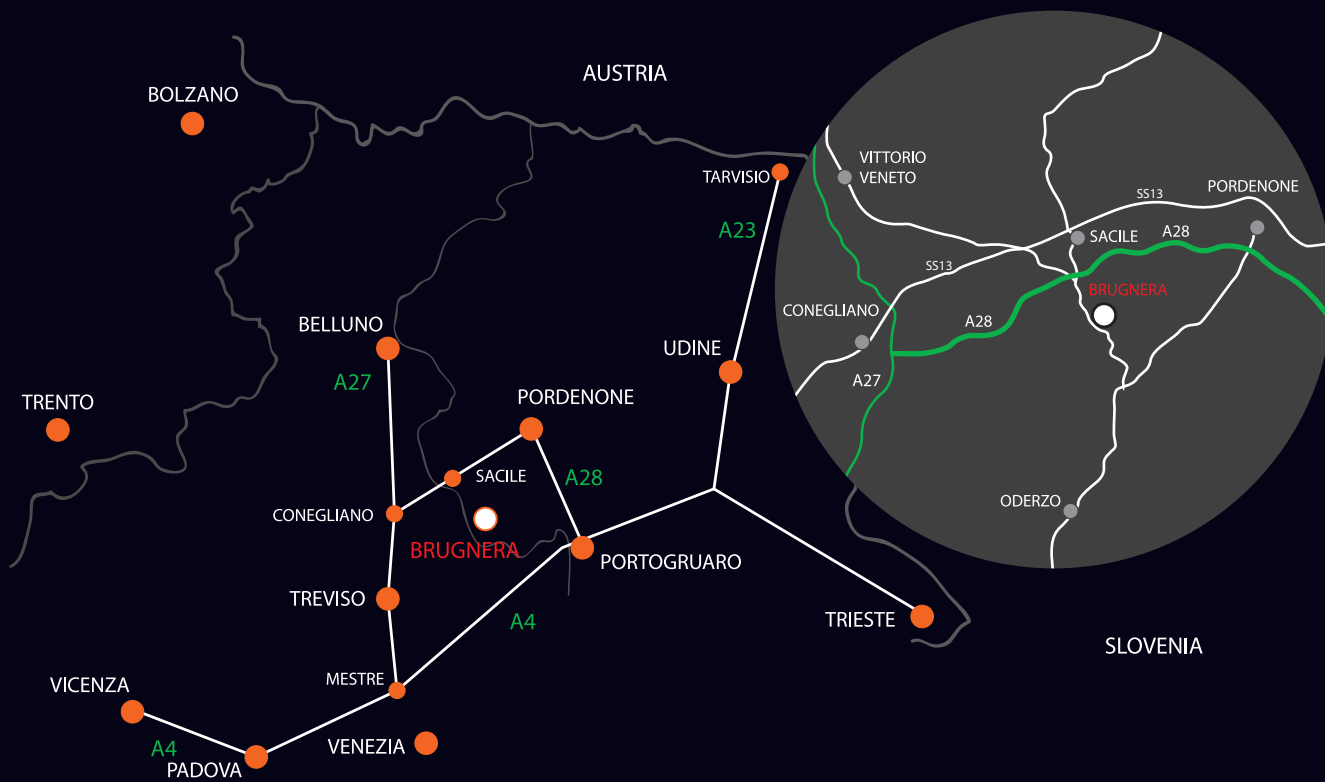


11,5

20302030AA

13

15



www.italianaferramenta.com