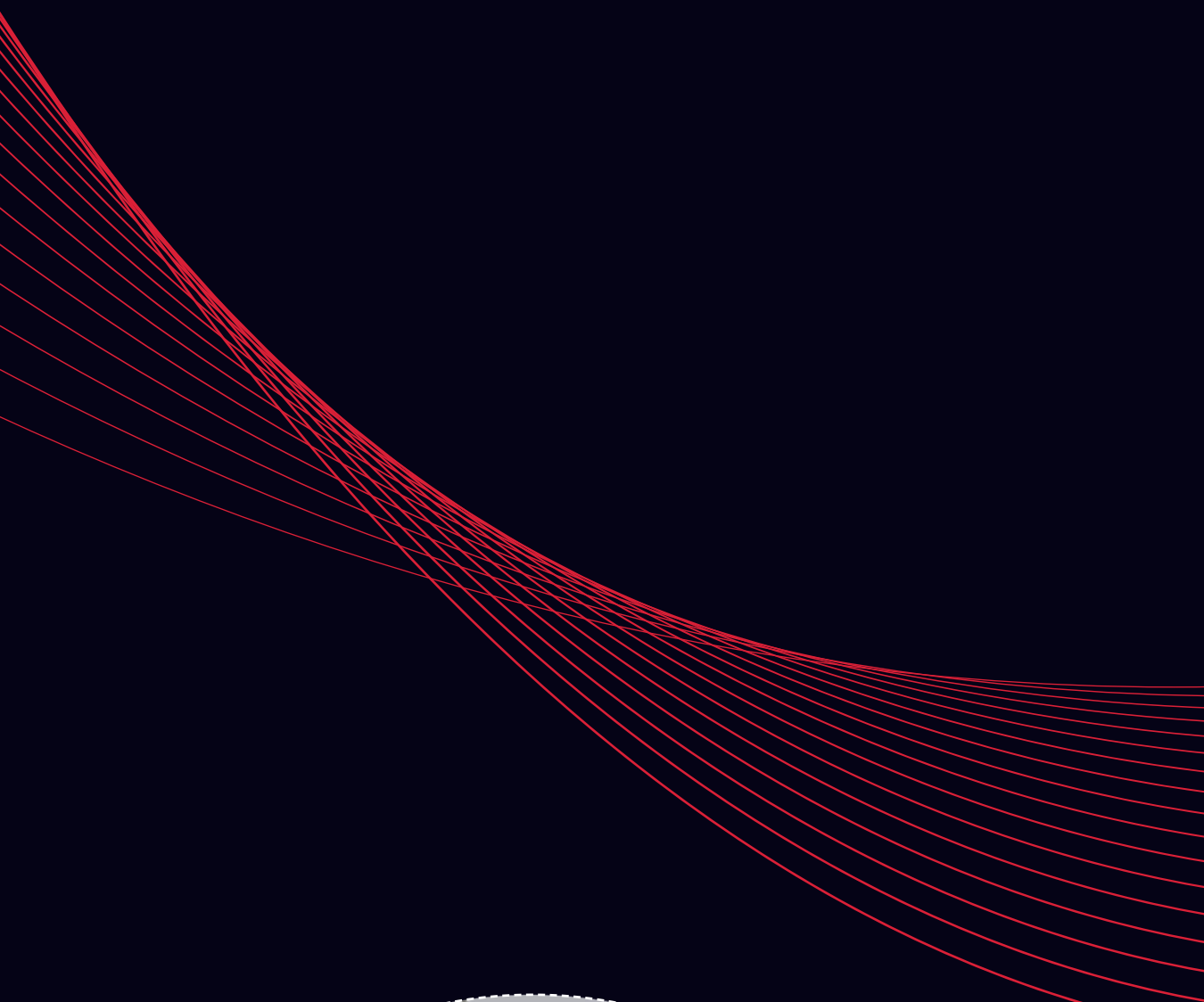


FLIPPER-BI



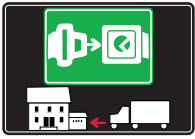
SHELF
SUPPORTS





SYMBOLS AND FINISHES LEGEND

SYMBOLS



= SHELF SAFELY LOCKED DURING TRANSPORTATION AND AT HOME.



= ANTI-TURNOVER LOCKING SYSTEM



= NORMS / PATENTS



= PHILLIPS / POZIDRIV



= NEWTON



= PART.NO



= HEXAGONAL SOCKET



= FRICTION



= PCS. PER PACKAGE



= BLADE SLOT



= AUTOMATIC



= COMBI SLOT



= DROP DOWN



= CAPACITY LOADING



= COUNTERSUNK HEAD



= WOOD / GLASS THICKNESS



= PAN HEAD



= STANDARD HINGE



= HOLE DIAMETER



= FLANGE HEAD



= KIMANA HINGE



= DIAMETER



= FLAT HEAD



= FLAP HINGE



= LENGTH



= TRILOBULAR SCREW



= WITH SPRING



= HEIGHT



= SELF-TAPPING SCREW



= WITHOUT SPRING



= RIGHT VERSION



= EURO THREAD



= REVERSED SPRING



= LEFT VERSION



= METRIC THREAD



= PRE-INSERTED SCREW



= FOR ROUND TUBE



= PCS. PER PAD



= PRE-INSERTED SCREW AND SPREADING BUSH



= FOR OVAL TUBE



= CUT ON REQUEST



= WITH BUFFER



= SELF ADHESIVE



= WITH MAGNET



= WITH FLANGE

MATERIALS

ZA = Zinc Alloy	ST = Steel	HSS = High Speed Steel	BR = Brass	ABS = Acrylonitrile Butadiene Styrene
ZAnk = Nickel-plated Zinc Alloy	STzk = Zinc-plated Steel	AL = Aluminium	WD = Wood	EVA = Ethylene Vinyl Acetate

EP = **ENGINEERING PLASTIC**

+ **EP** = other engineering plastic available on request

SR = **SOFT RUBBER**

+ **SR** = other soft rubber available on request

EPn = Natural Engineering Plastic	EPc = Clear Engineering Plastic	SRn = Natural Soft Rubber
EPw = White Engineering Plastic	EPg = Grey Engineering Plastic	SRw = White Soft Rubber
EPwg = Water Green Engineering Plastic		SRb = Black Soft Rubber

FINISHES

+  = OTHER FINISHES AVAILABLE ON REQUEST

PART. NO	FINISHES	PART. NO	FINISHES	PART. NO	FINISHES
AA	Natural	JB	Bright Aluminium	PZ	Beech
AB	White	JC	Aluminium - Chrome	QA	Maple
AC	Opal White	JD	Matt Aluminium	QB	Walnut
AE	White 9010	JE	Satin-finished Aluminium	WA	Bronzed
AK	Champagne	JF	Aluminium - Brass	WI	Burnished
AL	Ivory	JG	Aluminium 5	XD	Satin-finished Steel
EA	Black	JL	Aluminium PE 11	YA	Nickel-plated
EB	Glossy Black	JM	Aluminium RAL 9006	YB	Bright Nickel-plated
EC	Matt Black	KA	Chrome	YC	Matt Nickel-plated
GR	Raw	KB	Bright Chrome	YD	Satin-finished Nickel-plated
HA	Brass-Plated	KC	Matt Chrome	ZA	Zinc alloy
HH	Tropicalized	MA	Brown	ZN	Zinc-plated
HL	Raw Brass	MB	Light Brown 1	ZQ	Bright Gold
IA	Grey	NN	Metallic Beige	ZY	Titanium
IB	Metallic Grey	NO	Beige	ZZ	Clear
IF	Middle Grey	OA	Oak	00	Insignificant finish
IJ	Light Grey	OZ	Ash		
IL	Grey 20	PA	Light Ash		
JA	Aluminium	PY	Cherry		



FLIPPER-BI

FLIPPER-BI is the new shelf support suitable for both wood and metal shelves. The shelf has to be pushed downwards onto the side dowels, which can be placed or screwed into any position required. The side dowels slot into the socket of the shelf supports and a click locks the shelf in position. To provide a structural fastening to the furniture screwed side dowels are required, so that the shelf flushes with the sides, due to the angled shape of the shelf support sockets. New stylish and highly captivating squared shape.

Available for:

- min. 18mm thick wood shelves
- min. 15,5mm thick metal shelves

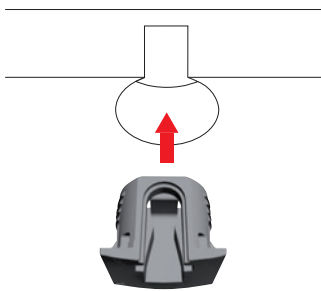


18 mm min.



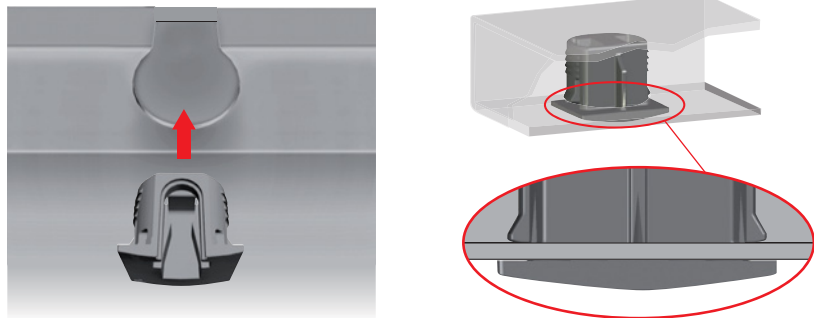
INSTALLATION

WOOD SHELF

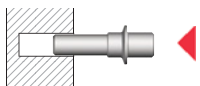


INSTALLATION

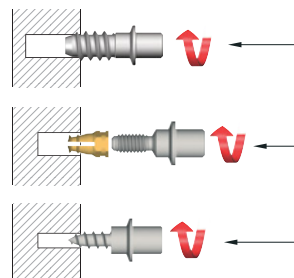
METAL SHELF



Assembling with smooth pin

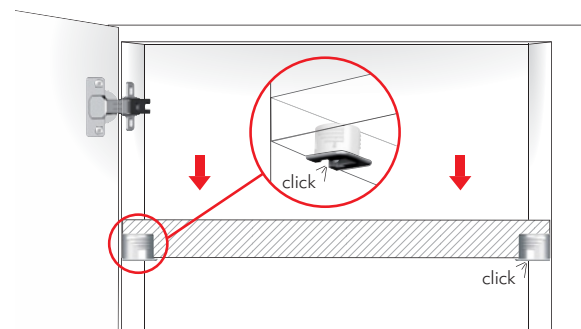
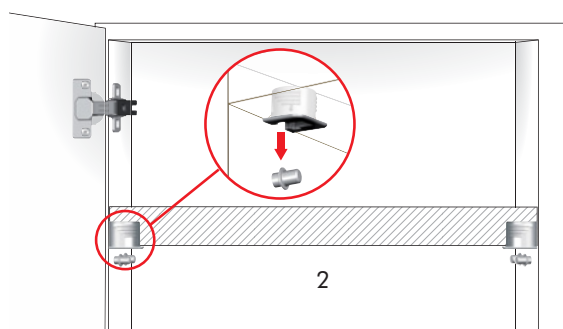
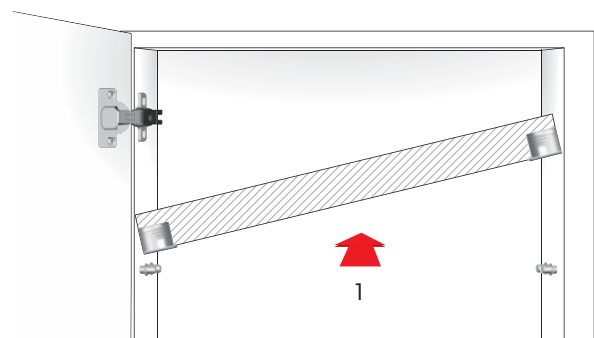


Assembling with threaded pin to achieve horizontal connection



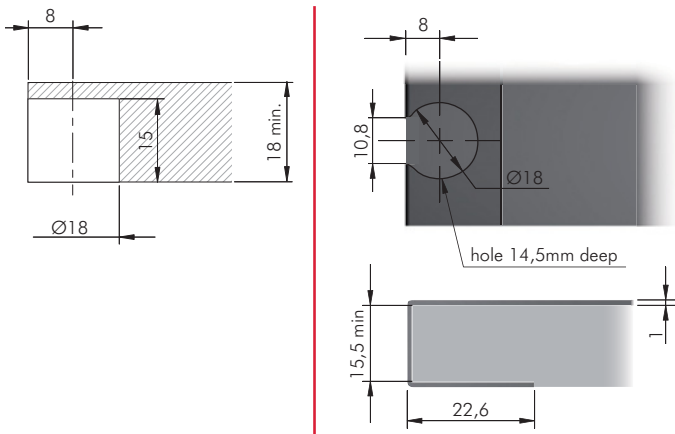
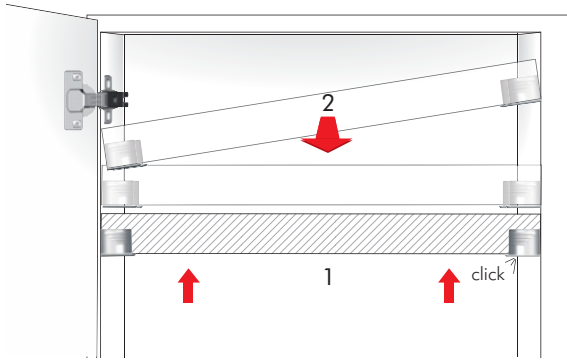
cross PZ2 screwdriver

SHELF INSTALLATION





SHELF REMOVAL FOR NEW REPOSITIONING



= 18 mm min.

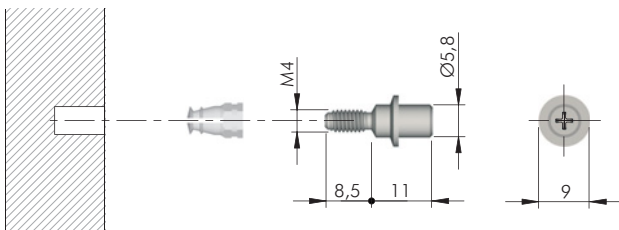
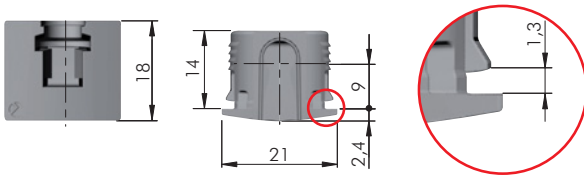
EP

= 5000 pcs.



10601040IL

10601040ZZ



= M4

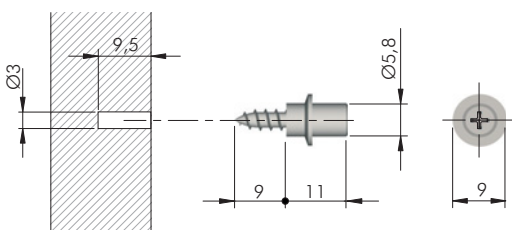
= PZ2

ST

= 5000 pcs.



10602010ZN



= Ø 3 mm

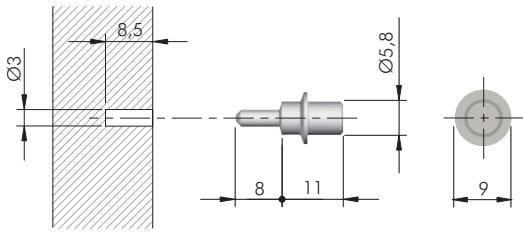
= PZ2

ST

= 6000 pcs.



10603010ZN



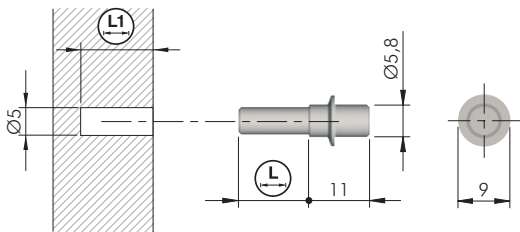
= Ø 3 mm

ST

= 5000 pcs.



10605030Z^N



= Ø 5 mm

ST



10605020Z^N



12,5



13



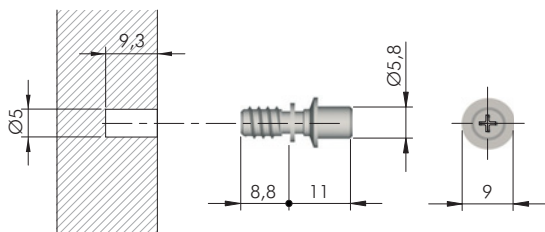
3500

10605010Z^N

8,5

9

3000



= Ø 5 mm

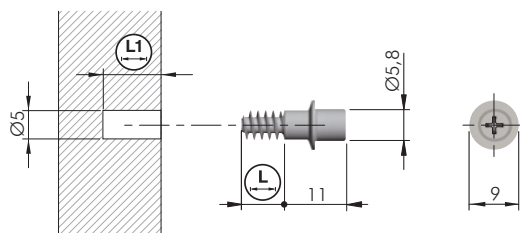
= PZ2

ST

= 2500 pcs.



10604010Z^N



= Ø 5 mm

= PZ2

ST

= 2500 pcs.



10606020Z^N



7,7



10,2

10606010Z^N

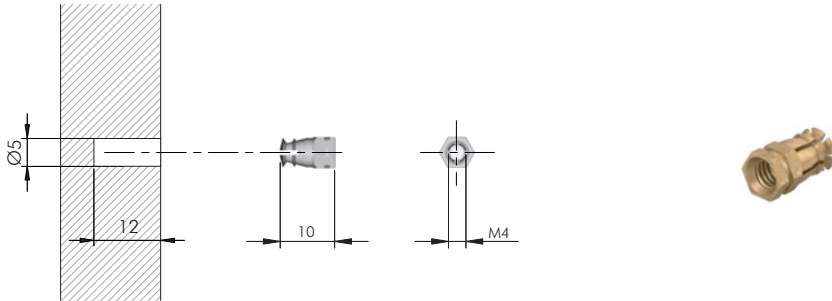
9,7




8,2


Note: Special threaded pin to avoid hole damaging for shelf repositioning.



FLIPPER-BI FIXING ACCESSORY

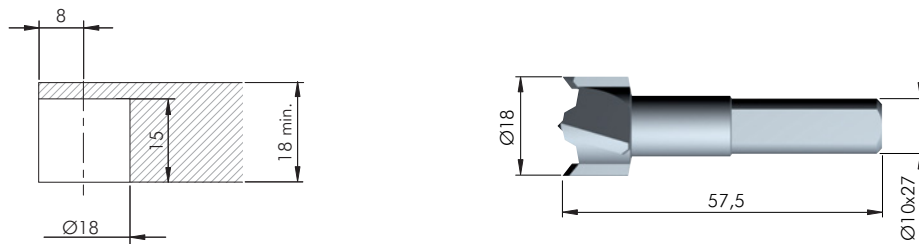


 = Ø 5 mm
 = M4
 = 20.000 pcs.

 123

 20502021HL

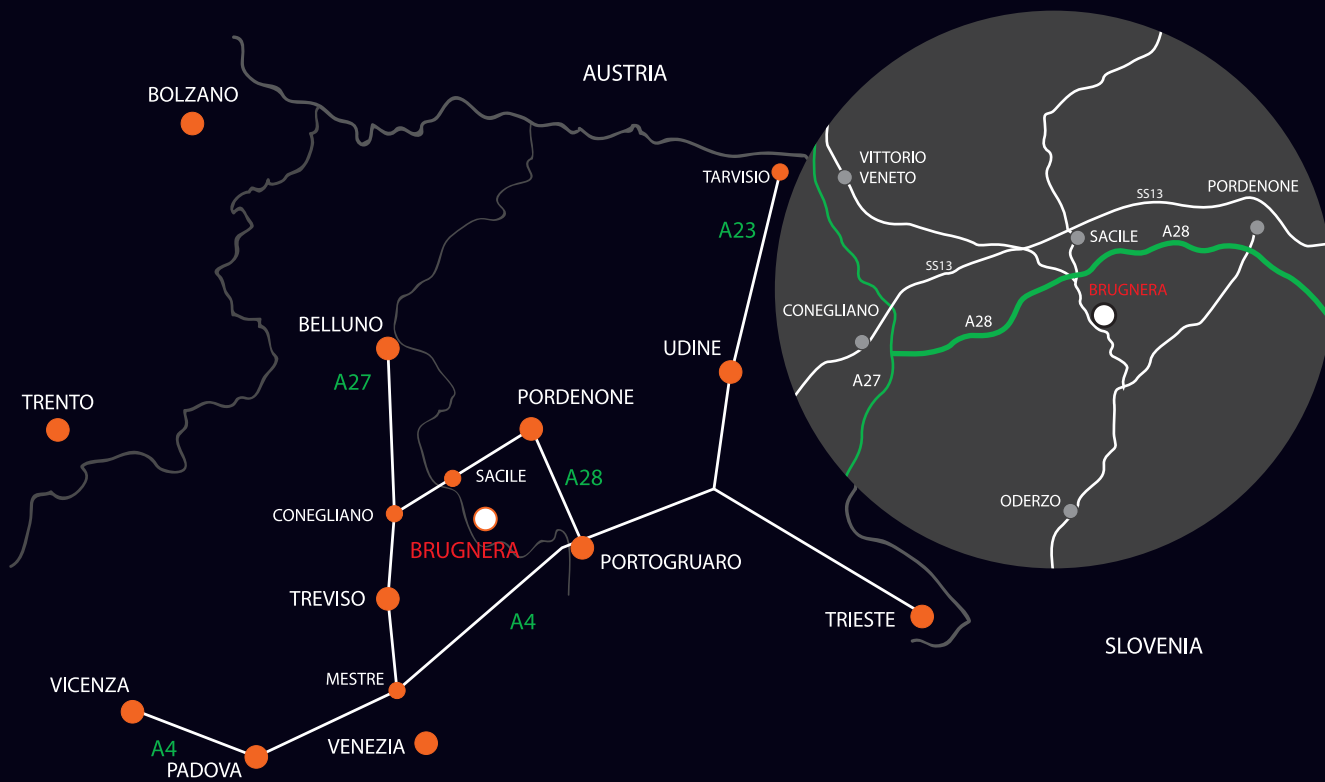
DRILL BIT FOR FLIPPER-BI



 HSS
 = on request

 123

 1145201000



www.italianaferramenta.com