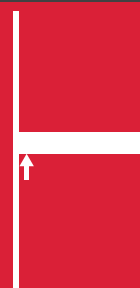


**KAIMAN**



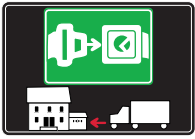
WOOD AND  
GLASS  
SHELVING  
SYSTEMS





# SYMBOLS AND FINISHES LEGEND

## SYMBOLS



= SHELF SAFELY LOCKED DURING TRANSPORTATION AND AT HOME.



= ANTI-TURNOVER LOCKING SYSTEM



= NORMS / PATENTS



= PHILLIPS / POZIDRIV



= NEWTON



= PART.NO



= HEXAGONAL SOCKET



= FRICTION



= PCS. PER PACKAGE



= BLADE SLOT



= AUTOMATIC



= COMBI SLOT



= DROP DOWN



= CAPACITY LOADING



= COUNTERSUNK HEAD



= WOOD / GLASS THICKNESS



= PAN HEAD



= STANDARD HINGE



= HOLE DIAMETER



= FLANGE HEAD



= KIMANA HINGE



= DIAMETER



= FLAT HEAD



= FLAP HINGE



= LENGTH



= TRILOBULAR SCREW



= WITH SPRING



= HEIGHT



= SELF-TAPPING SCREW



= WITHOUT SPRING



= RIGHT VERSION



= EURO THREAD



= REVERSED SPRING



= LEFT VERSION



= METRIC THREAD



= PRE-INSERTED SCREW



= FOR ROUND TUBE



= PCS. PER PAD



= PRE-INSERTED SCREW AND SPREADING BUSH



= FOR OVAL TUBE



= CUT ON REQUEST



= WITH BUFFER



= SELF ADHESIVE



= WITH MAGNET



= WITH FLANGE

## MATERIALS

<b>ZA</b> = Zinc Alloy	<b>ST</b> = Steel	<b>HSS</b> = High Speed Steel	<b>BR</b> = Brass	<b>ABS</b> = Acrylonitrile Butadiene Styrene
<b>ZAnk</b> = Nickel-plated Zinc Alloy	<b>STzk</b> = Zinc-plated Steel	<b>AL</b> = Aluminium	<b>WD</b> = Wood	<b>EVA</b> = Ethylene Vinyl Acetate

**EP** = **ENGINEERING PLASTIC**


+ **EP** = other engineering plastic available on request

**SR** = **SOFT RUBBER**

+ **SR** = other soft rubber available on request

<b>EPn</b> = Natural Engineering Plastic	<b>EPc</b> = Clear Engineering Plastic	<b>SRn</b> = Natural Soft Rubber
<b>EPw</b> = White Engineering Plastic	<b>EPg</b> = Grey Engineering Plastic	<b>SRw</b> = White Soft Rubber
<b>EPwg</b> = Water Green Engineering Plastic		<b>SRb</b> = Black Soft Rubber

## FINISHES

+  = OTHER FINISHES AVAILABLE ON REQUEST

PART. NO	FINISHES	PART. NO	FINISHES	PART. NO	FINISHES
AA	Natural	JB	Bright Aluminium	PZ	Beech
AB	White	JC	Aluminium - Chrome	QA	Maple
AC	Opal White	JD	Matt Aluminium	QB	Walnut
AE	White 9010	JE	Satin-finished Aluminium	WA	Bronzed
AK	Champagne	JF	Aluminium - Brass	WI	Burnished
AL	Ivory	JG	Aluminium 5	XD	Satin-finished Steel
EA	Black	JL	Aluminium PE 11	YA	Nickel-plated
EB	Glossy Black	JM	Aluminium RAL 9006	YB	Bright Nickel-plated
EC	Matt Black	KA	Chrome	YC	Matt Nickel-plated
GR	Raw	KB	Bright Chrome	YD	Satin-finished Nickel-plated
HA	Brass-Plated	KC	Matt Chrome	ZA	Zinc alloy
HH	Tropicalized	MA	Brown	ZN	Zinc-plated
HL	Raw Brass	MB	Light Brown 1	ZQ	Bright Gold
IA	Grey	NN	Metallic Beige	ZY	Titanium
IB	Metallic Grey	NO	Beige	ZZ	Clear
IF	Middle Grey	OA	Oak	00	Insignificant finish
IJ	Light Grey	OZ	Ash		
IL	Grey 20	PA	Light Ash		
JA	Aluminium	PY	Cherry		

## KAIMAN

**KAIMAN:** combined wall bracket and shelf support for glass shelf 7 to 19mm thick and wood shelf 18 to 41mm thick.


Can be fixed:

- to cement wall with rawplug  $\varnothing$  8mm and pan head screw  $\varnothing$  5x50mm.
  - to plaster board with umbrella fitting  $\varnothing$  8mm & pan head screw M4x46mm.
  - to wood panels 18mm thick with special designed spreading dowel and M6 bolt.
- Useful fixing method for aligning wall brackets and easy shelf inclination adjustment as required.

Capable of supporting a 25Kg load each (shelf weight included), for a shelf 320mm deep.

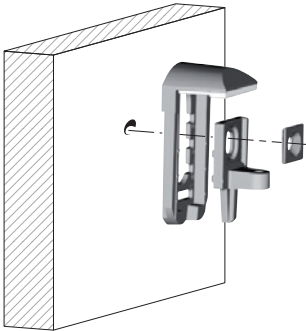
Zinc alloy  
Engineering plastic

7-41 mm 

25 kg for each shelf support  
for shelf 320 mm deep 

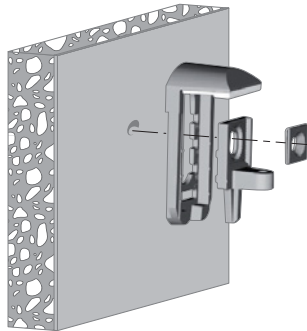
### INSTALLATION AND ADJUSTMENTS

#### WOOD PANEL



Recommended fixing countersunk screw type - head  $\varnothing$  5 mm max.

#### SOLID AND PLASTERBOARD WALLS

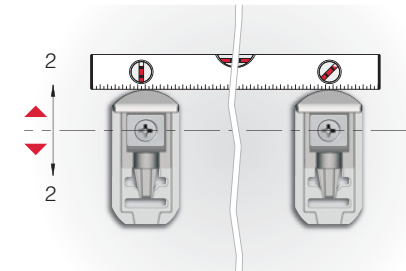


It is the responsibility of the customer:

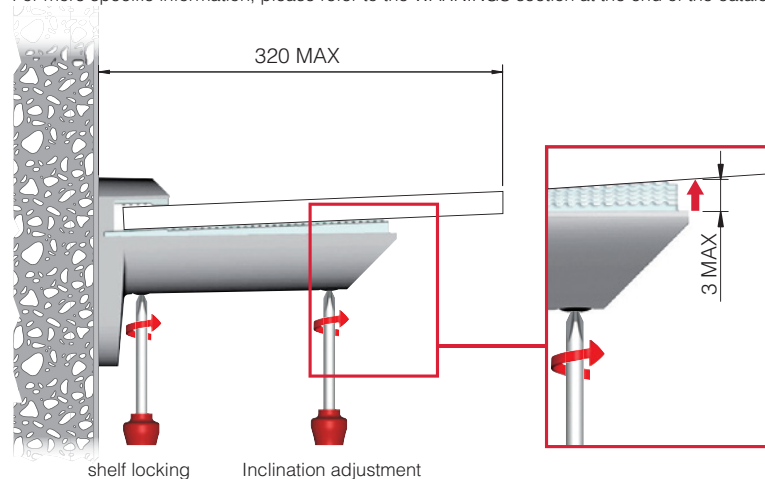
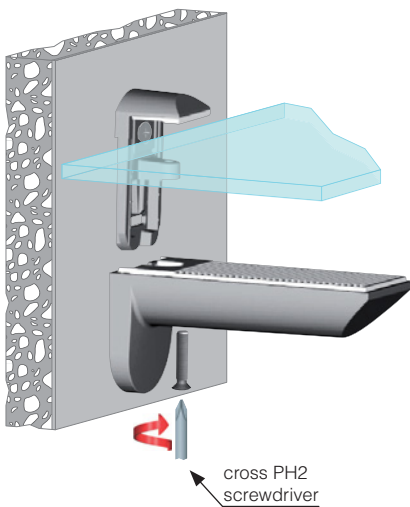
- to ensure that the wall is of a suitable quality to hold the shelf fixing in place.
- to use the proper hardware fittings according to the construction of the wall.

For more specific information, please refer to the WARNINGS section at the end of the catalogue.

#### BRACKET ALIGNMENT

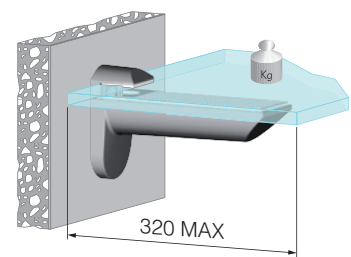
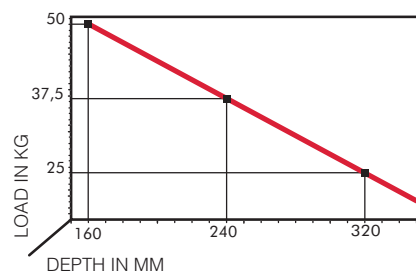


#### SHELF LOCKING AND INCLINATION ADJUSTMENT



#### COMBINATION SHELF LOAD AND SHELF DEPTH

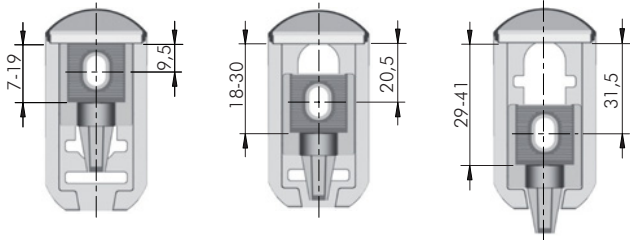
(The figures refer to 1 shelf support)



+ shelf weight = 25 kg MAX for each shelf support

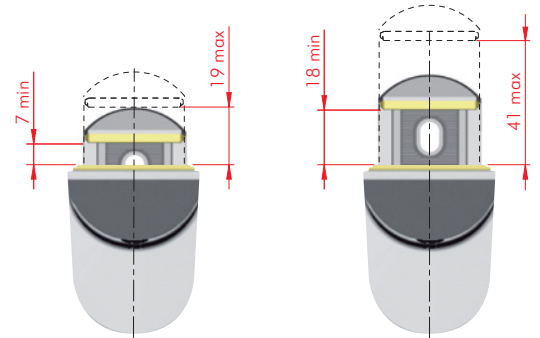


**POSITION OF THE RIDGE PLATE**

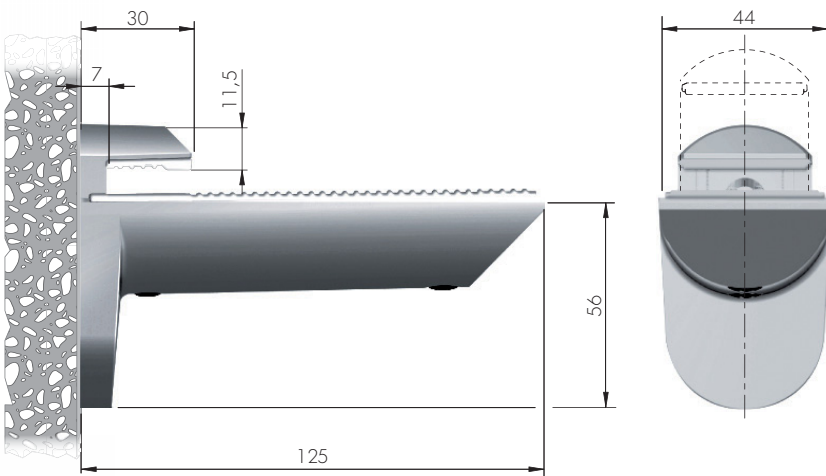


**Glass shelves**

**Wood and honeycomb shelves**



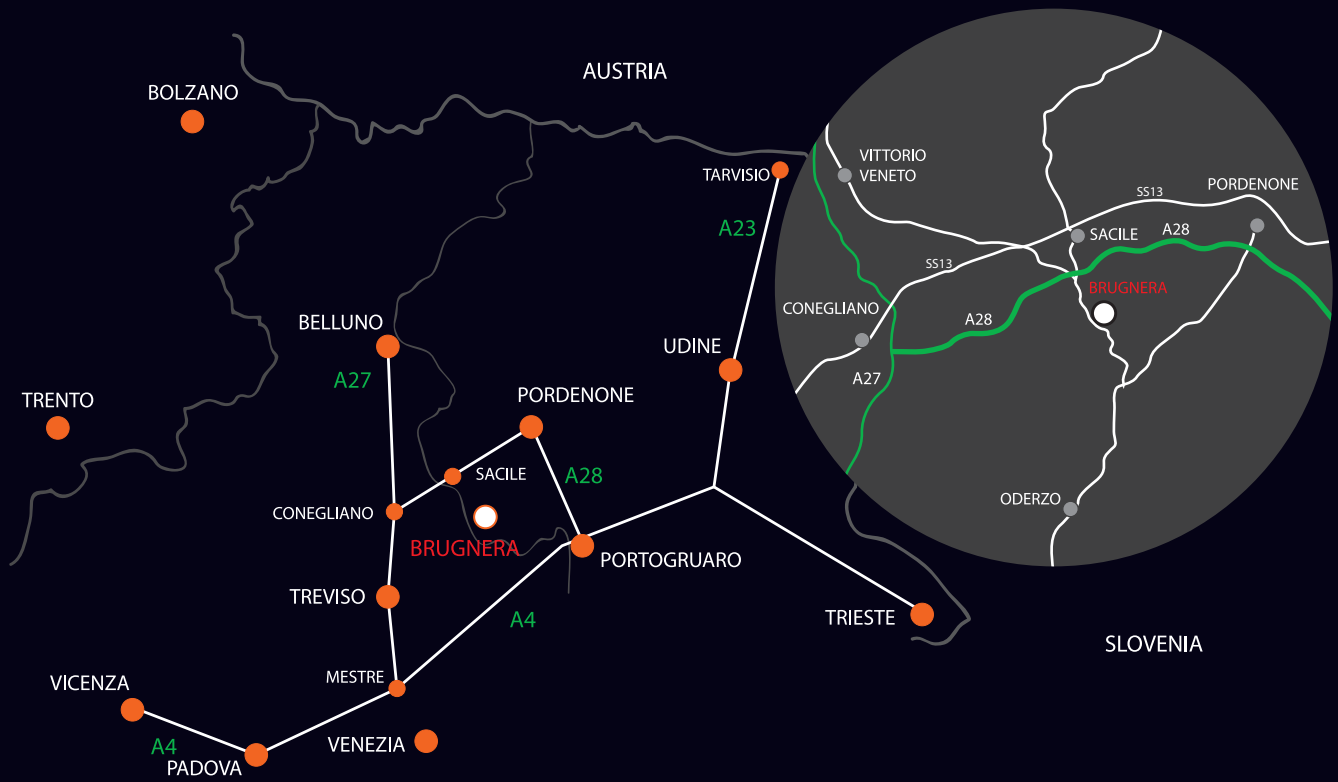
Shelf is clamped between a layer of ridged plastic on both the lower and upper side (coloured parts).



	= PH2	
		= 25 pairs
16102020 <b>JL</b>		
16102020 <b>YD</b>		
16102020 <b>KB</b>		
16102020 <b>ZQ</b>		

NOTE: KAIMAN is supplied in carton box including 2 pieces, accessories and fitting guide. Countersunk fixing screws Ø 5x50 and rawplugs Fischer SX Ø 8x40 to wall are included.





[www.italianaferramenta.com](http://www.italianaferramenta.com)