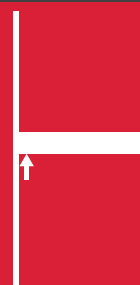


KALABRONE MAXI

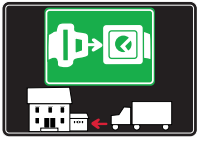


WOOD AND  
GLASS  
SHELVING  
SYSTEMS



# SYMBOLS AND FINISHES LEGEND

## SYMBOLS



= SHELF SAFELY LOCKED DURING TRANSPORT AND AT HOME.



= ANTI-TURNOVER LOCKING SYSTEM



= NORMS / PATENTS



= PHILLIPS / POZIDRIV



= NEWTON



= PART.NO



= HEXAGONAL SOCKET



= FRICTION



= PCS. PER PACKAGE



= BLADE SLOT



= AUTOMATIC



= COMBI SLOT



= DROP DOWN



= CAPACITY LOADING



= COUNTERSUNK HEAD



= WOOD / GLASS THICKNESS



= FLAT HEAD



= STANDARD HINGE



= HOLE DIAMETER



= PAN HEAD



= KIMANA HINGE



= DIAMETER



= SELF-TAPPING SCREW



= FLAP HINGE



= LENGTH



= EURO THREAD



= WITH SPRING



= HEIGHT



= METRIC THREAD



= WITHOUT SPRING



= PRE-INSERTED SCREW



= REVERSED SPRING



= RIGHT VERSION



= PRE-INSERTED SCREW AND SPREADING BUSH



= LEFT VERSION



= FOR ROUND TUBE



= WITH BUFFER



= CUT ON REQUEST



= FOR OVAL TUBE



= WITH MAGNET



= SELF ADHESIVE



= WITH FLANGE

# MATERIALS

- ST = Steel     
 STzk = Zinc-plated Steel     
 ZA = Zinc Alloy     
 ZAnk = Nickel-plated Zinc Alloy     
 WD = Wood  
AL = Aluminium     
 BR = Brass     
 EVA = Ethylene Vinyl Acetate     
 ABS = Acrylonitrile Butadiene Styrene

- EP = **ENGINEERING PLASTIC**     
 + EP = other engineering plastic available on request     
SR = **SOFT RUBBER**     
 + SR = other soft rubber available on request

- EPn = Natural Engineering Plastic     
EPc = Clear Engineering Plastic     
SRn = Natural Soft Rubber  
EPw = White Engineering Plastic     
EPg = Grey Engineering Plastic     
SRw = White Soft Rubber  
EPwg = Water Green Engineering Plastic     
SRb = Black Soft Rubber

-  **FINISHES**     
 +  = OTHER FINISHES AVAILABLE ON REQUEST

PART. NO	FINISHES	PART. NO	FINISHES	PART. NO	FINISHES
AA	Natural	JB	Bright Aluminium	PZ	Beech
AB	White	JC	Aluminium - Chrome	QA	Maple
AC	Opal White	JD	Matt Aluminium	QB	Walnut
AE	White 9010	JE	Satin-finished Aluminium	WA	Bronzed
AK	Champagne	JF	Aluminium - Brass	WI	Burnished
AL	Ivory	JG	Aluminium 5	XD	Satin-finished Steel
EA	Black	JL	Aluminium PE 11	YA	Nickel-plated
EB	Glossy Black	JM	Aluminium RAL 9006	YB	Bright Nickel-plated
EC	Matt Black	KA	Chrome	YC	Matt Nickel-plated
GR	Raw	KB	Bright Chrome	YD	Satin-finished Nickel-plated
HA	Brass-Plated	KC	Matt Chrome	ZA	Zinc alloy
HH	Tropicalized	MA	Brown	ZN	Zinc-plated
HL	Raw Brass	MB	Light Brown 1	ZQ	Bright Gold
IA	Grey	NN	Metallic Beige	ZZ	Clear
IB	Metallic Grey	NO	Beige	00	Insignificant finish
IF	Middle Grey	OA	Oak		
IJ	Light Grey	OZ	Ash		
IL	Grey 20	PA	Light Ash		
JA	Aluminium	PY	Cherry		

## KALABRONE MAXI

**KALABRONE MAXI** is the new shelf support for free-standing shelves created by Italiana Ferramenta Srl. Boasting a captivating design, it perfectly meets the actual market demands.

It is suitable for wood shelves from 25 to 50mm thick. Its solid structure guarantees a capacity loading of 25 kg for each support with a shelf 320mm deep.

**KALABRONE MAXI** comes with 2 adjustments:

- Vertical: through the oval hole positioned on the upper bracket
- Inclination: through an adjustable screw positioned on the main support

The soft element made of engineering plastic positioned on the upper bracket guarantees a perfect adhesion to the shelf, thus avoiding that the shelf is accidentally removed.

25-50 mm



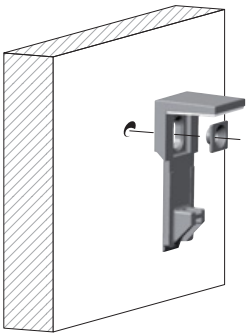
25 kg for each shelf support  
for shelf 320 mm deep



REGISTERED DESIGN

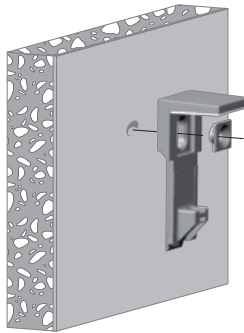


### WOOD PANEL



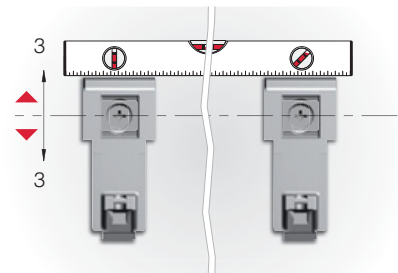
Recommended fixing countersunk screw type - head Ø 5 mm max.

### SOLID AND PLASTERBOARD WALLS

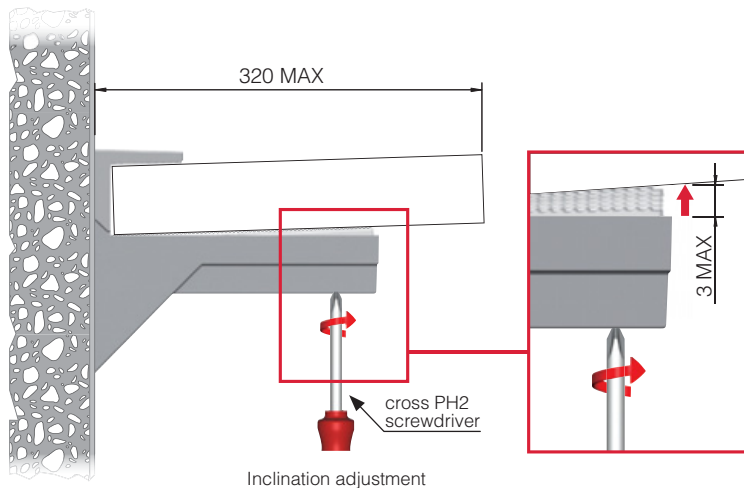
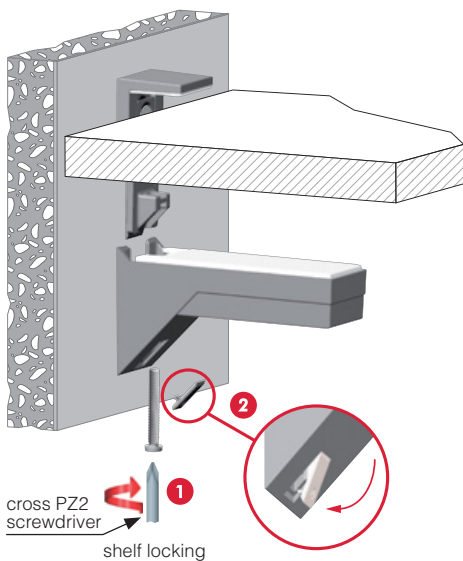


It is the responsibility of the customer:  
- to ensure that the wall is of a suitable quality to hold the shelf fixing in place.  
- to use the proper hardware fittings according to the construction of the wall.

### BRACKET ALIGNMENT

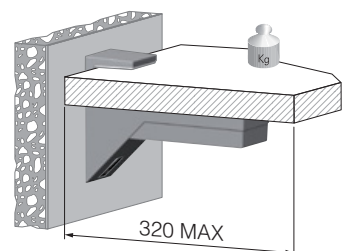
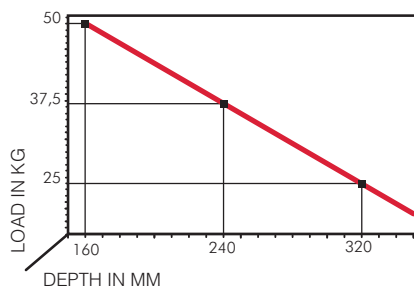


### SHELF LOCKING AND INCLINATION ADJUSTMENT



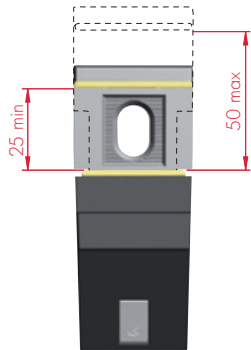
### COMBINATION SHELF LOAD AND SHELF DEPTH

(The figures refer to 1 shelf support)

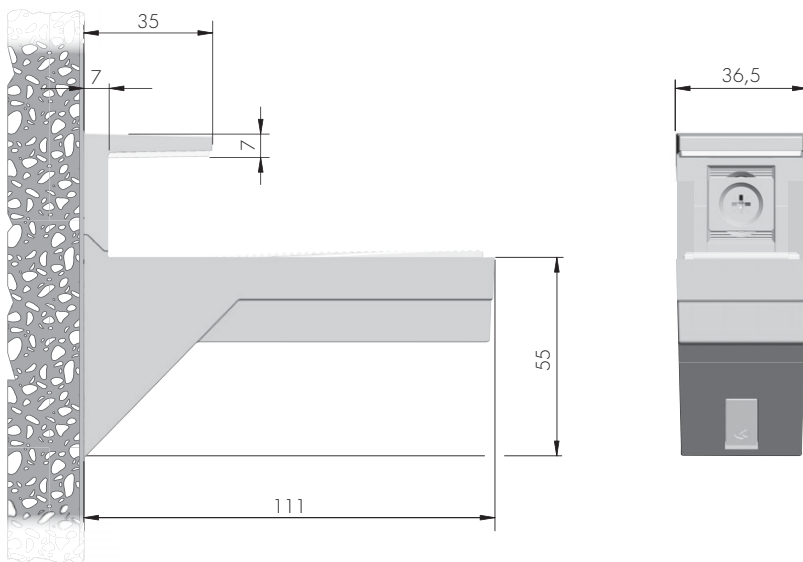


+ shelf weight = 25 kg MAX  
for each shelf support

## Wood and honeycomb shelves

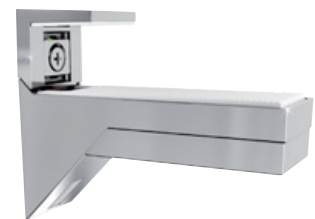


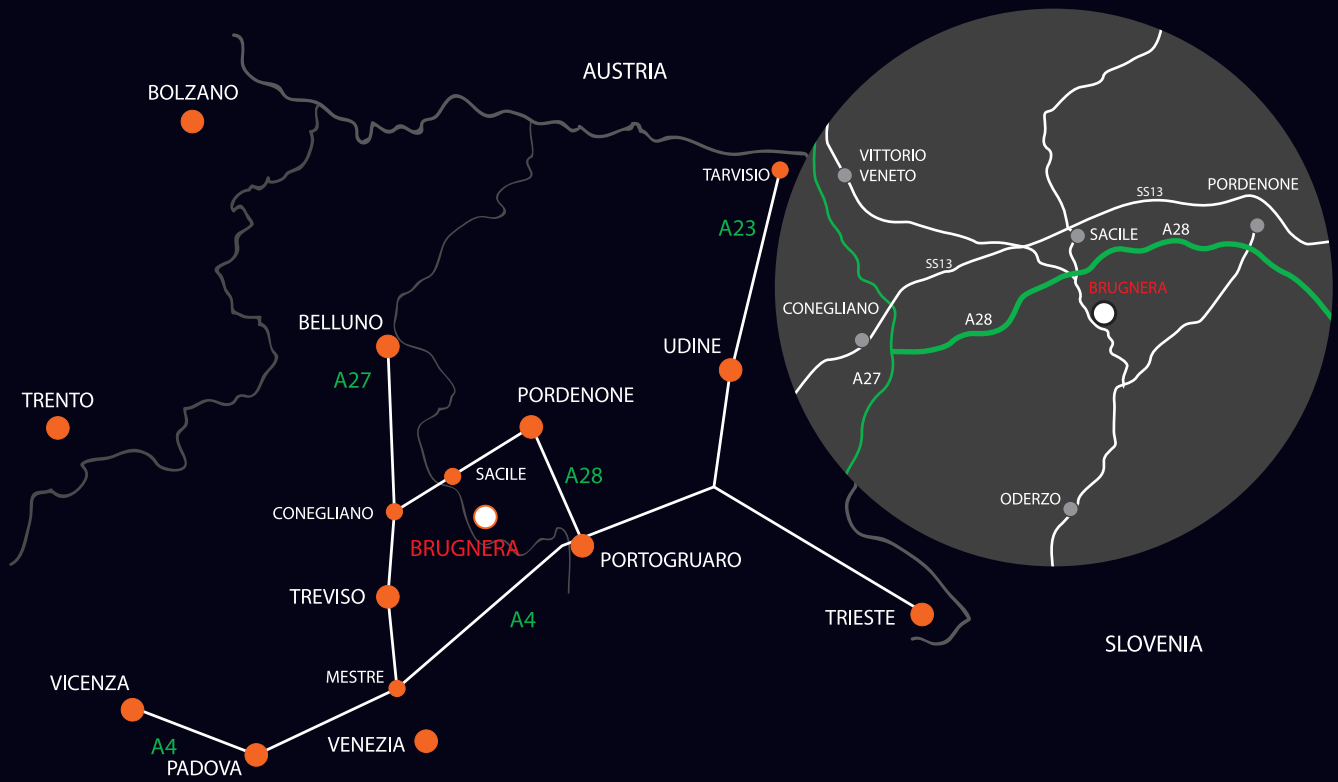
Shelf is clamped between a layer of ridged plastic on the lower side and soft rubber on the upper side (coloured parts).



	= PZ2 - PH2		
			= 24 pairs
16220030JM			
16220030YD			
16220030AE			
16220030KB			

NOTE: KALABRONE MAXI is supplied in carton box including 2 pieces, accessories and fitting guide. Fixing screws to wall not included.





[www.italianaferramenta.com](http://www.italianaferramenta.com)