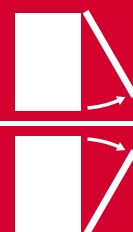
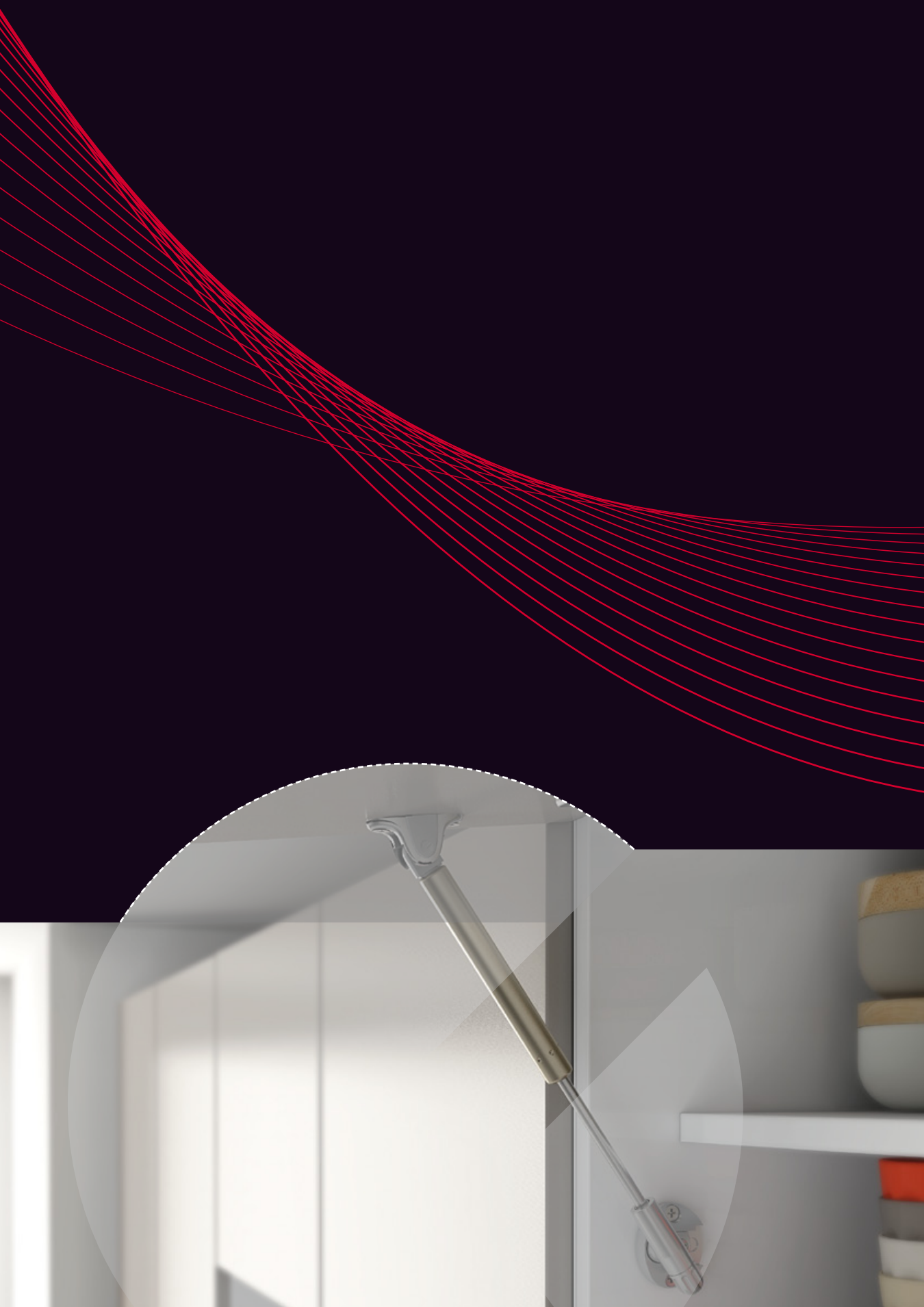


KRABY LID STAY SYSTEM



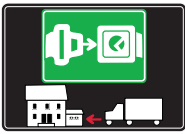
OPENING  
SYSTEMS  
FOR FLAP AND  
DROP DOWN  
DOORS





# SYMBOLS AND FINISHES LEGEND

## SYMBOLS



= SHELF SAFELY LOCKED DURING TRANSPORTATION AND AT HOME.



= ANTI-TURNOVER LOCKING SYSTEM



= NORMS / PATENTS



= PHILLIPS / POZIDRIV



= NEWTON



= PART.NO



= HEXAGONAL SOCKET



= FRICTION



= PCS. PER PACKAGE



= BLADE SLOT



= AUTOMATIC



= COMBI SLOT



= DROP DOWN



= CAPACITY LOADING



= COUNTERSUNK HEAD



= WOOD / GLASS THICKNESS



= PAN HEAD



= STANDARD HINGE



= HOLE DIAMETER



= FLANGE HEAD



= KIMANA HINGE



= DIAMETER



= FLAT HEAD



= FLAP HINGE



= LENGTH



= TRILOBULAR SCREW



= WITH SPRING



= HEIGHT



= SELF-TAPPING SCREW



= WITHOUT SPRING



= RIGHT VERSION



= EURO THREAD



= REVERSED SPRING



= LEFT VERSION



= METRIC THREAD



= SETTING CODE



= PRE-INSERTED SCREW



= FOR ROUND TUBE



= PCS. PER PAD



= PRE-INSERTED SCREW AND SPREADING BUSH



= FOR OVAL TUBE



= CUT ON REQUEST



= WITH BUFFER



= SELF ADHESIVE



= WITH MAGNET



= WITH FLANGE

NOTE: Printing errors and omissions may exist despite our best efforts to ensure accuracy. We reserve the right to alter specifications without notice.

## MATERIALS

**ZA** = Zinc Alloy

**ST** = Steel

**HSS** = High Speed Steel

**BR** = Brass

**ABS** = Acrylonitrile Butadiene Styrene

**ZAnk** = Nickel-plated Zinc Alloy

**STzk** = Zinc-plated Steel

**AL** = Aluminium

**WD** = Wood

**EVA** = Ethylene Vinyl Acetate

**EP** = **ENGINEERING PLASTIC**

+ **EP** = other engineering plastic available on request

**SR** = **SOFT RUBBER**

+ **SR** = other soft rubber available on request

**EPn** = Natural Engineering Plastic

**EPc** = Clear Engineering Plastic

**SRn** = Natural Soft Rubber

**EPw** = White Engineering Plastic

**EPg** = Grey Engineering Plastic

**SRw** = White Soft Rubber

**EPwg** = Water Green Engineering Plastic

**SRb** = Black Soft Rubber



## FINISHES



= OTHER FINISHES AVAILABLE ON REQUEST

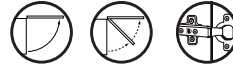
PART. NO	FINISHES	PART. NO	FINISHES	PART. NO	FINISHES
AA	Natural	JB	Bright Aluminium	QB	Walnut
AB	White	JC	Aluminium - Chrome	RO	Red
AC	Opal White	JD	Matt Aluminium	UZ	T -Met
AE	White 9010	JE	Satin-finished Aluminium	WA	Bronzed
AK	Champagne	JF	Aluminium - Brass	WI	Burnished
AL	Ivory	JG	Aluminium 5	XD	Satin-finished Steel
EA	Black	JL	Aluminium PE 11	YA	Nickel-plated
EB	Glossy Black	JM	Aluminium RAL 9006	YB	Bright Nickel-plated
EC	Matt Black	KA	Chrome	YC	Matt Nickel-plated
EE	Anthracite	KB	Bright Chrome	YD	Satin-finished Nickel-plated
FU	Gunmetal	KC	Matt Chrome	ZA	Zinc alloy
GR	Raw	MA	Brown	ZN	Zinc-plated
HA	Brass-Plated	MB	Light Brown 1	ZQ	Bright Gold
HH	Tropicalized	NN	Metallic Beige	ZY	Titanium
HL	Raw Brass	NO	Beige	ZZ	Clear
IA	Grey	OA	Oak	00	Insignificant finish
IB	Metallic Grey	OZ	Ash		
IF	Middle Grey	PA	Light Ash		
IJ	Light Grey	PZ	Beech		
IL	Grey 20	QA	Maple		

# CONTENTS

<b>SHELF SUPPORTS</b>			<b>1</b>
SECURY PALETTA .....	1.1	FLIPPER-BI .....	1.12
MINISECURITY .....	1.1	UNICO .....	1.16
PULL-IN CORNER BRACKET .....	1.3	SPRING .....	1.19
K LINE .....	1.4	KERALA .....	1.21
DUAL .....	1.6	MAORI .....	1.23
SHELF RETAINER .....	1.7	TRIS .....	1.30
FLIPPER .....	1.8	TRIS SIDE BRACKET ROUND LEDGE .....	1.37
PK2 .....	1.42	PK2 SIDE BRACKET ROUND LEDGE .....	1.53
BLITZ .....	1.57	BLITZ SIDE BRACKET ROUND LEDGE .....	1.64
POKER .....	1.67	SECRET MAXI .....	1.77
<b>GLASS SHELF SUPPORTS</b>			<b>2</b>
DREAM .....	2.1	ATAK .....	2.5
K LINE .....	2.2	GEKO .....	2.6
VERY .....	2.4	KRISTAL .....	2.7
OR .....	2.4	COBRA .....	2.11
<b>WOOD AND GLASS SHELVING SYSTEMS</b>			<b>3</b>
KAIMAN .....	3.1	COBRONE .....	3.10
KAIMAN MAXI .....	3.3	TRIADE MINI .....	3.12
KALABRONE .....	3.5	TRIADE MINI AND BRACKET .....	3.14
KALABRONE MAXI .....	3.7	TRIADE .....	3.16
KALABRONE MINI .....	3.9	TRIADE AND BRACKET .....	3.18
TRIADE MAXI .....	3.20	TRIADE MAXI AND BRACKET .....	3.22
TRIADE XXL .....	3.24	TRIADE XXL AND BRACKET .....	3.26
APPLICATION FOR ALL TRIADE VERSIONS .....	3.28		
<b>CONNECTINGS</b>			<b>4</b>
INSERT NUTS .....	4.1	SLEEVE NUTS AND CONNECTING SCREWS .....	4.6
SPREADING DOWELS .....	4.2	PULL-IN CORNER BRACKET .....	4.7
DOWELS .....	4.3	IN FRAME DOOR (DOOR STOP AND CORNER BRACKET) .....	4.8
SLEEVES .....	4.4	PAD .....	4.10
FLAT HEAD SLEEVE NUT AND CONNECTING SCREW .....	4.5	CROSS DOWELS .....	4.11
CAMS AND DOWELS .....	4.20	ELEFANT .....	4.27
SPIRAL LOCK .....	4.31	VIS .....	4.34
PLINTH CLIPS .....	4.37		
<b>WORKTOP CONNECTORS</b>			<b>5</b>
QUICK .....	5.1	BOX FOR QUICK Ø30 .....	5.5
<b>SCREWS</b>			<b>6</b>
COUNTERSUNK HEAD WOOD SCREWS .....	6.1	FLANGE HEAD METRIC SCREWS .....	6.3
PAN HEAD WOOD SCREWS .....	6.1	COUNTERSUNK HEAD METRIC SCREWS .....	6.3
EURO SCREWS .....	6.2	ONE PIECE CONNECTOR SCREWS .....	6.4
ALLEN WRENCHES .....	6.6		
<b>DOOR BUFFERS AND COVER CAPS</b>			<b>7</b>
BI-MATERIAL .....	7.1	DOOR BUFFERS .....	7.2
SOFT .....	7.1	COVER CAPS .....	7.6
K-FLEX .....	7.2	ECCENTRIC HOUSING COVER CAPS .....	7.8
NIKO .....	7.9	ADHESIVE HOLE COVERS .....	7.10
<b>OPENING SYSTEMS FOR LIFT UP AND DROP DOWN DOORS</b>			<b>8</b>
KRABY LIFT UP WITH STANDARD HINGES .....	8.1	COMPACT DROP DOWN W/STANDARD HINGES .....	8.50
KRABY LIFT UP W/STANDARD HINGES AND K PUSH TECH .....	8.9	COMPACT DROP DOWN W/KIMANA HINGES AND MAGNET K LOCK .....	8.54
KRABY DROP DOWN WITH STANDARD HINGES .....	8.12	COMPACT DROP DOWN W/FLAP HINGES AND MAGNET K LOCK .....	8.58
KRABY DROP DOWN W/KIMANA HINGES AND MAGNET K LOCK .....	8.16	COMPACT DROP DOWN W/STANDARD HINGES AND K PUSH TECH .....	8.61
KRABY DROP DOWN W/FLAP HINGES AND MAGNET K LOCK .....	8.20	COMPACT DROP DOWN W/KIMANA HINGES AND K PUSH TECH .....	8.64
KRABY DROP DOWN W/STANDARD HINGES AND K PUSH TECH .....	8.23	COMPACT DROP DOWN W/FLAP HINGES AND K PUSH TECH .....	8.68
KRABY DROP DOWN W/KIMANA HINGES AND K PUSH TECH .....	8.26	COMPACT BRACKETS .....	8.71
KRABY DROP DOWN W/FLAP HINGES AND K PUSH TECH .....	8.30	COMPACT ADAPTERS FOR ALUMINIUM FRAME DOOR .....	8.72
KRABY BRACKETS .....	8.33	K12 SYSTEM LIFT UP WITH STANDARD HINGES .....	8.76
KRABY ADAPTERS FOR ALUMINIUM FRAME DOOR .....	8.35	K12 SYSTEM BRACKETS .....	8.80
COMPACT LIFT UP WITH STANDARD HINGES .....	8.39	K12 SYSTEM LIFT UP W/STANDARD HINGES AND K PUSH TECH .....	8.82
COMPACT LIFT UP W/STANDARD HINGES AND K PUSH TECH .....	8.47	K12 SYSTEM DROP DOWN WITH STANDARD HINGES .....	8.85
K12 SYSTEM BRACKETS .....	8.89	K12 SYSTEM DROP DOWN W/KIMANA HINGES AND MAGNET K LOCK .....	8.91
K12 SYSTEM DROP DOWN W/FLAP HINGES AND MAGNET K LOCK .....	8.95	K12 SYSTEM DROP DOWN W/STANDARD HINGES AND K PUSH TECH .....	8.98
K12 SYSTEM DROP DOWN W/STANDARD HINGES AND K PUSH TECH .....	8.101	K12 SYSTEM DROP DOWN W/FLAP HINGES AND K PUSH TECH .....	8.105
K12 SYSTEM DROP DOWN W/FLAP HINGES AND K PUSH TECH .....	8.108	K12 SYSTEM ADAPTERS FOR ALUMINIUM FRAME DOOR .....	8.112
LINK .....	8.112		
<b>PUSH CATCHES AND MAGNETIC CATCHES</b>			<b>9</b>
K PUSH TECH .....	9.1	K LOCK .....	9.11
K PUSH TECH AND K LOCK DOOR PLATES .....	9.14		
<b>LEVELLERS</b>			<b>10</b>
INTEGRATO WITH ZINC ALLOY FOOT .....	10.1	DEDALO .....	10.20
INTEGRATO WITH ENGINEERING PLASTIC FOOT .....	10.7	LEVELLER Ø14 .....	10.23
INTEGRATO SPACERS .....	10.16	REKORD 12 .....	10.28
INTEGRATO Z .....	10.18	ATACAMA .....	10.34
ATACAMA J .....	10.38	ATACAMA J WITH HEIGHT ADAPTER .....	10.43
<b>HINGES</b>			<b>11</b>
KIMANA .....	11.1	KIMANA ADAPTERS .....	11.5
KIMANA SPACERS .....	11.7		
<b>HANGERS</b>			<b>12</b>
LIBRA HANGING SYSTEM LIVING SETTINGS .....	12.1	LIBRA H6 AND LBRA CH LIVING SETTINGS .....	12.20
LIBRA H1 - H2 - H3 - H4 LIVING SETTINGS .....	12.2	LIBRA CH .....	12.21
LIBRA H1 .....	12.3	LIBRA H7 APPLICATIONS .....	12.24
LIBRA H2 .....	12.5	LIBRA H7 SCREW FIXING LIVING SETTINGS .....	12.26
LIBRA H3 .....	12.8	LIBRA H7 SCREW FIXING .....	12.27
LIBRA H4 .....	12.11	LIBRA H7 DOWEL FIXING W/ALUMINIUM BAR LIVING SETTINGS .....	12.30
LIBRA H6 AND LIBRA CH APPLICATIONS .....	12.14	LIBRA H7 DOWEL FIXING W/ALUMINIUM BAR .....	12.31
LIBRA H6 LIVING SETTINGS .....	12.16	SPACERS FOR LIBRA H7 ALU BAR H. 80,5 .....	12.40
LIBRA H6 .....	12.17	LIBRA H7 SCREW FIXING W/"PEG JOINT" FOR ALUMINIUM BAR .....	12.41
LIBRA H7 DOWEL FIXING WITHOUT "PEG JOINT" .....	12.43	LIBRA H7 AND LIBRA CH LIVING SETTINGS .....	12.45
LIBRA H7 AND LIBRA CH LIVING SETTINGS .....	12.46	LIBRA H7 AND LIBRA CH APPLICATIONS .....	12.46
LIBRA WALL PLATES .....	12.48	LIBRA WALL PLATES .....	12.48
LIBRA COVER CAPS .....	12.50	LIBRA COVER CAPS .....	12.50
LIBRA BS APPLICATIONS .....	12.52	LIBRA BS APPLICATIONS .....	12.52
LIBRA BS .....	12.54	LIBRA BS .....	12.54
LIBRA BS LEVELLER .....	12.65	LIBRA BS LEVELLER .....	12.65
LIKU .....	12.69	LIKU .....	12.69
<b>WARDROBE TUBES SUPPORTS</b>			<b>13</b>
WARDROBE TUBES SUPPORTS .....	13.1	ELITE .....	13.2
LEADER .....	13.3		



## KRABY LIFT UP WITH STANDARD SPRUNG HINGES



PATENTED  
UNI 8607/05 Level 5 

### INSTALLATION

- For details refer to "KRABY BRACKETS".

recommended fixing  
countersunk head wood  
screws Ø4x16 mm

#### VERY IMPORTANT

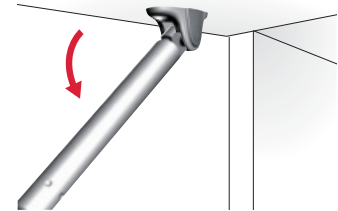
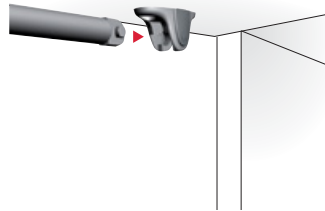
The door bracket has to be placed in vertical position with the slot facing forwards.



recommended fixing countersunk  
head wood screws Ø4x16 mm

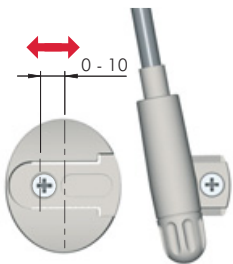
#### VERY IMPORTANT

The side bracket has to be placed with the slot in horizontal position and the open end facing the wall.

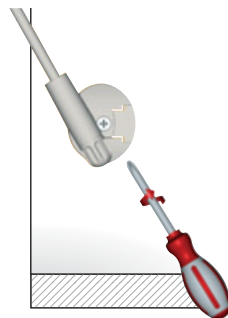


### ADJUSTMENTS

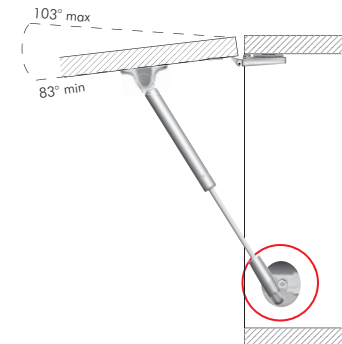
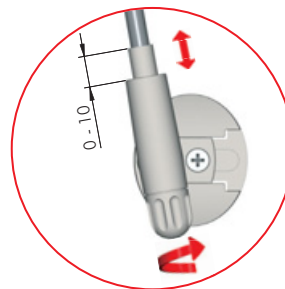
FRONT TO BACK ADJUSTMENT 0 - 10 mm



LOCKING



OPEN ANGLE ADJUSTMENT 0 - 10 mm



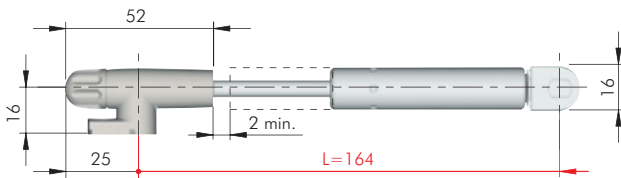
### FRONT TO BACK ADJUSTMENT

The opening and closing of the door can be changed by adjusting the position of the piston base plate within the slot:

- **Forwards adjustment** = the door opens automatically later (automatic stay only) and closes automatically in advance (both stays automatic and friction).
- **Backwards adjustment** = the door opens automatically in advance (automatic stay only) and closes automatically later (both stays automatic and friction).



## KRABY 164 mm - LIFT UP - Friction version

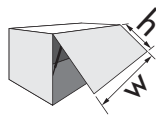


ZAnk EP ST

= 100 pcs.

123  
42001010NN  
42002010NN

**N**  
45  
60

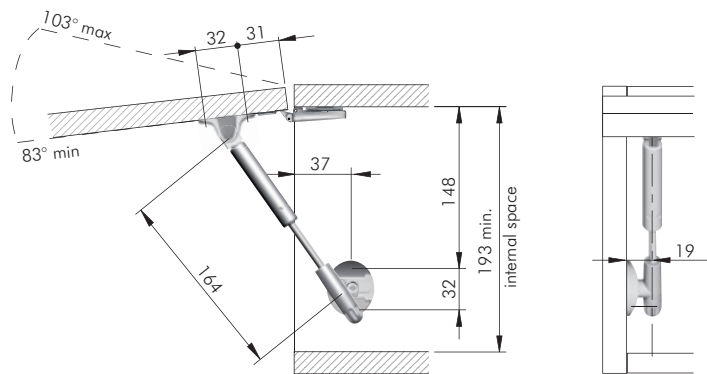
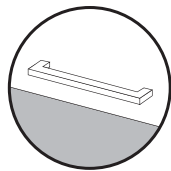


h	w	450		600		900		1200	
		Kg	Kraby	Kg	Kraby	Kg	Kraby	Kg	Kraby
230-250		1,2 - 1,3	1 x 45 N	1,6 - 1,8	1 x 45 N	2,4 - 2,6	2 x 45 N	3,2 - 3,5	2 x 45 N
251-300		1,3 - 1,6	1 x 45 N	1,8 - 2,1	2 x 45 N	2,6 - 3,2	2 x 45 N	3,5 - 4,2	2 x 60 N

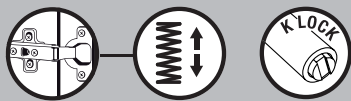
Further newton strengths available on request.

The above chart refers to chipboard or MDF 18 mm doors and aluminium frame doors with glass 4 mm thick. These are experimental results to be checked by the customer. Our Technical Department is at your disposal to test further cases out of this chart.

8



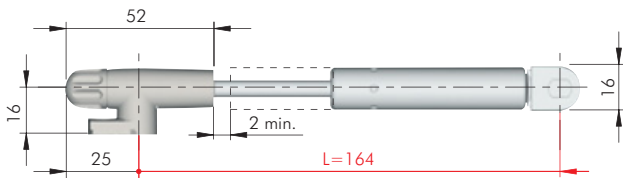
The dimensions of the above drilling plan refer to carcasses which use **standard sprung or unsprung hinges** and mounting plates 0 mm. Please note that min and max opening angle shown data is purely indicative. It varies with respect to the hinge brand and adjustment carried out.




Please note that in case of use of **negative hinges**, **magnet K Lock** is required. For details refer to section "PUSH CATCHES & MAGNETIC CATCHES".





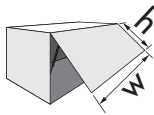
## KRABY 164 mm - LIFT UP - Automatic version



ZAnk EP ST

 = 100 pcs.

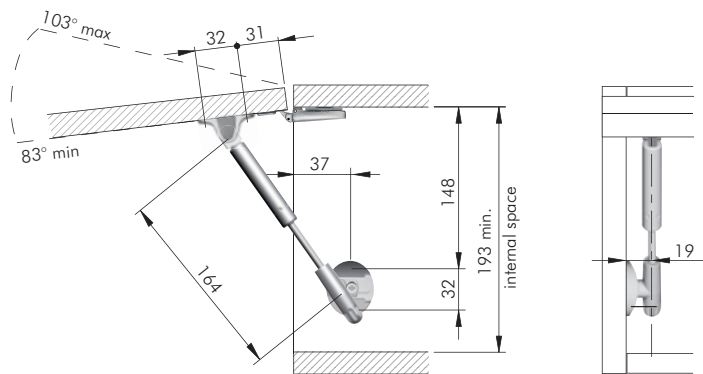
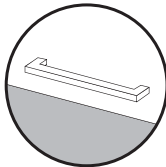
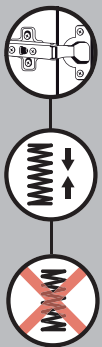
	
42101010NN	50
42102010NN	80
42103010NN	120



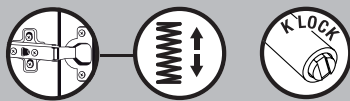
h	w	450		600		900		1200	
		Kg	Kraby	Kg	Kraby	Kg	Kraby	Kg	Kraby
230-250		1,2 - 1,3	1 x 80 N	1,6 - 1,8	1 x 80 N	2,4 - 2,6	2 x 50 N	3,2 - 3,5	2 x 80 N
251-300		1,3 - 1,6	1 x 80 N	1,8 - 2,1	2 x 50 N	2,6 - 3,2	2 x 80 N	3,5 - 4,2	2 x 80 N

Further newton strengths available on request.

The above chart refers to chipboard or MDF 18 mm doors and aluminium frame doors with glass 4 mm thick. These are experimental results to be checked by the customer. Our Technical Department is at your disposal to test further cases out of this chart.



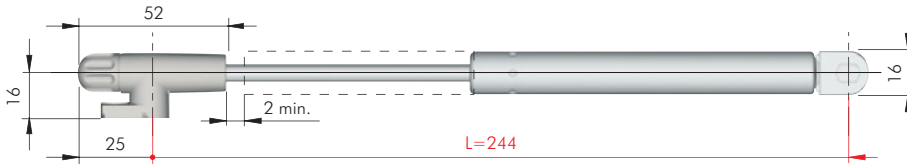
The dimensions of the above drilling plan refer to carcasses which use **standard sprung or unsprung hinges** and mounting plates 0 mm. Please note that min and max opening angle shown data is purely indicative. It varies with respect to the hinge brand and adjustment carried out.



Please note that in case of use of **negative hinges**, **magnet K Lock** is required. For details refer to section "PUSH CATCHES & MAGNETIC CATCHES".



## KRABY 244 mm - LIFT UP - Friction version

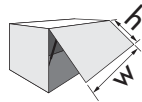


ZAnk EP ST

= 100 pcs.



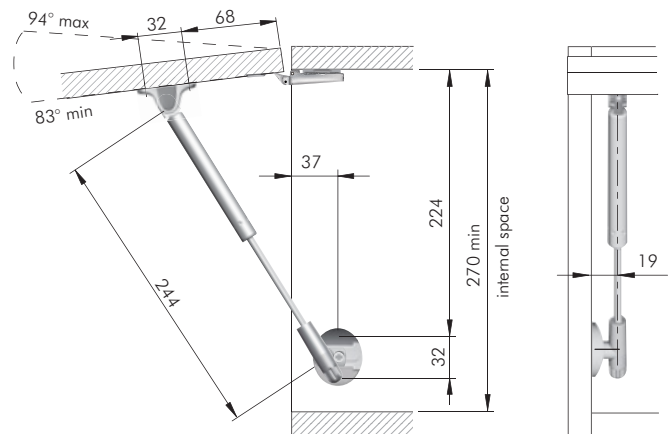
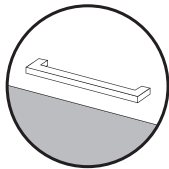
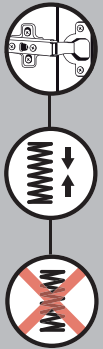
42011010NN	45
42012010NN	60
42013010NN	90
42014010NN	120



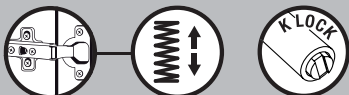
h	W	450		600		900		1200		1500	
		Kg	Kraby	Kg	Kraby	Kg	Kraby	Kg	Kraby	Kg	Kraby
300-350	1,6 - 1,8	1 x 45 N	2,1 - 2,5	1 x 60 N	3,2 - 3,7	2 x 45 N	4,2 - 4,9	2 x 45 N	5,3 - 6,1	2 x 60 N	
351-400	1,8 - 2,1	1 x 45 N	2,5 - 2,8	1 x 60 N	3,7 - 4,2	2 x 45 N	4,9 - 5,6	2 x 60 N	6,1 - 7,0	2 x 90 N	
401-450	2,1 - 2,4	1 x 60 N	2,8 - 3,2	2 x 45 N	4,2 - 4,7	2 x 60 N	5,6 - 6,3	2 x 90 N	7,0 - 7,9	2 x 90 N	
451-500	2,4 - 2,6	2 x 45 N	3,2 - 3,5	2 x 60 N	4,7 - 5,3	2 x 60 N	6,3 - 7,0	2 x 120 N			

Further newton strengths available on request.

The above chart refers to chipboard or MDF 18 mm doors and aluminium frame doors with glass 4 mm thick. These are experimental results to be checked by the customer. Our Technical Department is at your disposal to test further cases out of this chart.



The dimensions of the above drilling plan refer to carcasses which use **standard sprung or unsprung hinges** and mounting plates 0 mm. Please note that min and max opening angle shown data is purely indicative. It varies with respect to the hinge brand and adjustment carried out.

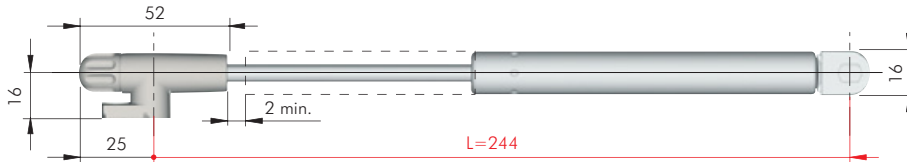


Please note that in case of use of **negative hinges**, **magnet K Lock** is required. For details refer to section "PUSH CATCHES & MAGNETIC CATCHES".








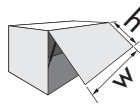
## KRABY 244 mm - LIFT UP - Automatic version



ZAnk EP ST

 = 100 pcs.

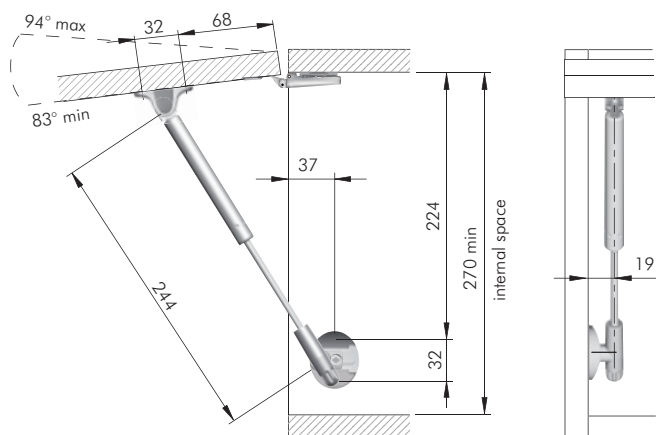
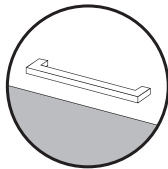
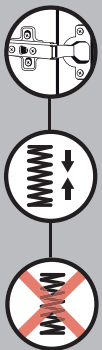
		
42110010NN		50
42111010NN		80
42112010NN		100
42113010NN		120



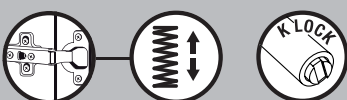
h	w	450		600		900		1200		1500	
		Kg	Kraby	Kg	Kraby	Kg	Kraby	Kg	Kraby	Kg	Kraby
300-350	1,6 - 1,8	1 x 80 N	2,1 - 2,5	1 x 80 N	3,2 - 3,7	2 x 80 N	4,2 - 4,9	2 x 80 N	5,3 - 6,1	2 x 100 N	
351-400	1,8 - 2,1	1 x 80 N	2,5 - 2,8	2 x 50 N	3,7 - 4,2	2 x 80 N	4,9 - 5,6	2 x 100 N	6,1 - 7,0	2 x 120 N	
401-450	2,1 - 2,4	2 x 50 N	2,8 - 3,2	2 x 80 N	4,2 - 4,7	2 x 100 N	5,0 - 6,3	2 x 120 N	7,0 - 7,9	2 x 120 N	
451-500	2,4 - 2,6	2 x 80 N	3,2 - 3,5	2 x 80 N	4,7 - 5,3	2 x 120 N					

Further newton strengths available on request.

The above chart refers to chipboard or MDF 18 mm doors and aluminium frame doors with glass 4 mm thick. These are experimental results to be checked by the customer. Our Technical Department is at your disposal to test further cases out of this chart.



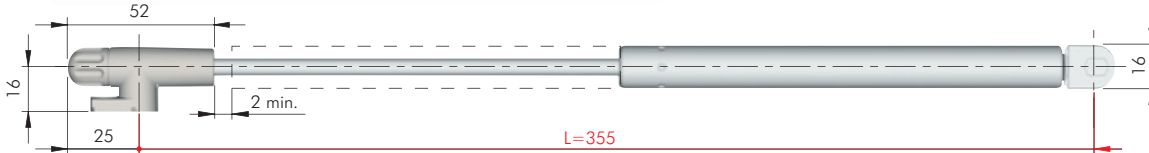
The dimensions of the above drilling plan refer to carcasses which use **standard sprung or unsprung hinges** and mounting plates 0 mm. Please note that min and max opening angle shown data is purely indicative. It varies with respect to the hinge brand and adjustment carried out.



Please note that in case of use of **negative hinges**, **magnet K Lock** is required. For details refer to section "PUSH CATCHES & MAGNETIC CATCHES".



## KRABY 355 mm - LIFT UP - Friction version

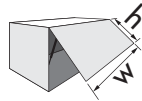


ZAnk EP ST

= 100 pcs.



42030010NN	45
42031010NN	60
42032010NN	90
42033010NN	120

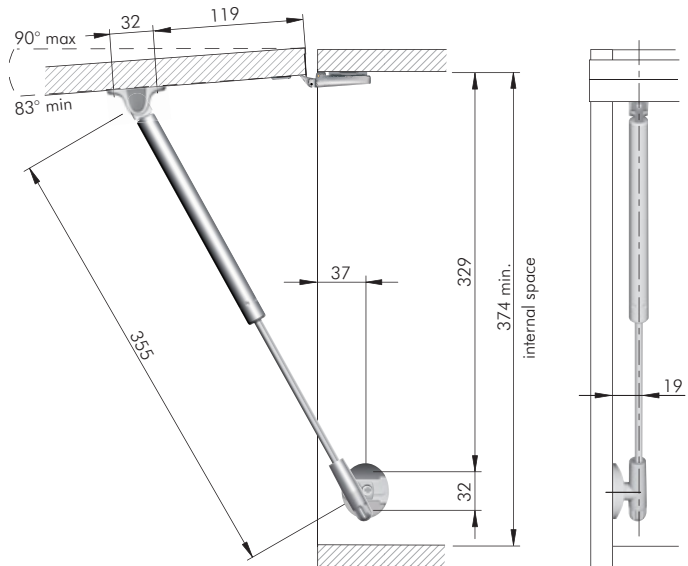
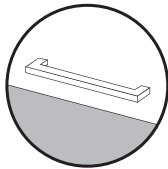
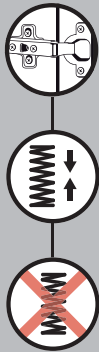


h	450		600		900		1200		1500		1800	
	Kg	Kraby	Kg	Kraby	Kg	Kraby	Kg	Kraby	Kg	Kraby	Kg	Kraby
400-450	2,1-2,4	1 x 60 N	2,8-3,2	2 x 45 N	4,2-4,7	2 x 45 N	5,6-6,3	2 x 60 N	7,0-7,9	2 x 60 N	8,4-9,5	2 x 90 N
451-500	2,4-2,6	1 x 60 N	3,2-3,5	2 x 45 N	4,7-5,3	2 x 45 N	6,3-7,0	2 x 60 N	7,9-8,8	2 x 90 N	9,5-10,5	2 x 90 N
501-550	2,6-2,9	1 x 60 N	3,5-3,9	2 x 45 N	5,3-5,8	2 x 60 N	7,0-7,7	2 x 90 N	8,8-9,7	2 x 90 N	10,5-11,6	2 x 120 N
551-600	2,9-3,2	2 x 45 N	3,9-4,2	2 x 60 N	5,8-6,3	2 x 60 N	7,7-8,4	2 x 90 N	9,7-10,5	2 x 120 N		
601-650	3,2-3,4	2 x 45 N	4,2-4,6	2 x 60 N	6,3-6,8	2 x 90 N	8,4-9,1	2 x 120 N				
651-700	3,4-3,7	2 x 45 N	4,6-4,9	2 x 60 N	6,8-7,4	2 x 90 N	9,1-9,8	2 x 120 N				

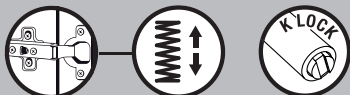
Further newton strengths available on request.

The above chart refers to chipboard or MDF 18 mm doors and aluminium frame doors with glass 4 mm thick. These are experimental results to be checked by the customer. Our Technical Department is at your disposal to test further cases out of this chart.

8



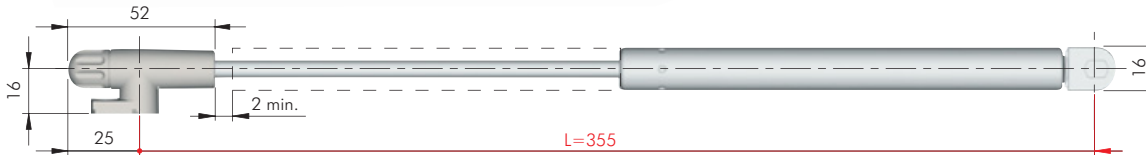
The dimensions of the above drilling plan refer to carcasses which use **standard sprung or unsprung hinges** and mounting plates 0 mm. Please note that min and max opening angle shown data is purely indicative. It varies with respect to the hinge brand and adjustment carried out.



Please note that in case of use of **negative hinges**, **magnet K Lock** is required. For details refer to section "PUSH CATCHES & MAGNETIC CATCHES".



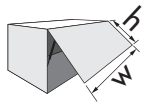
## KRABY 355 mm - LIFT UP - Automatic version



ZAnk EP ST

 = 100 pcs.

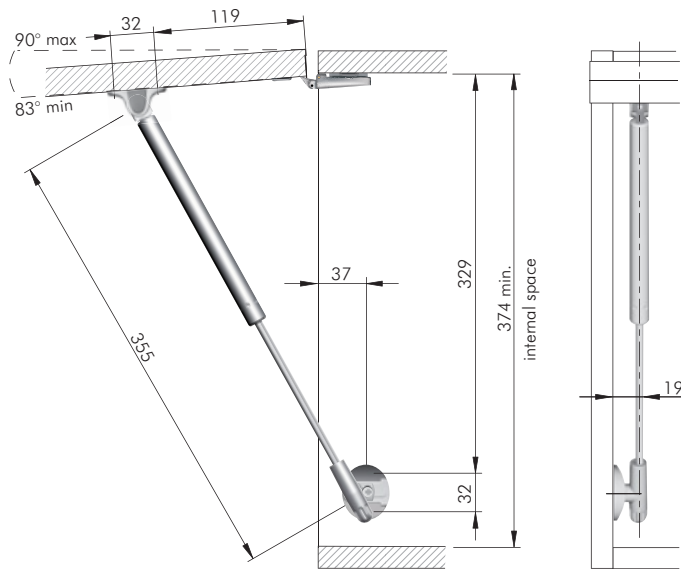
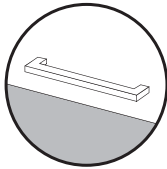
	
42130010NN	50
42131010NN	80
42132010NN	100
42133010NN	120



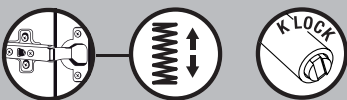
h	w	450		600		900		1200		1500		1800	
		Kg	Kraby	Kg	Kraby	Kg	Kraby	Kg	Kraby	Kg	Kraby	Kg	Kraby
400-450	2,1 - 2,4	1 x 80 N	2,8 - 3,2	2 x 50 N	4,2 - 4,7	2 x 50 N	5,6 - 6,3	2 x 80 N	7,0 - 7,9	2 x 80 N	8,4 - 9,5	2 x 100 N	
451-500	2,4 - 2,6	1 x 80 N	3,2 - 3,5	2 x 50 N	4,7 - 5,3	2 x 80 N	6,3 - 7,0	2 x 80 N	7,9 - 8,8	2 x 100 N	9,5 - 10,5	2 x 120 N	
501-550	2,6 - 2,9	1 x 80 N	3,5 - 3,9	2 x 50 N	5,3 - 5,8	2 x 80 N	7,0 - 7,7	2 x 100 N	8,8 - 9,7	2 x 120 N			
551-600	2,9 - 3,2	2 x 50 N	3,9 - 4,2	2 x 80 N	5,8 - 6,3	2 x 80 N	7,7 - 8,4	2 x 120 N					
601-650	3,2 - 3,4	2 x 80 N	4,2 - 4,6	2 x 80 N	6,3 - 6,8	2 x 100 N							
651-700	3,4 - 3,7	2 x 80 N	4,6 - 4,9	2 x 80 N	6,8 - 7,4	2 x 120 N							

Further newton strengths available on request.

The above chart refers to chipboard or MDF 18 mm doors and aluminium frame doors with glass 4 mm thick. These are experimental results to be checked by the customer. Our Technical Department is at your disposal to test further cases out of this chart.

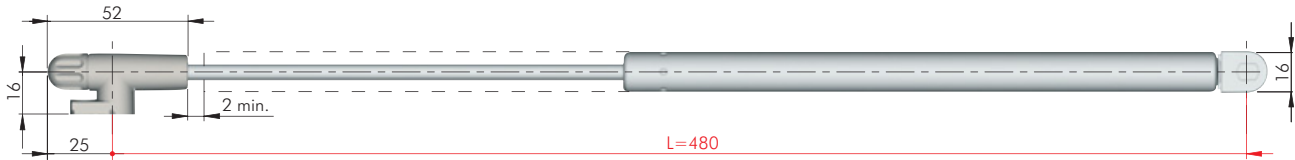


The dimensions of the above drilling plan refer to carcasses which use **standard sprung or unsprung hinges** and mounting plates 0 mm. Please note that min and max opening angle shown data is purely indicative. It varies with respect to the hinge brand and adjustment carried out.



Please note that in case of use of **negative hinges**, **magnet K Lock** is required. For details refer to section "PUSH CATCHES & MAGNETIC CATCHES".

## KRABY 480 mm - LIFT UP - Friction version

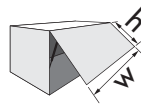


ZAnk EP ST

= 100 pcs.



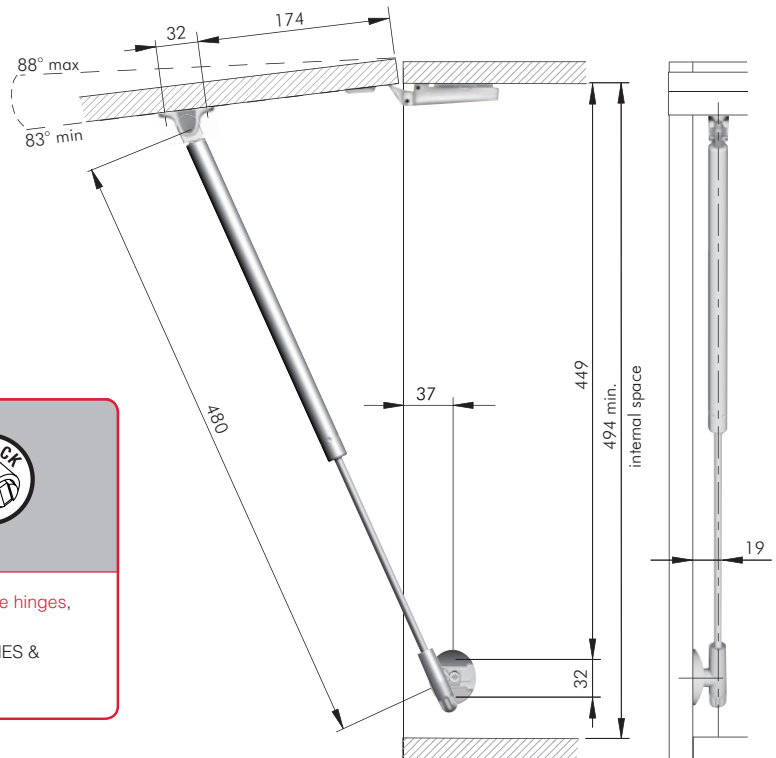
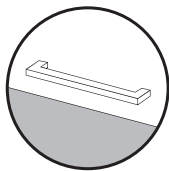
42050010NN	45
42051010NN	60
42052010NN	90
42053010NN	120



h	450		600		900		1200		1500		1800	
	Kg	Kraby	Kg	Kraby	Kg	Kraby	Kg	Kraby	Kg	Kraby	Kg	Kraby
520-550	2,6 - 2,9	1 x 45 N	3,5 - 3,9	1 x 60 N	5,3 - 5,8	1 x 60 N	7,0 - 7,7	2 x 45 N	8,8 - 9,7	2 x 60 N	10,5 - 11,6	2 x 60 N
551-600	2,9 - 3,2	1 x 45 N	3,9 - 4,2	1 x 60 N	5,8 - 6,3	1 x 60 N	7,7 - 8,4	2 x 60 N	9,7 - 10,5	2 x 60 N	11,6 - 12,6	2 x 90 N
601-650	3,2 - 3,4	1 x 45 N	4,2 - 4,6	1 x 90 N	6,3 - 6,8	1 x 90 N	8,4 - 9,1	2 x 60 N	10,5 - 11,4	2 x 90 N	12,6 - 13,7	2 x 90 N
651-700	3,4 - 3,7	1 x 60 N	4,6 - 4,9	1 x 90 N	6,8 - 7,4	2 x 45 N	9,1 - 9,8	2 x 90 N	11,4 - 12,3	2 x 120 N	13,7 - 14,7	2 x 120 N

Further newton strengths available on request.

The above chart refers to chipboard or MDF 18 mm doors and aluminium frame doors with glass 4 mm thick. These are experimental results to be checked by the customer. Our Technical Department is at your disposal to test further cases out of this chart.



Please note that in case of use of **negative hinges**, **magnet K Lock** is required. For details refer to section "PUSH CATCHES & MAGNETIC CATCHES".

The dimensions of the above drilling plan refer to carcasses which use **standard sprung or unsprung hinges** and mounting plates 0 mm. Please note that min and max opening angle shown data is purely indicative. It varies with respect to the hinge brand and adjustment carried out.



## KRABY LIFT UP WITH STANDARD UNSPRUNG OR NEGATIVE HINGES AUTOMATIC OPENING DOOR WITH K PUSH TECH THE SHORT WITH MAGNET



### INSTALLATION

- For details refer to "KRABY BRACKETS".

recommended fixing  
countersunk head wood  
screws Ø4x16 mm

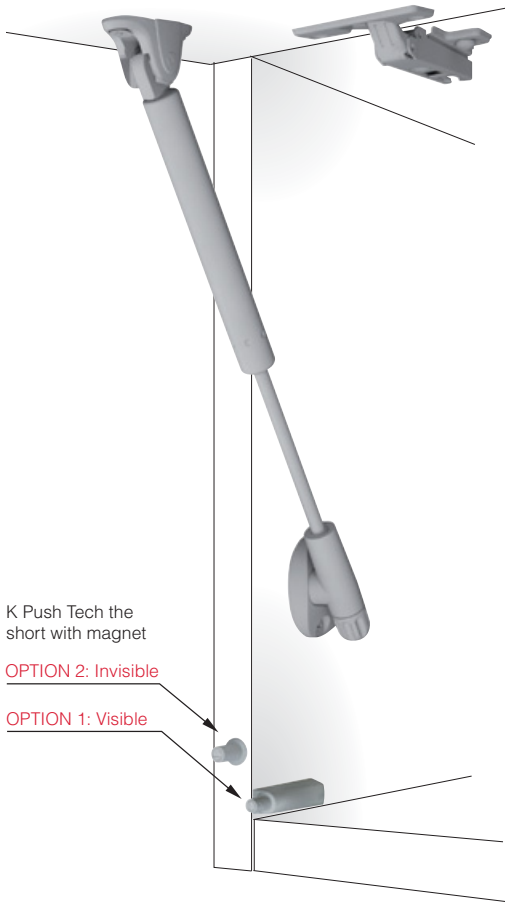
#### VERY IMPORTANT

The door bracket has to be placed in vertical position with the slot facing forwards.

recommended fixing  
countersunk head wood  
screws Ø4x16 mm

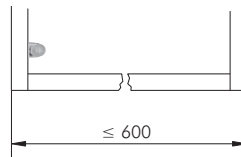
#### VERY IMPORTANT

The side bracket has to be placed with the slot in horizontal position and the open end facing the wall.

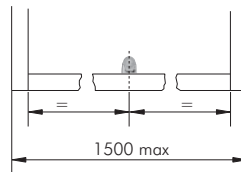


### INSTALLATION OF K PUSH TECH THE SHORT WITH MAGNET THROUGH ADAPTER HOUSING

#### OPTION 1: VISIBLE

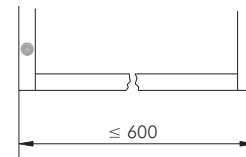


1 piece for door width ≤ 600 mm to be placed on same side as the Kraby.

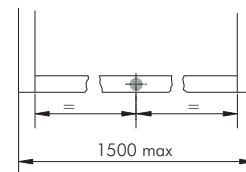


### INSTALLATION OF K PUSH TECH THE SHORT WITH MAGNET TO BE EMBEDDED INSIDE THE PANEL

#### OPTION 2: INVISIBLE



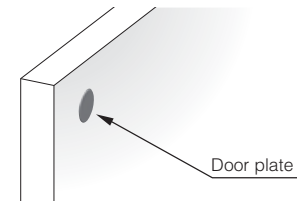
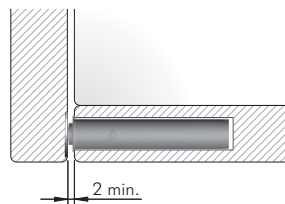
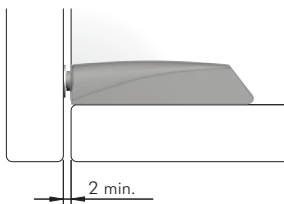
1 piece for door width ≤ 600 mm to be placed on same side as the Kraby.



- Our technical department is at your disposal to test wider doors.

### K PUSH TECH THE SHORT WITH MAGNET VISIBLE OR INVISIBLE VERSION AND K PUSH TECH PLATE FOR THE DOOR

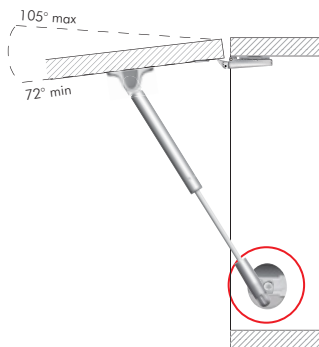
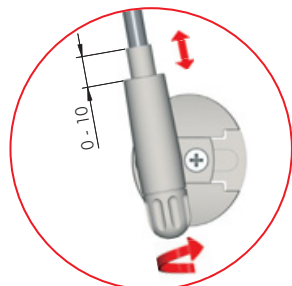
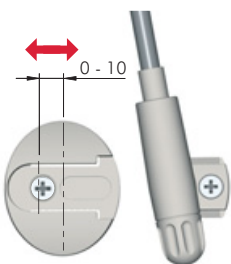
- For details refer to section "PUSH CATCHES & MAGNETIC CATCHES".



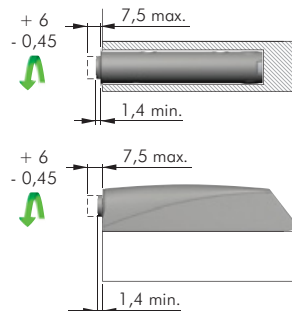
### KRABY ADJUSTMENTS

FRONT TO BACK ADJUSTMENT 0 - 10 mm

OPEN ANGLE ADJUSTMENT 0 - 10 mm

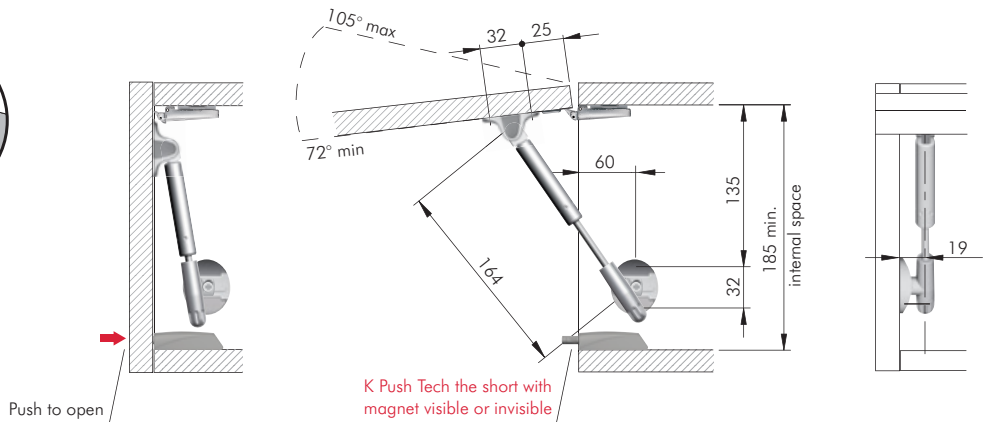
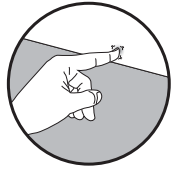


### K PUSH TECH ADJUSTMENTS





## KRABY 164 mm - LIFT UP - Automatic version



The dimensions of the drilling plan refer to carcasses which use **standard unsprung** or **negative hinges** and mounting plates 0 mm. Please note that min and max opening angle shown data is purely indicative. It varies with respect to the hinge brand and adjustment carried out.

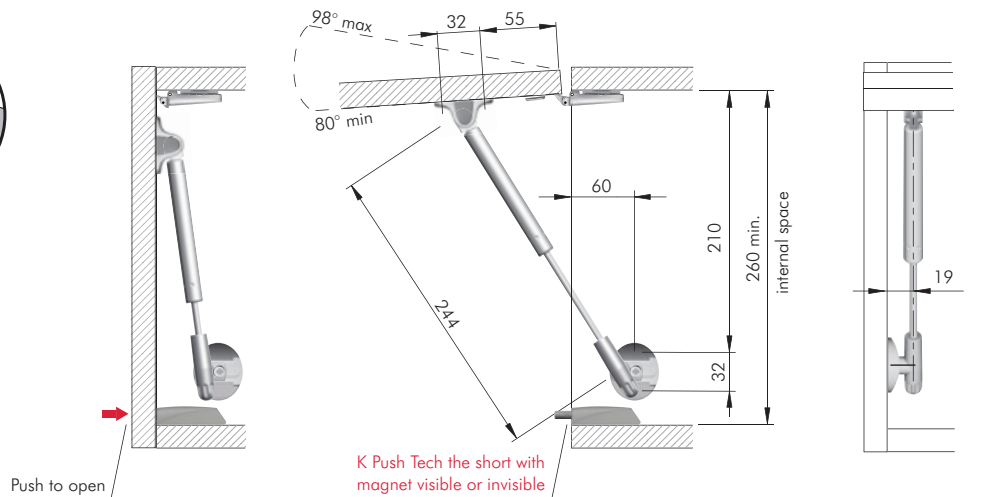
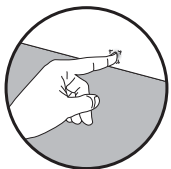
For pistons quantity and strength to be chosen according to door size, refer to the chart for "KRABY 164 mm - LIFT UP - Automatic version".



Please note that utilization with **standard sprung hinges** and **K Push Tech with buffer** is also possible. In such case, after the door is initially released by K Push Tech, a manual opening approx. 7cm is required (in order to win the spring resistance). Consequently, the door will automatically open to the fullest. For details refer to section "PUSH CATCHES & MAGNETIC CATCHES".



## KRABY 244 mm - LIFT UP - Automatic version



The dimensions of the drilling plan refer to carcasses which use **standard unsprung** or **negative hinges** and mounting plates 0 mm. Please note that min and max opening angle shown data is purely indicative. It varies with respect to the hinge brand and adjustment carried out.

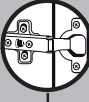

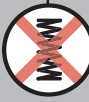

For pistons quantity and strength to be chosen according to door size, refer to the chart for "KRABY 244 mm - LIFT UP - Automatic version".




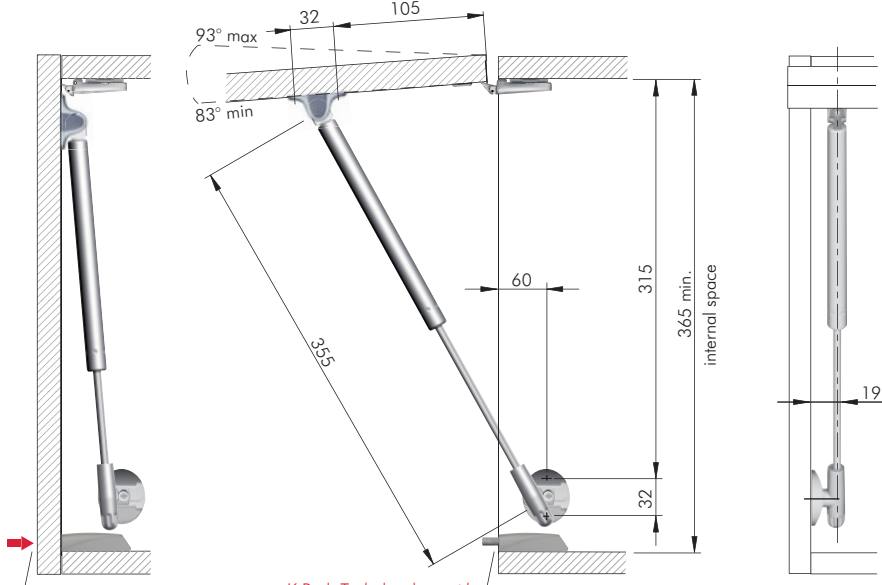
Please note that utilization with **standard sprung hinges** and **K Push Tech with buffer** is also possible. In such case, after the door is initially released by K Push Tech, a manual opening approx. 7cm is required (in order to win the spring resistance). Consequently, the door will automatically open to the fullest. For details refer to section "PUSH CATCHES & MAGNETIC CATCHES".



## KRABY 355 mm - LIFT UP - Automatic version




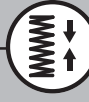



K Push Tech the short with magnet visible or invisible

Push to open

The dimensions of the drilling plan refer to carcasses which use **standard unsprung or negative hinges** and mounting plates 0 mm. Please note that min and max opening angle shown data is purely indicative. It varies with respect to the hinge brand and adjustment carried out.

For pistons quantity and strength to be chosen according to door size, refer to the chart for "KRABY 355 mm - LIFT UP - Automatic version".

Please note that utilization with **standard sprung hinges** and **K Push Tech with buffer** is also possible. In such case, after the door is initially released by K Push Tech, a manual opening approx. 7cm is required (in order to win the spring resistance). Consequently, the door will automatically open to the fullest. For details refer to section "PUSH CATCHES & MAGNETIC CATCHES".

## KRABY DROP DOWN WITH STANDARD SPRUNG HINGES



PATENTED  
UNI 8607/05 Level 5



### INSTALLATION

- For details refer to "KRABY BRACKETS".

recommended fixing countersunk head wood screws Ø4x16 mm

#### VERY IMPORTANT

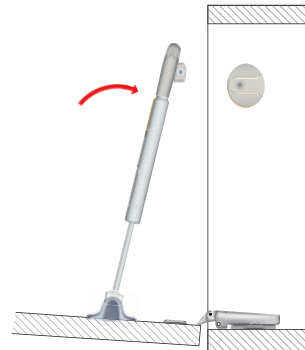
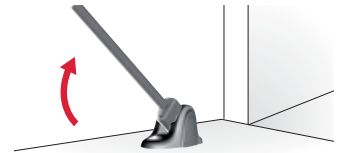
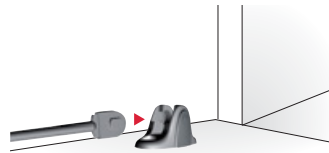
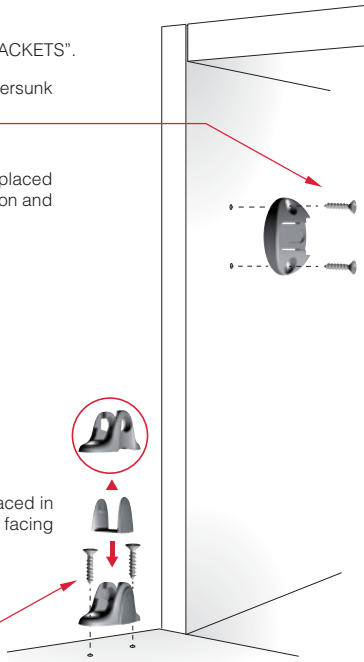
The side bracket has to be placed with the slot in horizontal position and the open end facing the wall.



#### VERY IMPORTANT

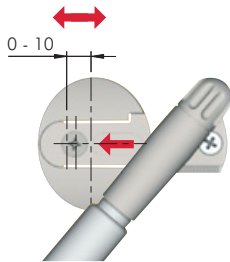
The door bracket has to be placed in vertical position with the slot facing forwards.

recommended fixing countersunk head wood screws Ø4x16 mm

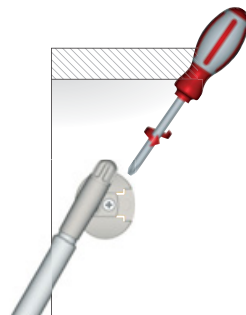


### ADJUSTMENTS

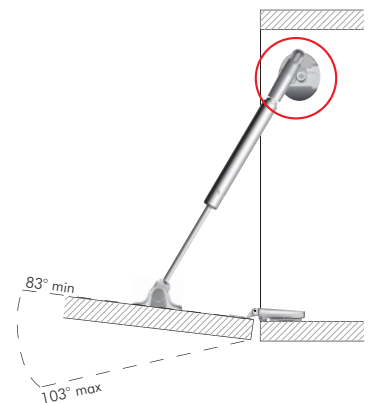
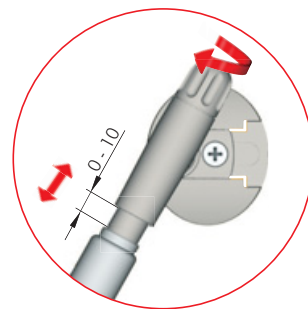
FRONT TO BACK ADJUSTMENT 0 - 10 mm



LOCKING



OPEN ANGLE ADJUSTMENT 0 - 10 mm



#### FRONT TO BACK ADJUSTMENT

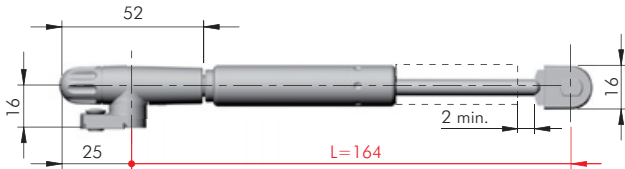
The opening of the door can be changed by adjusting the position of the piston base plate within the slot:

- **Forwards adjustment** = the door opens automatically later.
- **Backwards adjustment** = the door opens automatically in advance.





## KRABY 164 mm - DROP DOWN



ZAnk EP ST

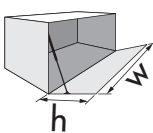
= 100 pcs.



42201010NN

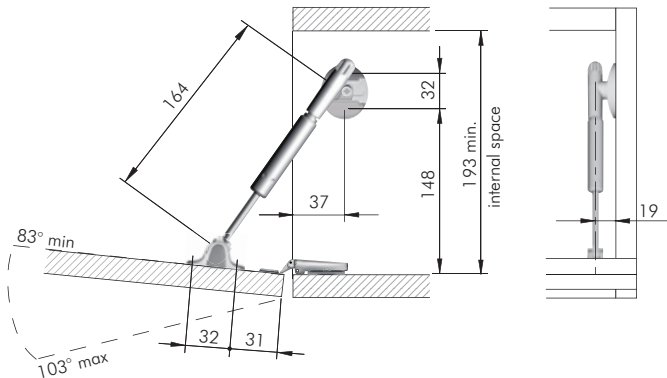
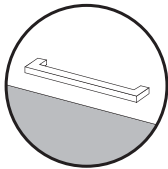
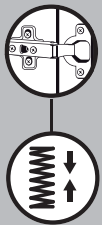


0



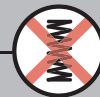
h	w	1200 max.
225-250	2 x 164 mm	< 3

This chart refers to chipboard or MDF 18 mm doors and aluminium frame doors with glass 4 mm thick using standard flap or Kimana hinges. These are experimental results to be checked by the customer. **For a better function and for safety reasons, we suggest to use at least two stays per piece of furniture (extra-size doors might require 3 or more gas stays).** For doors whose weights/dimensions are bigger than those reported on the chart, please increase the number of stays accordingly. Please make sure that gas stays are properly regulated in height through the apposite rotary knob so that the weight of the door is equally distributed amongst the stays used. Our technical department is at your disposal to test further cases out of this chart.



The dimensions of the drilling plan refer to carcasses which use **standard sprung hinges** and mounting plates 0 mm.

Please note that min and max opening angle shown data is purely indicative. It varies with respect to the hinge brand and adjustment carried out.



Please note that in case of use of **unsprung hinges** or **negative hinges**, **magnet K Lock** is required. For details refer to section "PUSH CATCHES & MAGNETIC CATCHES".



## KRABY 244 mm - DROP DOWN

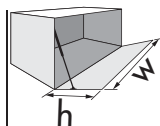


ZAnk EP ST

= 100 pcs.

123  
42210010NN

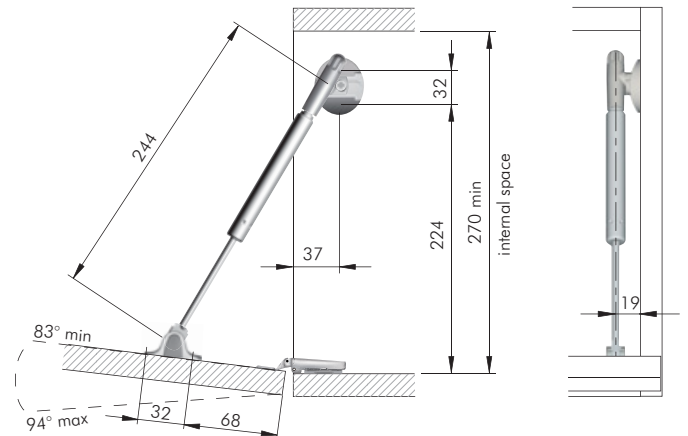
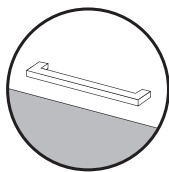
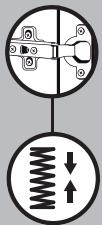
0



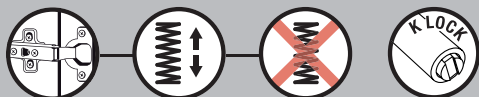
h	w 1200 max.	
	Stays	Kg
301-350	2 x 244 mm	< 4,9

This chart refers to chipboard or MDF 18 mm doors and aluminium frame doors with glass 4 mm thick using standard, flap or Kimana hinges. These are experimental results to be checked by the customer. **For a better function and for safety reasons, we suggest to use at least two stays per piece of furniture (extra-size doors might require 3 or more gas stays).** For doors whose weights/dimensions are bigger than those reported on the chart, please increase the number of stays accordingly. Please make sure that gas stays are properly regulated in height through the apposite rotary knob so that the weight of the door is equally distributed amongst the stays used. Our technical department is at your disposal to test further cases out of this chart

8



The dimensions of the drilling plan refer to carcasses which use **standard sprung hinges** and mounting plates 0 mm. Please note that min and max opening angle shown data is purely indicative. It varies with respect to the hinge brand and adjustment carried out.




Please note that in case of use of **unsprung hinges** or **negative hinges**, **magnet K Lock** is required. For details refer to section "PUSH CATCHES & MAGNETIC CATCHES".





## KRABY 355 mm - DROP DOWN




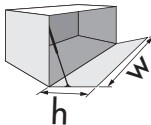
ZAnk
EP
ST

 = 100 pcs.

  
 42230010NN

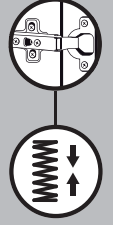


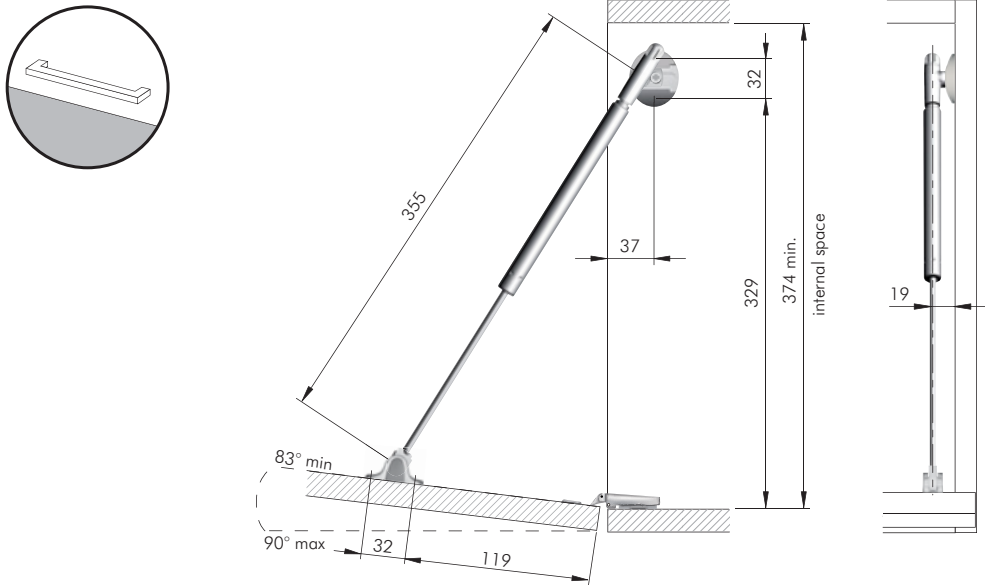
  
 0




h	w	1200 max.
Stays	Kg	
401-450	2 x 355 mm	< 6,3


This chart refers to chipboard or MDF 18 mm doors and aluminium frame doors with glass 4 mm thick using standard, flap or Kimana hinges. These are experimental results to be checked by the customer. **For a better function and for safety reasons, we suggest to use at least two stays per piece of furniture (extra-size doors might require 3 or more gas stays).** For doors whose weights/dimensions are bigger than those reported on the chart, please increase the number of stays accordingly. Please make sure that gas stays are properly regulated in height through the apposite rotary knob so that the weight of the door is equally distributed amongst the stays used. Our technical department is at your disposal to test further cases out of this chart.





The dimensions of the drilling plan refer to carcasses which use **standard sprung hinges** and mounting plates 0 mm. Please note that min and max opening angle shown data is purely indicative. It varies with respect to the hinge brand and adjustment carried out.







Please note that in case of use of **unsprung hinges** or **negative hinges**, **magnet K Lock** is required. For details refer to section "PUSH CATCHES & MAGNETIC CATCHES".

8

www.italianaferramenta.com

BACK TO CONTENTS 

8.15 

## KRABY DROP DOWN WITH KIMANA HINGES AND MAGNET K LOCK



### INSTALLATION

- For details refer to "KRABY BRACKETS".

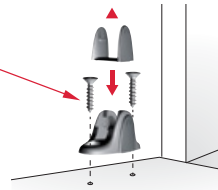


#### VERY IMPORTANT

The door bracket has to be placed in vertical position with the slot facing forwards.



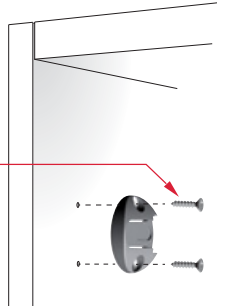
recommended fixing countersunk head wood screws  $\varnothing 4 \times 16$  mm



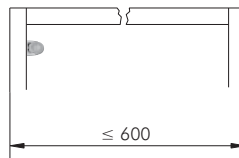
#### VERY IMPORTANT

The side bracket has to be placed with the slot in horizontal position and the open end facing the wall.

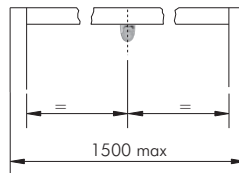
recommended fixing countersunk head wood screws  $\varnothing 4 \times 16$  mm



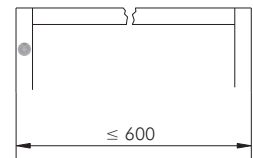
### INSTALLATION OF MAGNET K LOCK THROUGH ADAPTER HOUSING OPTION 1: VISIBLE



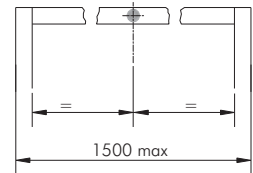
1 piece for door width  $\leq 600$  mm to be placed on same side as the Kraby.



### INSTALLATION OF MAGNET K LOCK TO BE EMBEDDED INSIDE THE PANEL OPTION 2: INVISIBLE



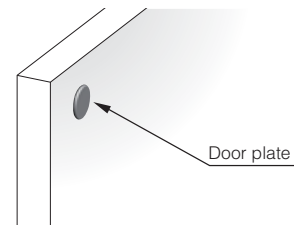
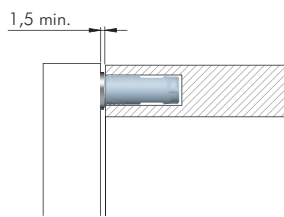
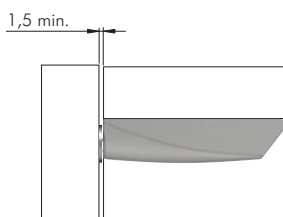
1 piece for door width  $\leq 600$  mm to be placed on same side as the Kraby.



- Our technical department is at your disposal to test wider doors.

### MAGNET K LOCK VISIBLE OR INVISIBLE VERSION AND K LOCK PLATE FOR THE DOOR

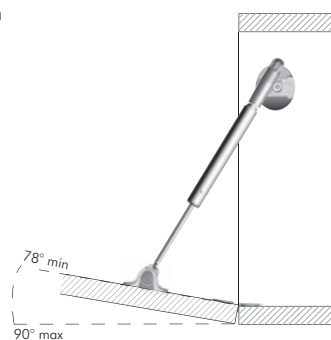
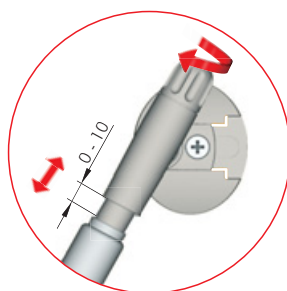
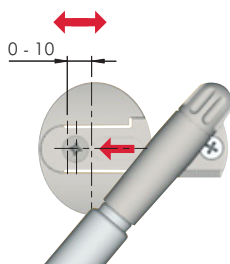
- For details refer to section "PUSH CATCHES & MAGNETIC CATCHES".



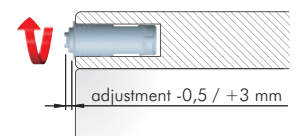
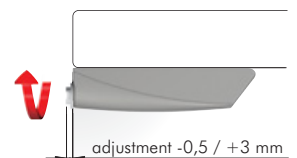
### KRABY ADJUSTMENTS

FRONT TO BACK ADJUSTMENT 0 - 10 mm

OPEN ANGLE ADJUSTMENT 0 - 10 mm

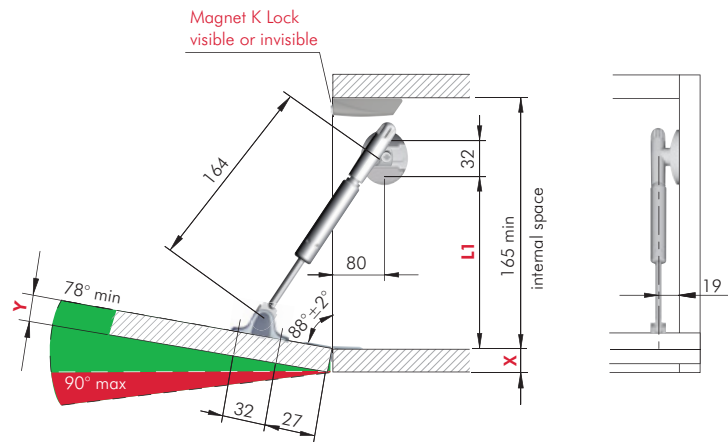
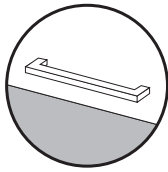


### K LOCK ADJUSTMENTS



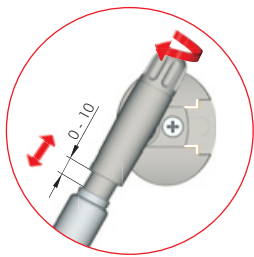


## KRABY 164 mm - DROP DOWN



The dimensions of the above drilling plan refer to carcasses which use **Kimana hinges**.

**VERY IMPORTANT:** for Kimana hinges at least 2 Kraby stays are required for any door width.

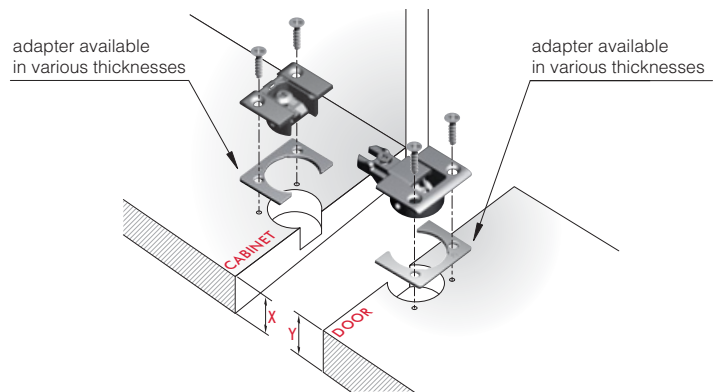


### OPEN ANGLE ADJUSTMENT:

Kraby provides 10 mm opening angle adjustment through the rotary knob. Combining Kraby with Kimana hinges, **it's strongly recommended to carry out the adjustment to get an opening angle 90° max.** Overcrossing 90° door opening angle, it negatively effects the Kimana hinges.

For pistons quantity to be specified according to door size, refer to the chart for "KRABY 164 mm - DROP DOWN".

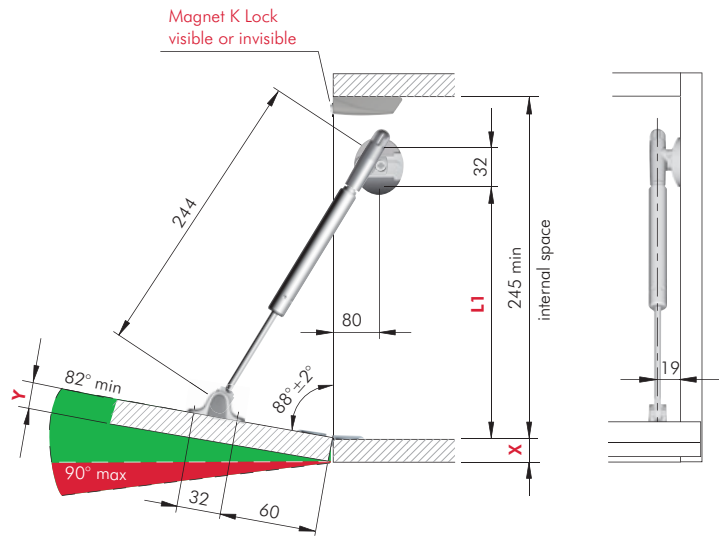
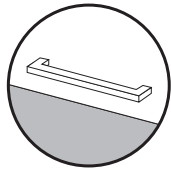
X +	Y +	L1
16 + 4	16 + 2	117
16 + 4	19	119
18 + 2	19	117
19	16 + 2	113
19	19	115
20	20	115



For Kimana and adapter details refer to section "HINGES".

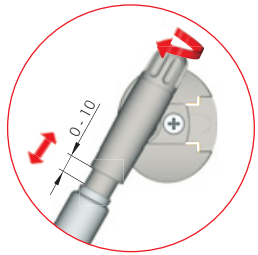


## KRABY 244 mm - DROP DOWN



The dimensions of the above drilling plan refer to carcasses which use **Kimana hinges**.

**VERY IMPORTANT:** for Kimana hinges at least 2 Kraby stays are required for any door width.



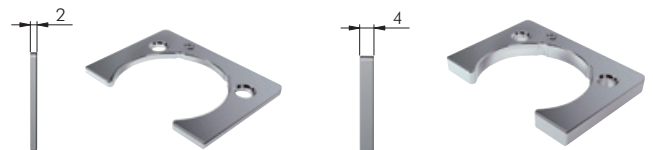
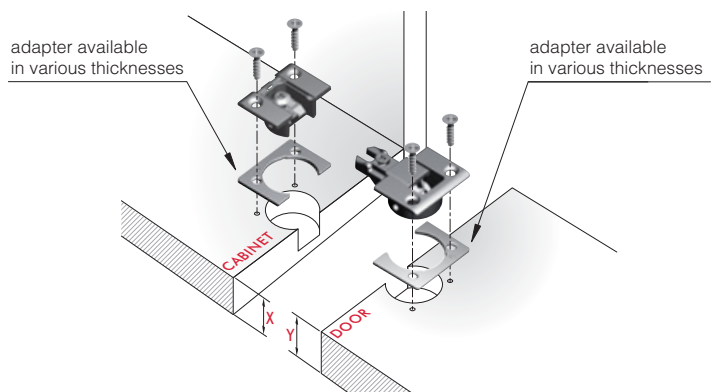
### OPEN ANGLE ADJUSTMENT:

Kraby provides 10 mm opening angle adjustment through the rotary knob. Combining Kraby with Kimana hinges, **it's strongly recommended to carry out the adjustment to get an opening angle 90° max.** Overcrossing 90° door opening angle, it negatively effects the Kimana hinges.

8

For pistons quantity to be specified according to door size, refer to the chart for "KRABY 244 mm - DROP DOWN".

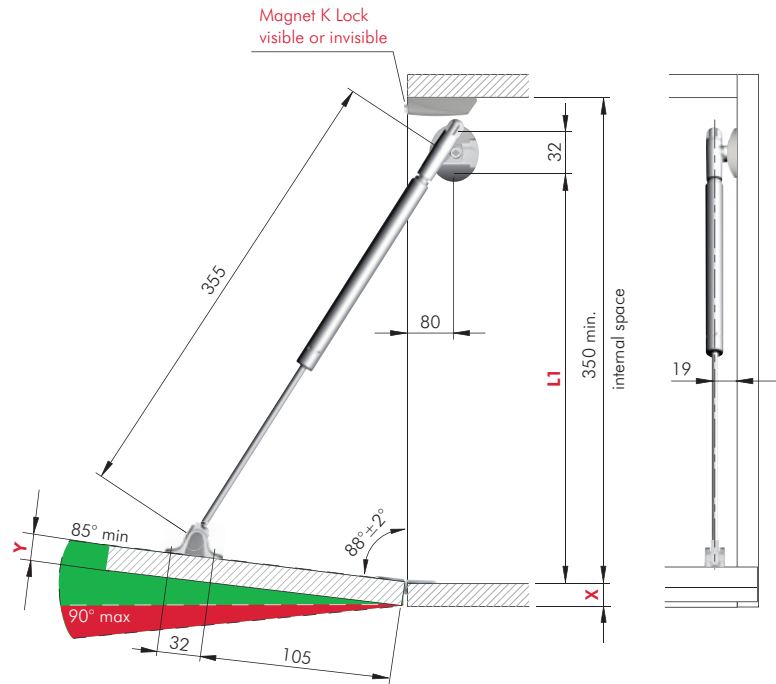
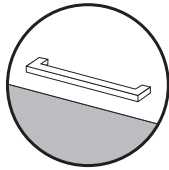
X +	Y +	L1
16 + 4	16 + 2	197
16 + 4	19	199
18 + 2	19	197
19	16 + 2	193
19	19	195
20	20	195



For Kimana and adapter details refer to section "HINGES".

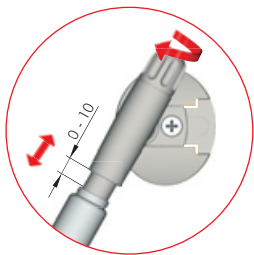


## KRABY 355 mm - DROP DOWN



The dimensions of the above drilling plan refer to carcasses which use **Kimana hinges**.

**VERY IMPORTANT:** for Kimana hinges at least 2 Kraby stays are required for any door width.

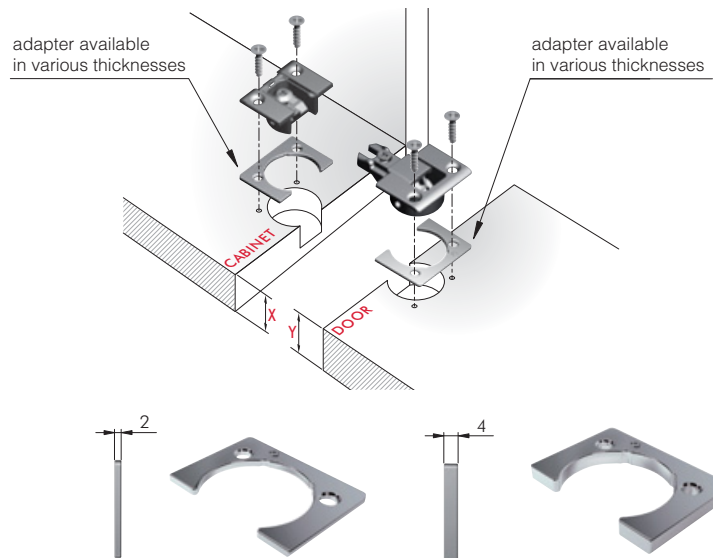


### OPEN ANGLE ADJUSTMENT:

Kraby provides 10 mm opening angle adjustment through the rotary knob. Combining Kraby with Kimana hinges, **it's strongly recommended to carry out the adjustment to get an opening angle 90° max.** Overcrossing 90° door opening angle, it negatively effects the Kimana hinges.

For pistons quantity to be specified according to door size, refer to the chart for "KRABY 355 mm - DROP DOWN".

X +	Y +	L1
16 + 4	16 + 2	302
16 + 4	19	304
18 + 2	19	302
19	16 + 2	298
19	19	300
20	20	300



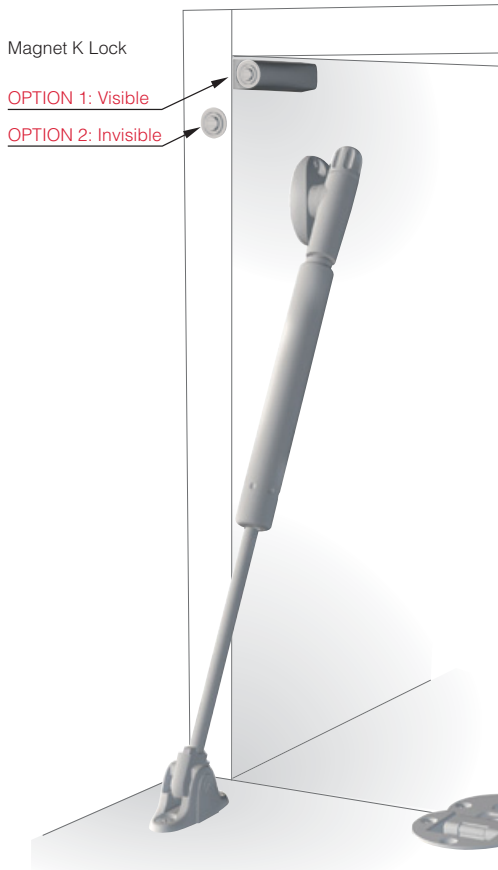
For Kimana and adapter details refer to section "HINGES".

## KRABY DROP DOWN WITH FLAP HINGES AND MAGNET K LOCK



### INSTALLATION

- For details refer to "KRABY BRACKETS".

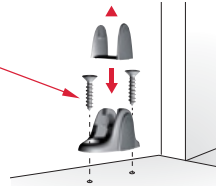


#### VERY IMPORTANT

The door bracket has to be placed in vertical position with the slot facing forwards.



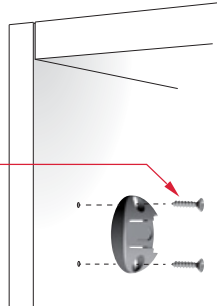
recommended fixing countersunk head wood screws  $\varnothing 4 \times 16$  mm



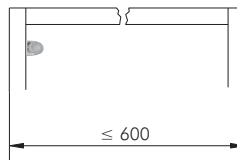
#### VERY IMPORTANT

The side bracket has to be placed with the slot in horizontal position and the open end facing the wall.

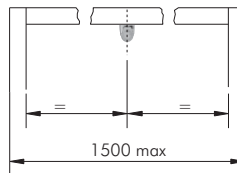
recommended fixing countersunk head wood screws  $\varnothing 4 \times 16$  mm



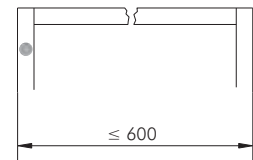
### INSTALLATION OF MAGNET K LOCK THROUGH ADAPTER HOUSING OPTION 1: VISIBLE



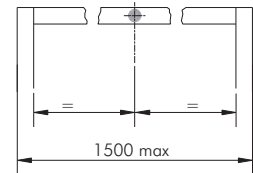
1 piece for door width  $\leq 600$  mm to be placed on same side as the Kraby.



### INSTALLATION OF MAGNET K LOCK TO BE EMBEDDED INSIDE THE PANEL OPTION 2: INVISIBLE



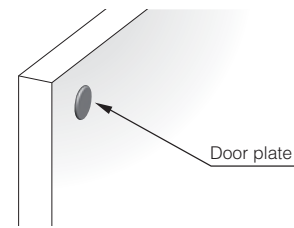
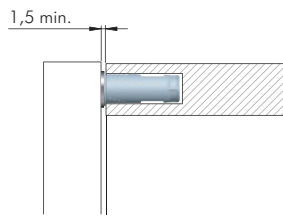
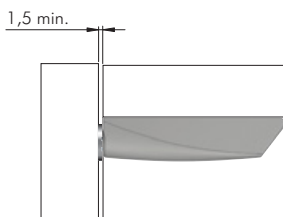
1 piece for door width  $\leq 600$  mm to be placed on same side as the Kraby.



- Our technical department is at your disposal to test wider doors.

### MAGNET K LOCK VISIBLE OR INVISIBLE VERSION AND K LOCK PLATE FOR THE DOOR

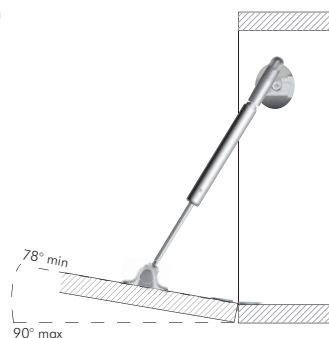
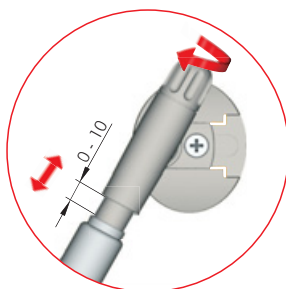
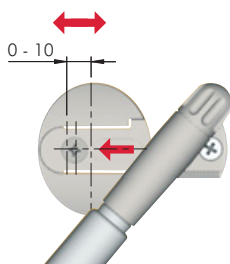
- For details refer to section "PUSH CATCHES & MAGNETIC CATCHES".



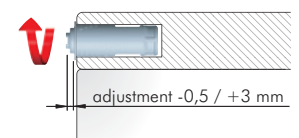
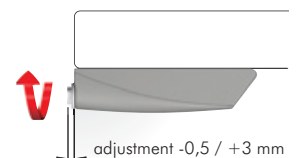
### KRABY ADJUSTMENTS

FRONT TO BACK ADJUSTMENT 0 - 10 mm

OPEN ANGLE ADJUSTMENT 0 - 10 mm



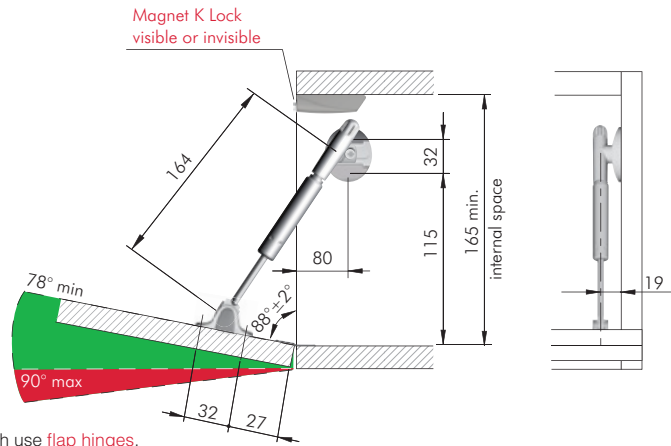
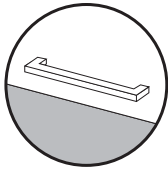
### K LOCK ADJUSTMENTS



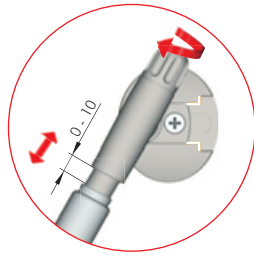




## KRABY 164 mm - DROP DOWN



The dimensions of the drilling plan refer to carcasses which use flap hinges.



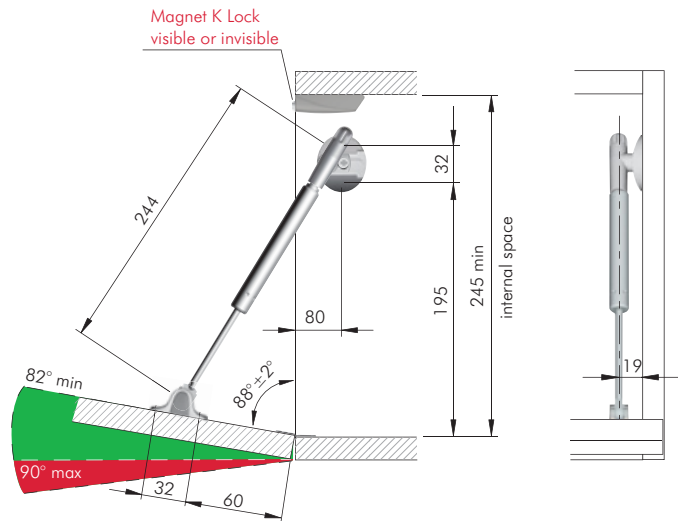
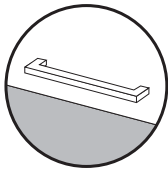
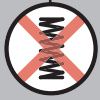
### OPEN ANGLE ADJUSTMENT:

Kraby provides 10 mm opening angle adjustment through the rotary knob. Combining Kraby with flap hinges, **it's strongly recommended to carry out the adjustment to get an opening angle 90° max.** Overcrossing 90° door opening angle, it negatively effects the flap hinges.

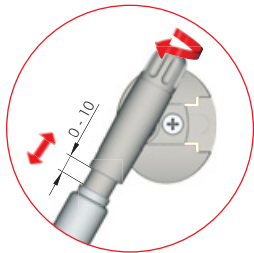
For pistons quantity to be specified according to door size, refer to the chart for "KRABY 164 mm - DROP DOWN".



## KRABY 244 mm - DROP DOWN



The dimensions of the above drilling plan refer to carcasses which use flap hinges.



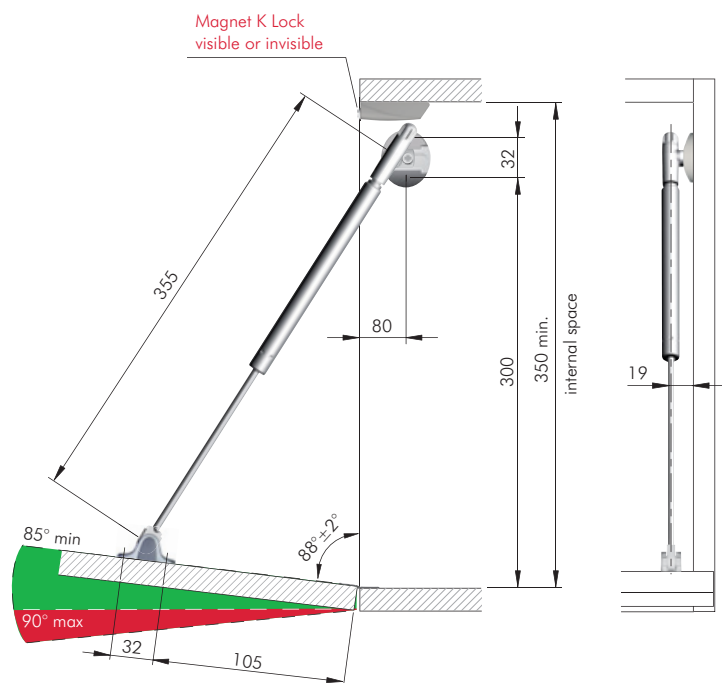
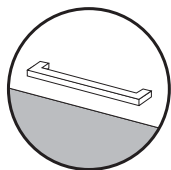
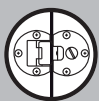
### OPEN ANGLE ADJUSTMENT:

Kraby provides 10 mm opening angle adjustment through the rotary knob. Combining Kraby with flap hinges, **it's strongly recommended to carry out the adjustment to get an opening angle 90° max.** Overcrossing 90° door opening angle, it negatively effects the flap hinges.

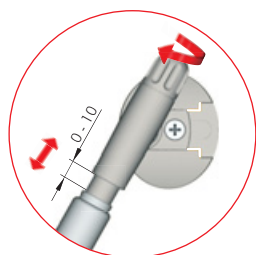
For pistons quantity to be specified according to door size, refer to the chart for "KRABY 244 mm - DROP DOWN".



## KRABY 355 mm - DROP DOWN



The dimensions of the above drilling plan refer to carcasses which use **flap hinges**.



### OPEN ANGLE ADJUSTMENT:

Kraby provides 10 mm opening angle adjustment through the rotary knob. Combining Kraby with flap hinges, **it's strongly recommended to carry out the adjustment to get an opening angle 90° max.** Overcrossing 90° door opening angle, it negatively effects the flap hinges.

For pistons quantity to be specified according to door size, refer to the chart for "KRABY 355 mm - DROP DOWN".



## KRABY DROP DOWN WITH STANDARD UNSPRUNG OR NEGATIVE HINGES AUTOMATIC OPENING DOOR WITH K PUSH TECH THE SHORT WITH MAGNET



### INSTALLATION

- For details refer to "KRABY BRACKETS".

K Push Tech the short with magnet

OPTION 1: Visible

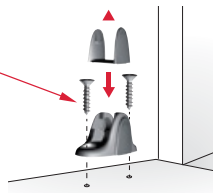
OPTION 2: Invisible

### VERY IMPORTANT

The door bracket has to be placed in vertical position with the slot facing forwards.



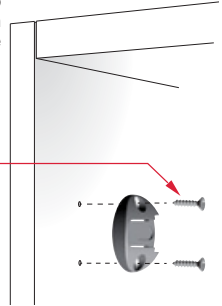
recommended fixing countersunk head wood screws  $\varnothing 4 \times 16$  mm



### VERY IMPORTANT

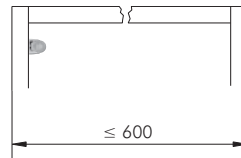
The side bracket has to be placed with the slot in horizontal position and the open end facing the wall.

recommended fixing countersunk head wood screws  $\varnothing 4 \times 16$  mm

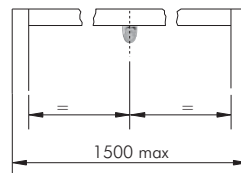


### INSTALLATION OF K PUSH TECH THE SHORT WITH MAGNET THROUGH ADAPTER HOUSING

OPTION 1: VISIBLE

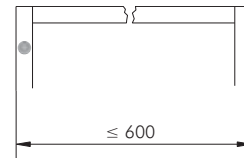


1 piece for door width  $\leq 600$  mm to be placed on same side as the Kraby.

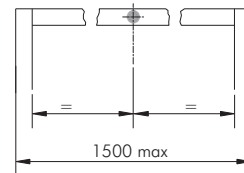


### INSTALLATION OF K PUSH TECH THE SHORT WITH MAGNET TO BE EMBEDDED INSIDE THE PANEL

OPTION 2: INVISIBLE



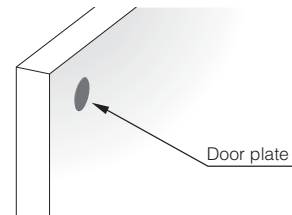
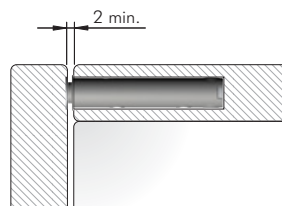
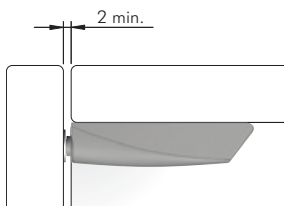
1 piece for door width  $\leq 600$  mm to be placed on same side as the Kraby.



- Our technical department is at your disposal to test wider doors.

### K PUSH TECH THE SHORT WITH MAGNET VISIBLE OR INVISIBLE VERSION AND K PUSH TECH PLATE FOR THE DOOR

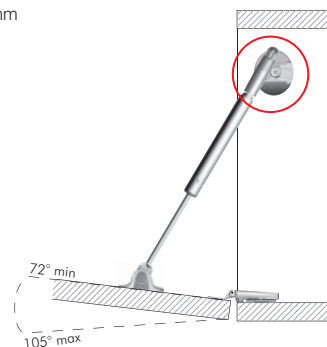
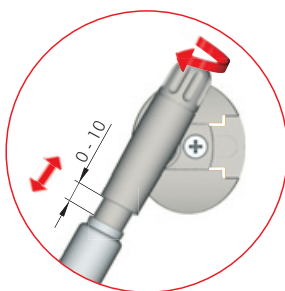
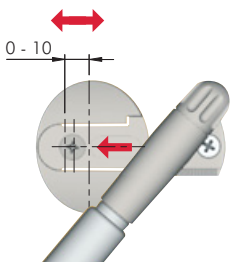
- For details refer to section "PUSH CATCHES & MAGNETIC CATCHES".



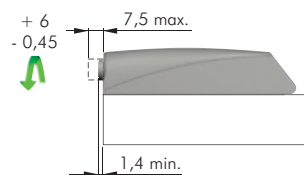
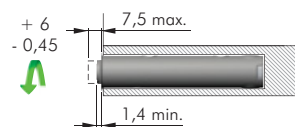
### KRABY ADJUSTMENTS

FRONT TO BACK ADJUSTMENT 0 - 10 mm

OPEN ANGLE ADJUSTMENT 0 - 10 mm

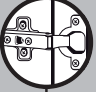





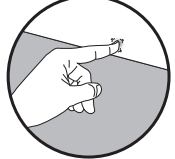
### K PUSH TECH ADJUSTMENTS






## KRABY 164 mm - DROP DOWN

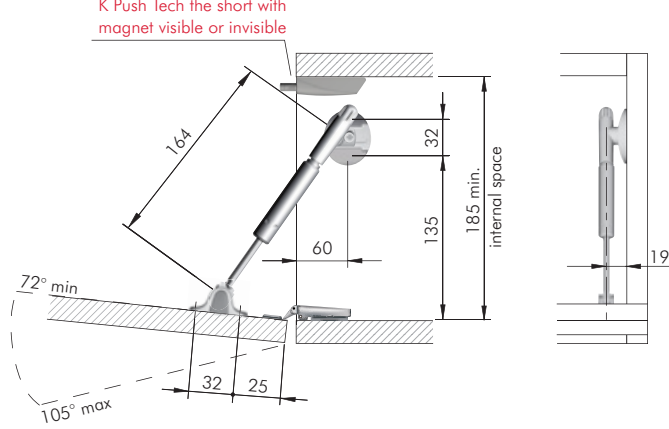







Push to open

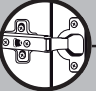




K Push Tech the short with magnet visible or invisible



The dimensions of the drilling plan refer to carcasses which use **standard unsprung or negative hinges** and mounting plates 0 mm.  
Please note that min and max opening angle shown data is purely indicative. It varies with respect to the hinge brand and adjustment carried out.

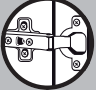



For pistons quantity to be specified according to door size, refer to the chart for "KRABY 164 mm - DROP DOWN".

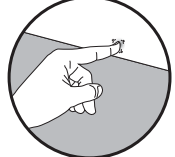




Please note that utilization with **standard sprung hinges** and **K Push Tech with buffer** is also possible. In such case, after the door is initially released by K Push Tech, a manual opening approx. 7cm is required (in order to win the spring resistance). Consequently, the door will automatically open to the fullest.  
For details refer to section "PUSH CATCHES & MAGNETIC CATCHES".

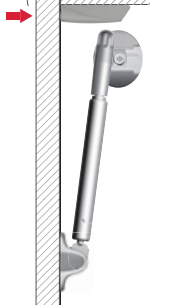


## KRABY 244 mm - DROP DOWN

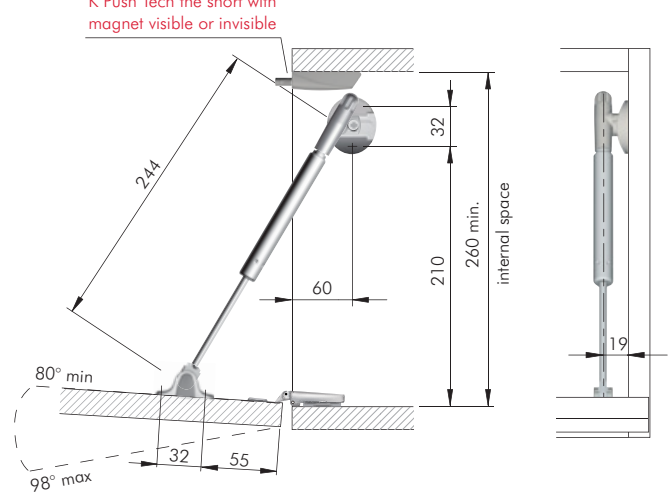







Push to open

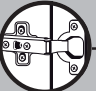




K Push Tech the short with magnet visible or invisible



The dimensions of the drilling plan refer to carcasses which use **standard unsprung or negative hinges** and mounting plates 0 mm.  
Please note that min and max opening angle shown data is purely indicative. It varies with respect to the hinge brand and adjustment carried out.

For pistons quantity to be specified according to door size, refer to the chart for "KRABY 244 mm - DROP DOWN".

Please note that utilization with **standard sprung hinges** and **K Push Tech with buffer** is also possible. In such case, after the door is initially released by K Push Tech, a manual opening approx. 7cm is required (in order to win the spring resistance). Consequently, the door will automatically open to the fullest.  
For details refer to section "PUSH CATCHES & MAGNETIC CATCHES".



## KRABY 355 mm - DROP DOWN

The dimensions of the drilling plan refer to carcasses which use **standard unsprung or negative hinges** and mounting plates 0 mm. Please note that min and max opening angle shown data is purely indicative. It varies with respect to the hinge brand and adjustment carried out.

For pistons quantity to be specified according to door size, refer to the chart for "KRABY 355 mm - DROP DOWN".

Please note that utilization with **standard sprung hinges** and **K Push Tech with buffer** is also possible. In such case, after the door is initially released by K Push Tech, a manual opening approx. 7cm is required (in order to win the spring resistance). Consequently, the door will automatically open to the fullest. For details refer to section "PUSH CATCHES & MAGNETIC CATCHES".

## KRABY DROP DOWN WITH KIMANA HINGES AUTOMATIC OPENING DOOR WITH K PUSH TECH THE MEDIUM WITH MAGNET



### INSTALLATION

- For details refer to "KRABY BRACKETS".

K Push Tech the medium with magnet

OPTION 1: Visible

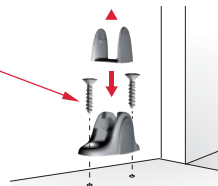
OPTION 2: Invisible

### VERY IMPORTANT

The door bracket has to be placed in vertical position with the slot facing forwards.



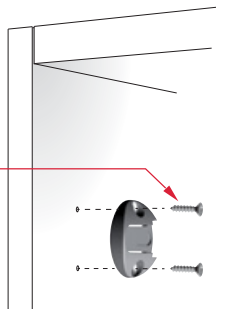
recommended fixing countersunk head wood screws  $\varnothing 4 \times 16$  mm



### VERY IMPORTANT

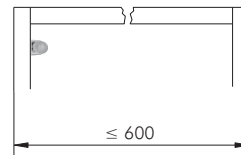
The side bracket has to be placed with the slot in horizontal position and the open end facing the wall.

recommended fixing countersunk head wood screws  $\varnothing 4 \times 16$  mm

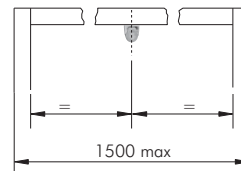


### INSTALLATION OF K PUSH TECH THE MEDIUM WITH MAGNET THROUGH ADAPTER HOUSING

OPTION 1: VISIBLE

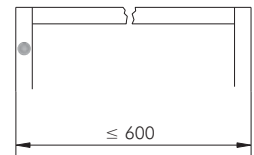


1 piece for door width  $\leq 600$  mm to be placed on same side as the Kraby.

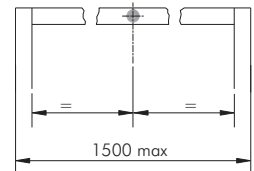


### INSTALLATION OF K PUSH TECH THE MEDIUM WITH MAGNET TO BE EMBEDDED INSIDE THE PANEL

OPTION 2: INVISIBLE



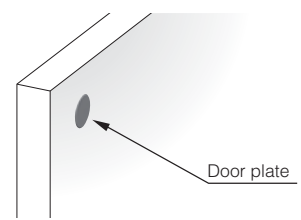
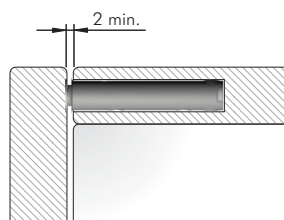
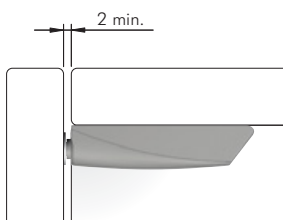
1 piece for door width  $\leq 600$  mm to be placed on same side as the Kraby.



- Our technical department is at your disposal to test wider doors.

### K PUSH TECH THE MEDIUM WITH MAGNET VISIBLE OR INVISIBLE VERSION AND K PUSH TECH PLATE FOR THE DOOR

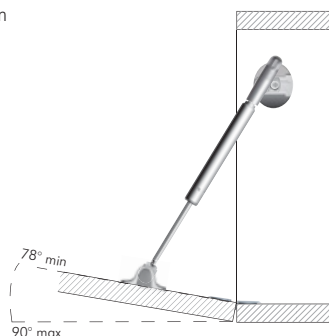
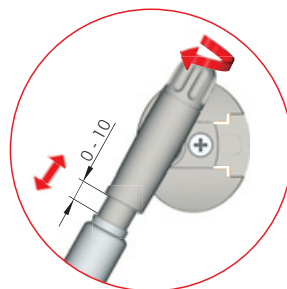
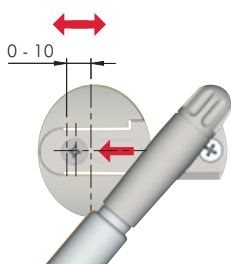
- For details refer to section "PUSH CATCHES & MAGNETIC CATCHES".



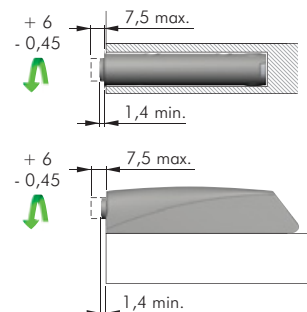
### KRABY ADJUSTMENTS

FRONT TO BACK ADJUSTMENT 0 - 10 mm

OPEN ANGLE ADJUSTMENT 0 - 10 mm

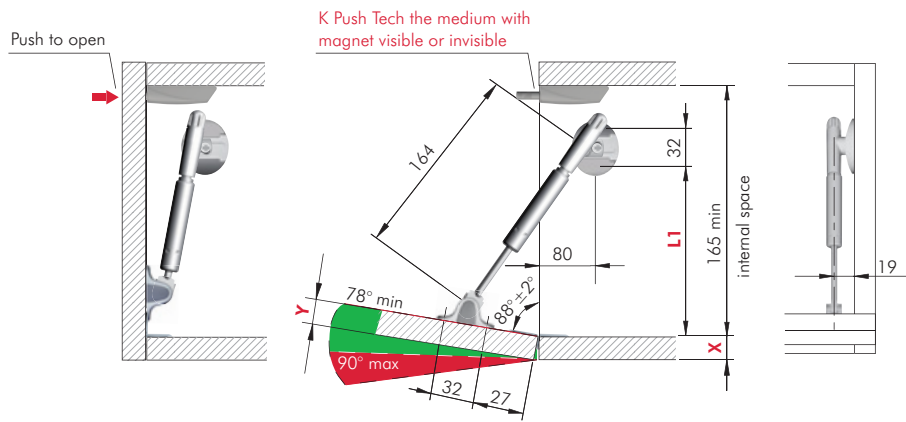
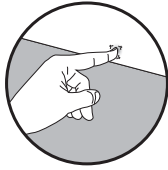


### K PUSH TECH ADJUSTMENTS



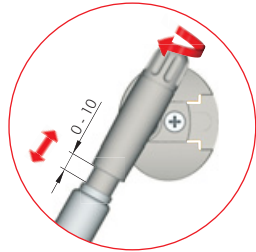


## KRABY 164 mm - DROP DOWN



The dimensions of the above drilling plan refer to carcasses which use **Kimana hinges**.

**VERY IMPORTANT:** for Kimana hinges at least 2 Kraby stays are required for any door width.

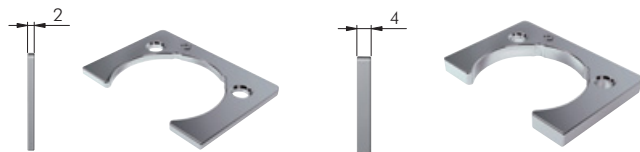
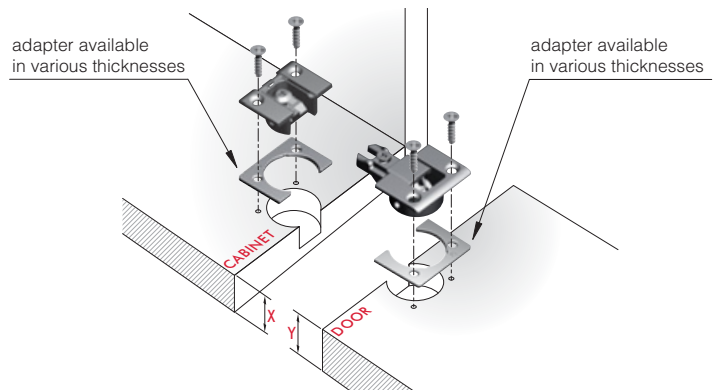


### OPEN ANGLE ADJUSTMENT:

Kraby provides 10 mm opening angle adjustment through the rotary knob. Combining Kraby with Kimana hinges, **it's strongly recommended to carry out the adjustment to get an opening angle 90° max.** Overcrossing 90° door opening angle, it negatively effects the Kimana hinges.

For pistons quantity to be specified according to door size, refer to the chart for "KRABY 164 mm - DROP DOWN".

X +	Y +	L1
16 + 4	16 + 2	117
16 + 4	19	119
18 + 2	19	117
19	16 + 2	113
19	19	115
20	20	115



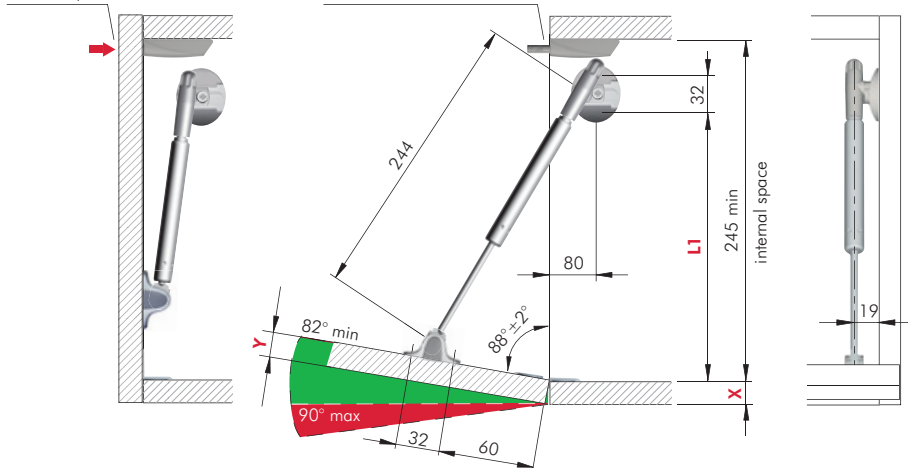
For Kimana and adapter details refer to section "HINGES".

## KRABY 244 mm - DROP DOWN



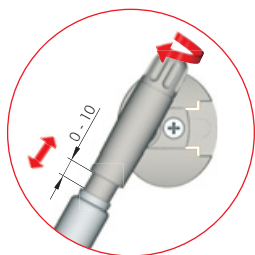
Push to open

K Push Tech the medium with magnet visible or invisible



The dimensions of the above drilling plan refer to carcasses which use Kimana hinges.

**VERY IMPORTANT:** for Kimana hinges at least 2 Kraby stays are required for any door width.





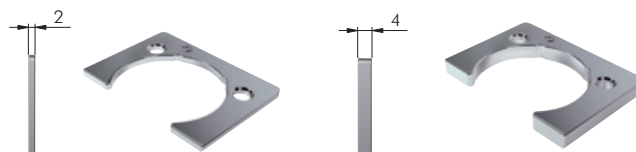
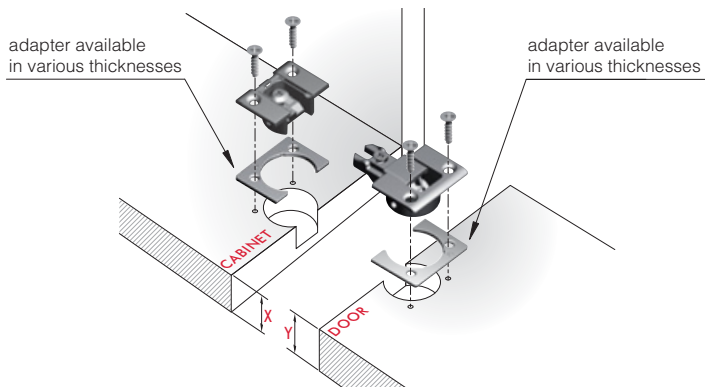
### OPEN ANGLE ADJUSTMENT:

Kraby provides 10 mm opening angle adjustment through the rotary knob. Combining Kraby with Kimana hinges, **it's strongly recommended to carry out the adjustment to get an opening angle 90° max.** Overcrossing 90° door opening angle, it negatively effects the Kimana hinges.

8

For pistons quantity to be specified according to door size, refer to the chart for "KRABY 244 mm - DROP DOWN".

X + 	Y + 	L1
16 + 4	16 + 2	197
16 + 4	19	199
18 + 2	19	197
19	16 + 2	193
19	19	195
20	20	195

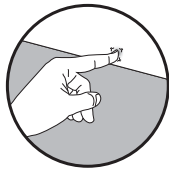


For Kimana and adapter details refer to section "HINGES".



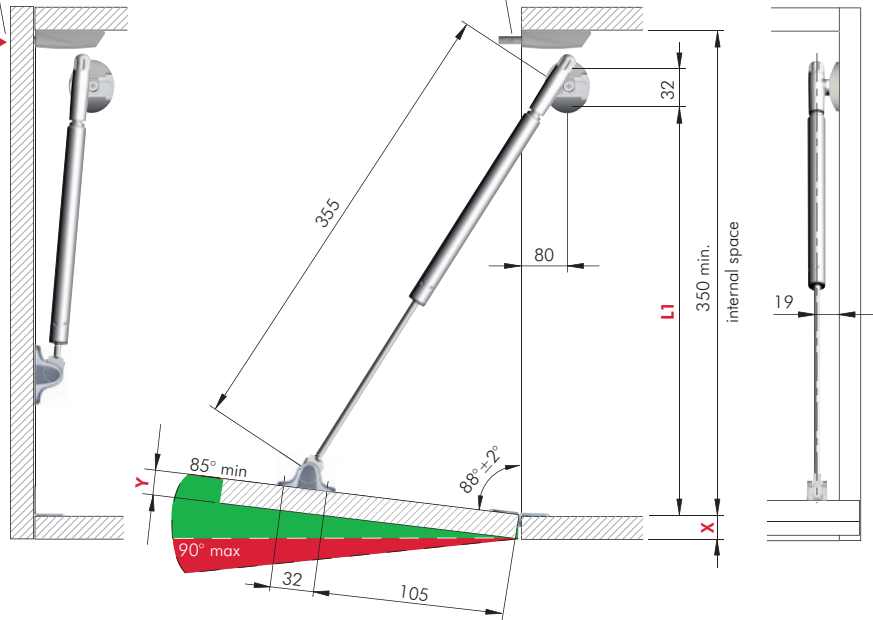


## KRABY 355 mm - DROP DOWN



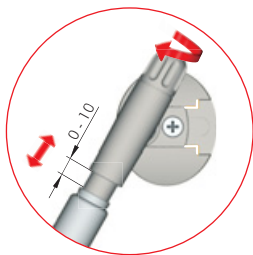
Push to open

K Push Tech the medium with magnet visible or invisible



The dimensions of the above drilling plan refer to carcasses which use Kimana hinges.

**VERY IMPORTANT:** for Kimana hinges at least 2 Kraby stays are required for any door width.

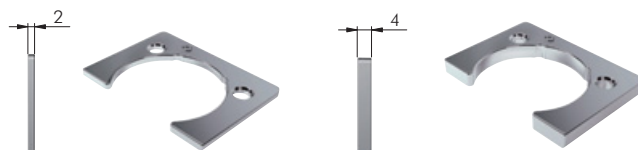
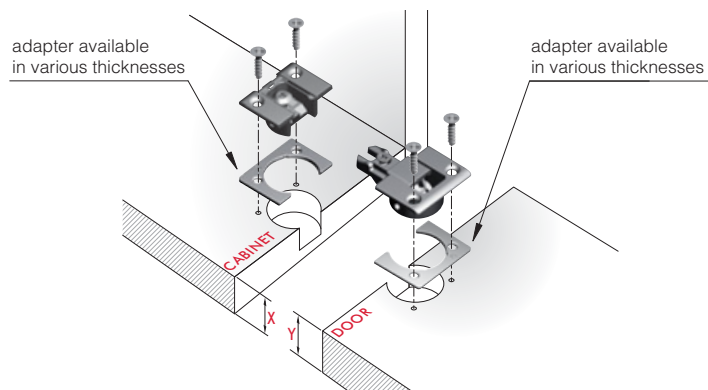


### OPEN ANGLE ADJUSTMENT:

Kraby provides 10 mm opening angle adjustment through the rotary knob. Combining Kraby with Kimana hinges, **it's strongly recommended to carry out the adjustment to get an opening angle 90° max.** Overcrossing 90° door opening angle, it negatively effects the Kimana hinges.

For pistons quantity to be specified according to door size, refer to the chart for "KRABY 355 mm - DROP DOWN".

X +	Y +	L1
16 + 4	16 + 2	302
16 + 4	19	304
18 + 2	19	302
19	16 + 2	298
19	19	300
20	20	300



For Kimana and adapter details refer to section "HINGES".

## KRABY DROP DOWN WITH FLAP HINGES

### AUTOMATIC OPENING DOOR WITH K PUSH TECH THE SHORT WITH MAGNET



#### INSTALLATION

- For details refer to "KRABY BRACKETS".

K Push Tech the short with magnet

OPTION 1: Visible

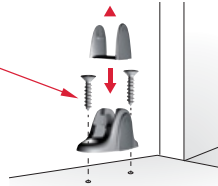
OPTION 2: Invisible

#### VERY IMPORTANT

The door bracket has to be placed in vertical position with the slot facing forwards.



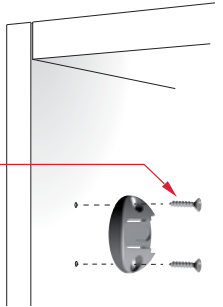
recommended fixing countersunk head wood screws  $\varnothing 4 \times 16$  mm



#### VERY IMPORTANT

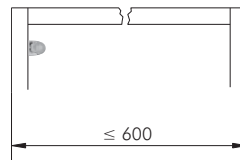
The side bracket has to be placed with the slot in horizontal position and the open end facing the wall.

recommended fixing countersunk head wood screws  $\varnothing 4 \times 16$  mm

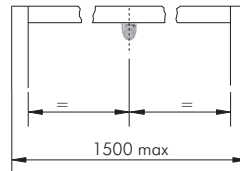


#### INSTALLATION OF K PUSH TECH THE SHORT WITH MAGNET THROUGH ADAPTER HOUSING

OPTION 1: VISIBLE

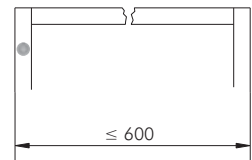


1 piece for door width  $\leq 600$  mm to be placed on same side as the Kraby.

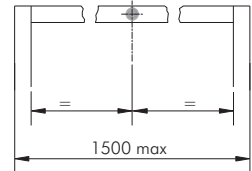


#### INSTALLATION OF K PUSH TECH THE SHORT WITH MAGNET TO BE EMBEDDED INSIDE THE PANEL

OPTION 2: INVISIBLE



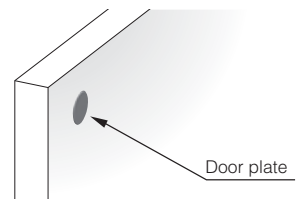
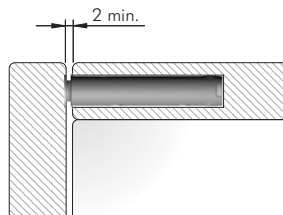
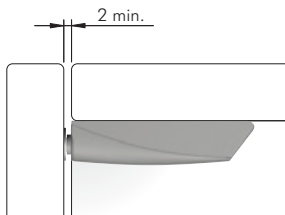
1 piece for door width  $\leq 600$  mm to be placed on same side as the Kraby.



- Our technical department is at your disposal to test wider doors.

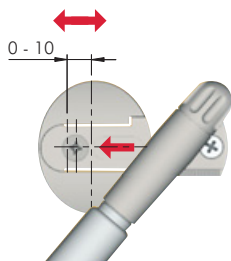
#### K PUSH TECH THE SHORT WITH MAGNET VISIBLE OR INVISIBLE VERSION AND K PUSH TECH PLATE FOR THE DOOR

- For details refer to section "PUSH CATCHES & MAGNETIC CATCHES".

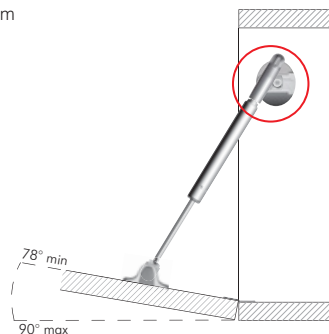
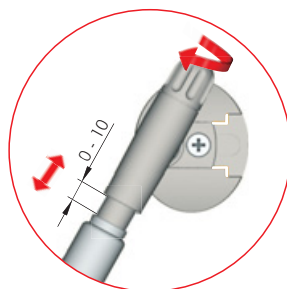


#### KRABY ADJUSTMENTS

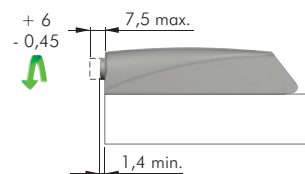
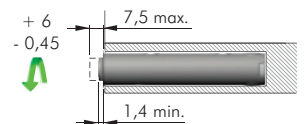
FRONT TO BACK ADJUSTMENT 0 - 10 mm



OPEN ANGLE ADJUSTMENT 0 - 10 mm

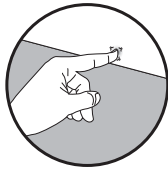


#### K PUSH TECH ADJUSTMENTS





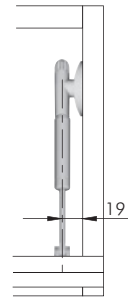
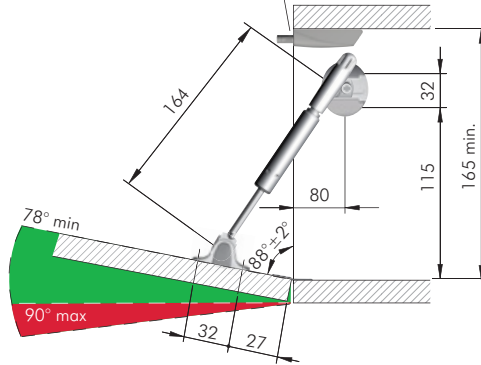
## KRABY 164 mm - DROP DOWN



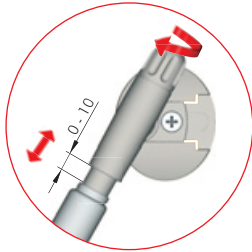
Push to open



K Push Tech the short with magnet visible or invisible



The dimensions of the drilling plan refer to carcasses which use flap hinges.



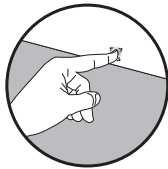
### OPEN ANGLE ADJUSTMENT:

Kraby provides 10 mm opening angle adjustment through the rotary knob. Combining Kraby with flap hinges, **it's strongly recommended to carry out the adjustment to get an opening angle 90° max.** Overcrossing 90° door opening angle, it negatively effects the flap hinges.

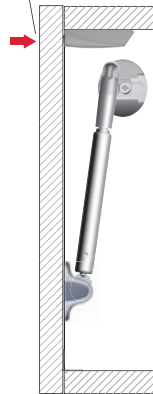
For pistons quantity to be specified according to door size, refer to the chart for "KRABY 164 mm - DROP DOWN".



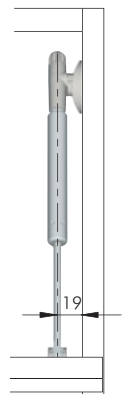
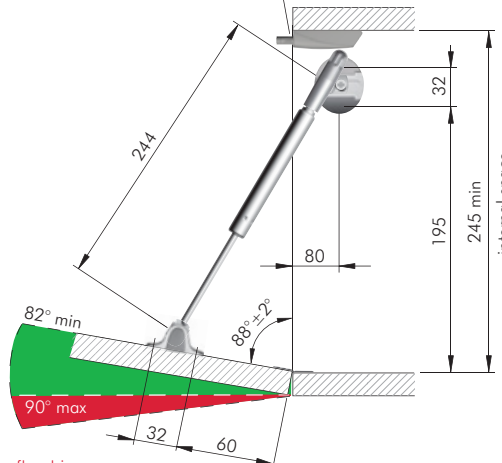
## KRABY 244 mm - DROP DOWN



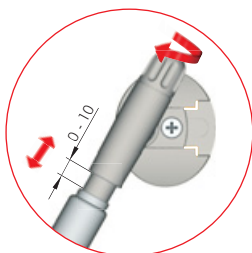
Push to open



K Push Tech the short with magnet visible or invisible



The dimensions of the drilling plan refer to carcasses which use flap hinges.



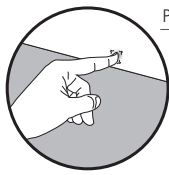
### OPEN ANGLE ADJUSTMENT:

Kraby provides 10 mm opening angle adjustment through the rotary knob. Combining Kraby with flap hinges, **it's strongly recommended to carry out the adjustment to get an opening angle 90° max.** Overcrossing 90° door opening angle, it negatively effects the flap hinges.

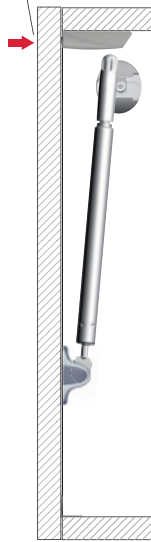
For pistons quantity to be specified according to door size, refer to the chart for "KRABY 244 mm - DROP DOWN".



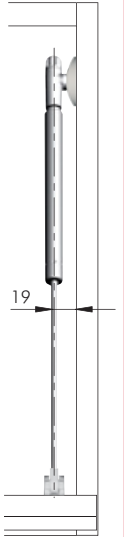
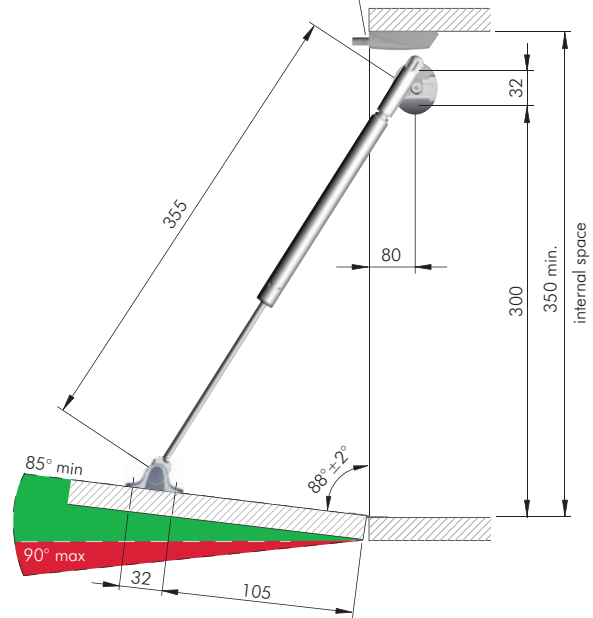
## KRABY 355 mm - DROP DOWN



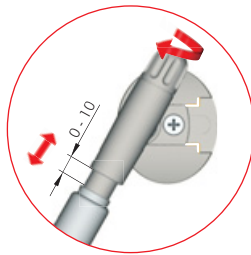
Push to open



K Push Tech the short with magnet visible or invisible



The dimensions of the drilling plan refer to carcasses which use flap hinges.



### OPEN ANGLE ADJUSTMENT:

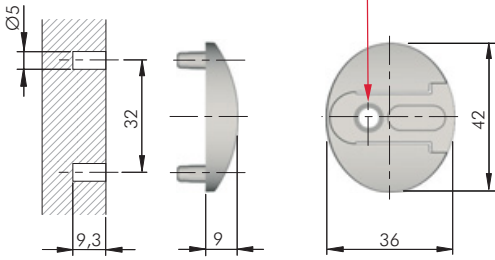
Kraby provides 10 mm opening angle adjustment through the rotary knob. Combining Kraby with flap hinges, **it's strongly recommended to carry out the adjustment to get an opening angle 90° max.** Overcrossing 90° door opening angle, it negatively effects the flap hinges.

For pistons quantity to be specified according to door size, refer to the chart for "KRABY 355 mm - DROP DOWN".



## KRABY BRACKETS

recommended fixing countersunk head wood screw  $\varnothing 4 \times 16$  mm



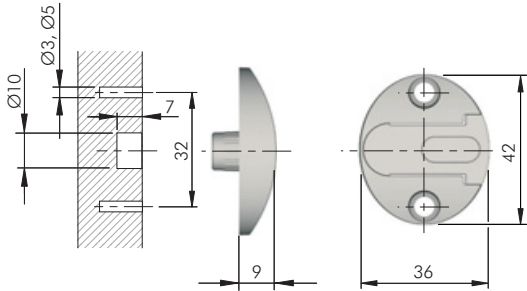
=  $\varnothing 5$  mm

ZA

= 100 pcs.



42901010YC



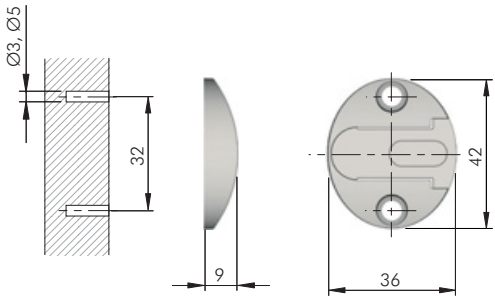
=  $\varnothing 3, \varnothing 5$  mm +  $\varnothing 10$  mm

ZA

= 100 pcs.



42901020YC



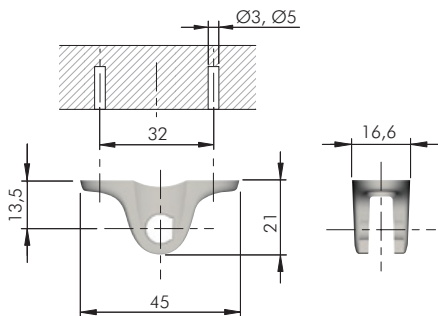
=  $\varnothing 3, \varnothing 5$  mm

ZA

= 100 pcs.



42901030YC



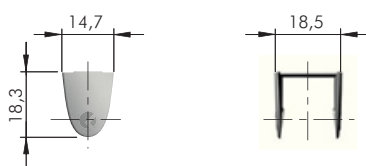
=  $\varnothing 3, \varnothing 5$  mm

ZA

= 100 pcs.



42918010YC



EPg

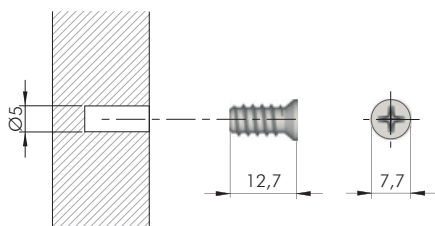
= 100 pcs.












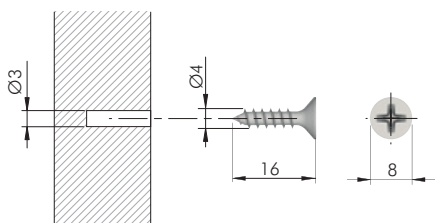
4291901000












## KRABY FIXING ACCESSORIES



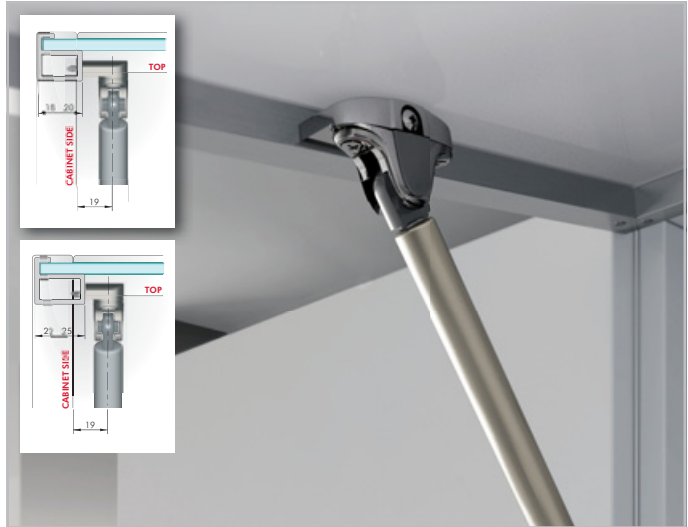
 = $\varnothing$ 5 mm	 
   = PZ2	
ST	 = 5000 pcs.
 123	
60501050YA	



 = $\varnothing$ 3 mm	 
   = PZ2	
ST	 = 5000 pcs.
 123	
60101570ZN	

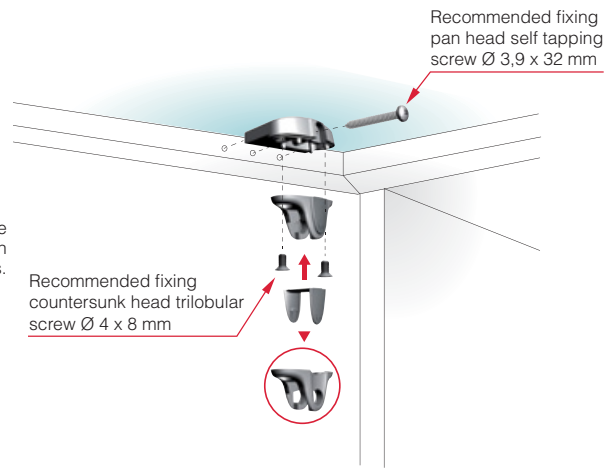
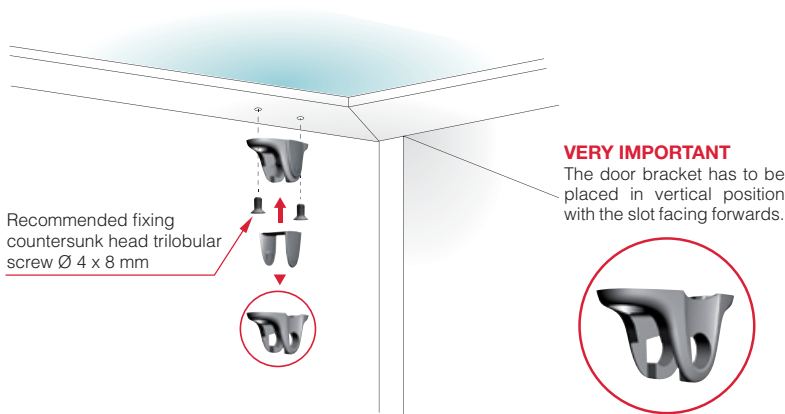


## KRABY ADAPTERS FOR ALUMINIUM FRAME DOOR

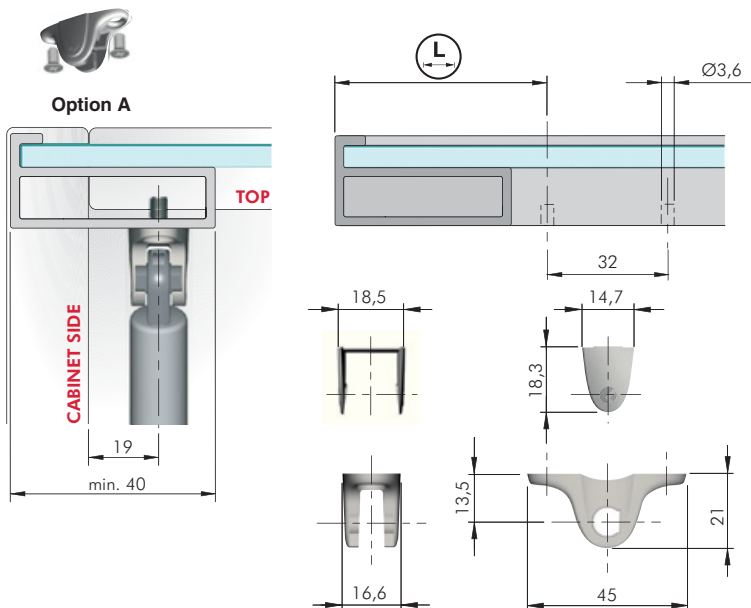


INSTALLATION ON WIDER ALUMINIUM FRAME DOOR

INSTALLATION ON NARROW ALUMINIUM FRAME DOOR



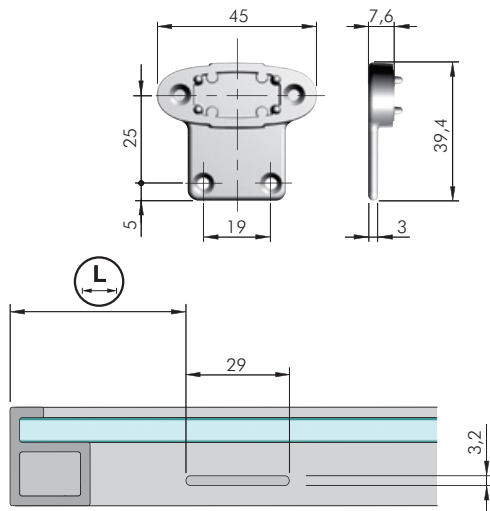
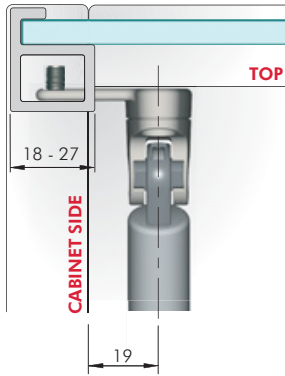
WIDER ALUMINIUM FRAME DOOR



	= Ø 3,6 mm		= 100 pcs.
ZA	EP		
42918010YC			
4291901000			



Option B



ZA

= 100 pcs.



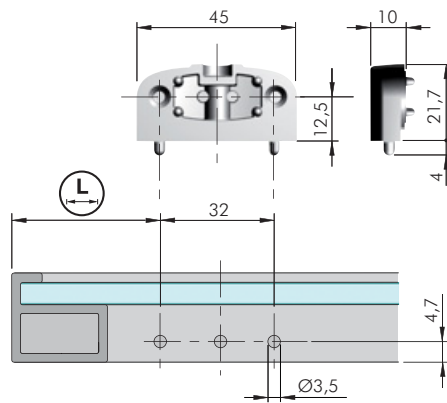
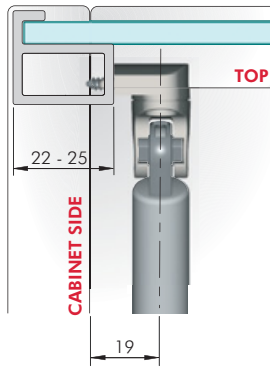
42903010YC

42918010YC

4291901000



Option C



=  $\varnothing 3,5$  mm

ZA

= 100 pcs.



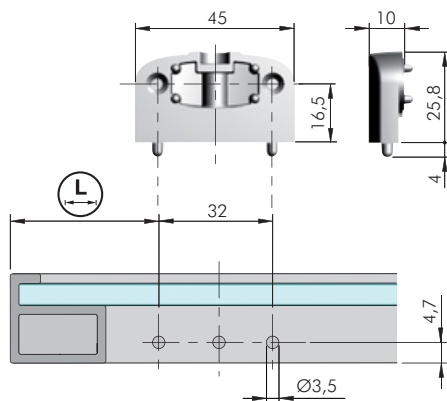
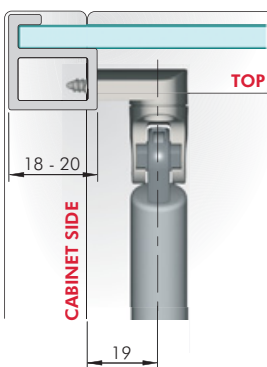
42904010YC

42918010YC

4291901000



Option D



=  $\varnothing 3,5$  mm

ZA

= 100 pcs.



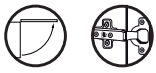
42905010YC

42918010YC

4291901000







**KRABY LIFT UP AUTOMATIC WITH STANDARD SPRUNG HINGES**



**KRABY LIFT UP FRICTION WITH STANDARD SPRUNG HINGES**



**KRABY DROP DOWN WITH STANDARD SPRUNG HINGES**

- For details refer to related sections



**KRABY LIFT UP WITH STANDARD UNSPRUNG OR NEGATIVE HINGES AUTOMATIC OPENING DOOR WITH K PUSH THE SHORT WITH MAGNET**

- For details refer to related sections



**KRABY DROP DOWN WITH KIMANA HINGES AND MAGNET K LOCK**



**KRABY DROP DOWN WITH FLAP HINGES AND MAGNET K LOCK**

- For details refer to related sections



**KRABY DROP DOWN WITH STANDARD UNSPRUNG OR NEGATIVE HINGES AUTOMATIC OPENING DOOR WITH K PUSH THE SHORT WITH MAGNET**

- For details refer to related sections



**KRABY DROP DOWN WITH KIMANA HINGES AUTOMATIC OPENING DOOR WITH K PUSH THE LONG WITH MAGNET**

- For details refer to related sections



**KRABY DROP DOWN WITH FLAP HINGES AUTOMATIC OPENING DOOR WITH K PUSH THE SHORT WITH MAGNET**

- For details refer to related sections

KRABY	L	
164	31	32,5
244	68	69,5
355	119	120,5
480	174	175,5

KRABY	L	
164	25	26,5
244	55	56,5
355	105	106,5

KRABY	L	
164	27	28,5
244	60	61,5
355	105	106,5

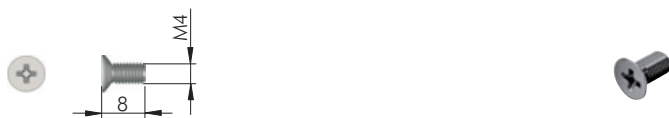
KRABY	L	
164	25	26,5
244	55	56,5
355	105	106,5

KRABY	L	
164	27	28,5
244	60	61,5
355	105	106,5

KRABY	L	
164	27	28,5
244	60	61,5
355	105	106,5



## ALUMINIUM ADAPTERS FIXING ACCESSORIES

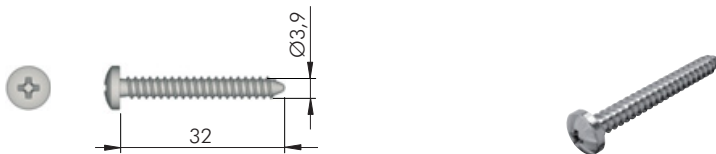


Icons: = PZ2  
ST = on request

123 |

42906010YA

For wider aluminium frame and for options A, B, C, D.

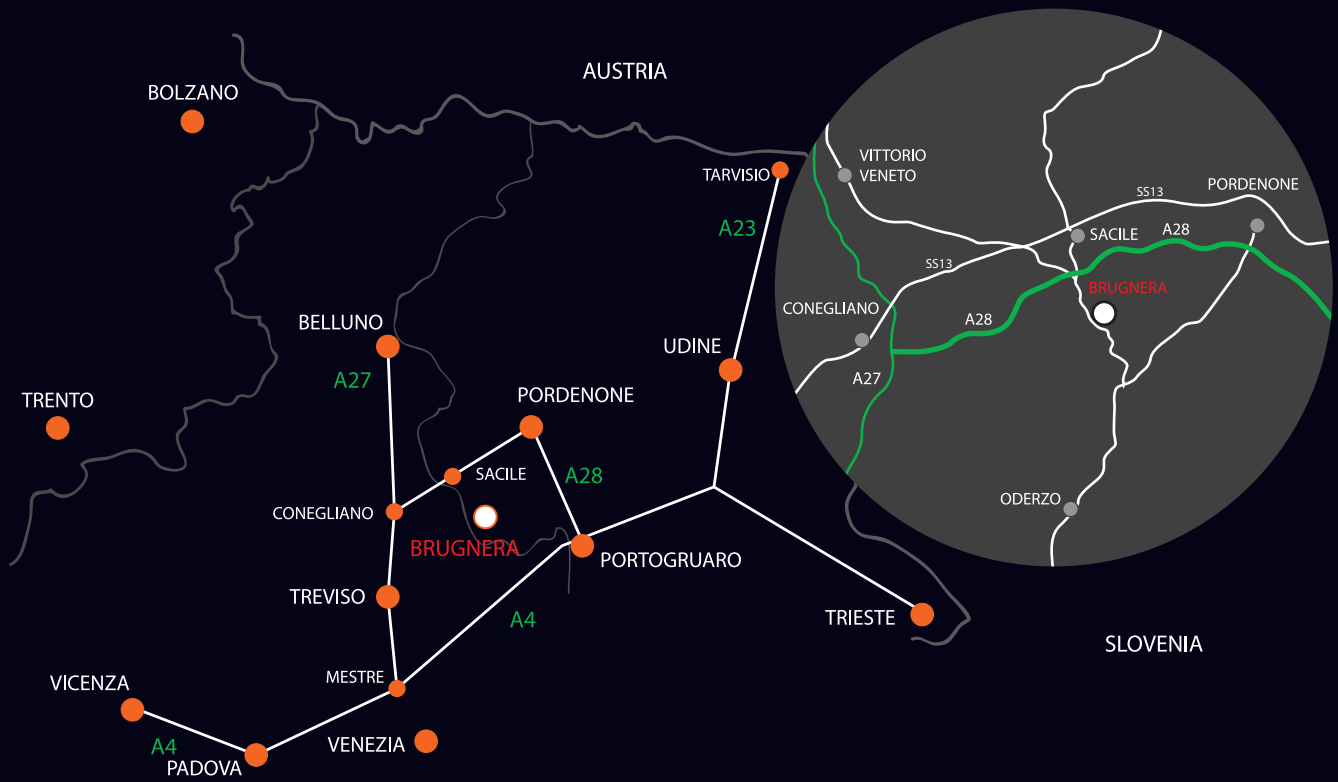


Icons: = PZ2  
ST = on request

123 |

60203410YA

For options C and D.



[www.italianaferramenta.com](http://www.italianaferramenta.com)