

LIBRA BS

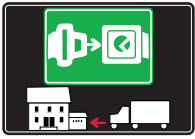


HANGERS



SYMBOLS AND FINISHES LEGEND

SYMBOLS



= SHELF SAFELY LOCKED DURING TRANSPORTATION AND AT HOME.



= ANTI-TURNOVER LOCKING SYSTEM



= NORMS / PATENTS



= PHILLIPS / POZIDRIV



= NEWTON



= PART.NO



= HEXAGONAL SOCKET



= FRICTION



= PCS. PER PACKAGE



= BLADE SLOT



= AUTOMATIC



= CAPACITY LOADING



= COUNTERSUNK HEAD



= WOOD / GLASS THICKNESS



= PAN HEAD



= STANDARD HINGE



= HOLE DIAMETER



= FLANGE HEAD



= KIMANA HINGE



= DIAMETER



= FLAT HEAD



= FLAP HINGE



= LENGTH



= TRILOBULAR SCREW



= WITH SPRING



= HEIGHT



= SELF-TAPPING SCREW



= WITHOUT SPRING



= RIGHT VERSION



= EURO THREAD



= REVERSED SPRING



= LEFT VERSION



= METRIC THREAD



= FOR ROUND TUBE



= PCS. PER PAD



= PRE-INSERTED SCREW AND SPREADING BUSH



= FOR OVAL TUBE



= CUT ON REQUEST



= WITH BUFFER



= WITH FLANGE



= SELF ADHESIVE



= WITH MAGNET

MATERIALS

ZA = Zinc Alloy	ST = Steel	HSS = High Speed Steel	BR = Brass	ABS = Acrylonitrile Butadiene Styrene
ZAnk = Nickel-plated Zinc Alloy	STzk = Zinc-plated Steel	AL = Aluminium	WD = Wood	EVA = Ethylene Vinyl Acetate

EP = **ENGINEERING PLASTIC**

+ **EP** = other engineering plastic available on request

SR = **SOFT RUBBER**

+ **SR** = other soft rubber available on request

EPn = Natural Engineering Plastic	EPc = Clear Engineering Plastic	SRn = Natural Soft Rubber
EPw = White Engineering Plastic	EPg = Grey Engineering Plastic	SRw = White Soft Rubber
EPwg = Water Green Engineering Plastic		SRb = Black Soft Rubber

FINISHES

+  = OTHER FINISHES AVAILABLE ON REQUEST

PART. NO	FINISHES	PART. NO	FINISHES	PART. NO	FINISHES
AA	Natural	JB	Bright Aluminium	PZ	Beech
AB	White	JC	Aluminium - Chrome	QA	Maple
AC	Opal White	JD	Matt Aluminium	QB	Walnut
AE	White 9010	JE	Satin-finished Aluminium	WA	Bronzed
AK	Champagne	JF	Aluminium - Brass	WI	Burnished
AL	Ivory	JG	Aluminium 5	XD	Satin-finished Steel
EA	Black	JL	Aluminium PE 11	YA	Nickel-plated
EB	Glossy Black	JM	Aluminium RAL 9006	YB	Bright Nickel-plated
EC	Matt Black	KA	Chrome	YC	Matt Nickel-plated
GR	Raw	KB	Bright Chrome	YD	Satin-finished Nickel-plated
HA	Brass-Plated	KC	Matt Chrome	ZA	Zinc alloy
HH	Tropicalized	MA	Brown	ZN	Zinc-plated
HL	Raw Brass	MB	Light Brown 1	ZQ	Bright Gold
IA	Grey	NN	Metallic Beige	ZY	Titanium
IB	Metallic Grey	NO	Beige	ZZ	Clear
IF	Middle Grey	OA	Oak	00	Insignificant finish
IJ	Light Grey	OZ	Ash		
IL	Grey 20	PA	Light Ash		
JA	Aluminium	PY	Cherry		

LIBRA BS APPLICATIONS

BENEFITS OF LIBRA BS HANGING SYSTEM:

- Vertical and in-depth adjustments, with integrated locking of the cabinet, can be easily and smoothly carried out from the inside.
- The hanging system is never interfering with the slides for drawers thanks to the slim side bracket wings.
- Absolutely no mills, nor grooves required on the side panels.

In the **current absence of a unifying European norm** which sets the standards for testing procedures aimed at defining capacity loadings of hanging systems conceived for suspended base units, we Italiana Ferramenta have simulated some of the most critical scenarios. The following simulations are meant to give our customers valid reference points concerning cabinet dimensions, weights, recommended loading capacity even when loaded drawers are opened. **The reported data, empirically obtained, exclusively refer to the constructions and examples shown, correctly positioned and assembled.**

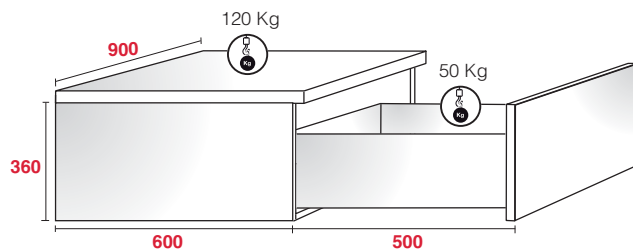
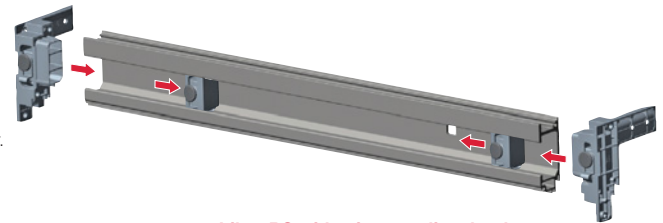
The customer must ensure that the wall is of suitable quality and structure.

Other important factors to be taken into consideration are determined by:

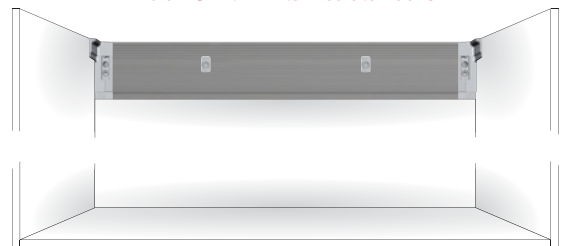
- the type of side panel, the actual thickness and the material used.
- the type and dimensions of the screws used.
- the actual positioning, depth and width of the groove milled for the back side installation.
- the capacity loading of the drawer slides used as well as the actual construction of the drawer.

We always recommend to test a complete cabinet.

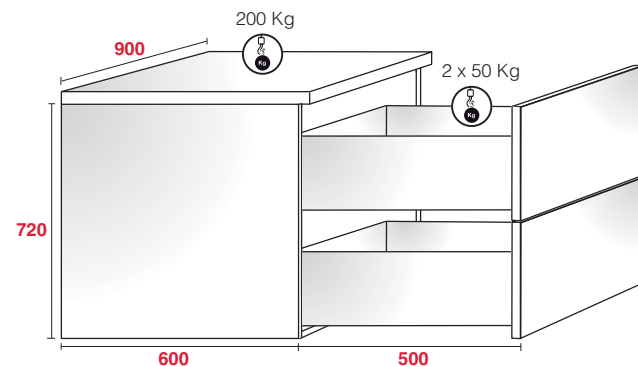
For cases which differ from the ones reported, please contact us.



Libra BS with 2 intermediate hooks



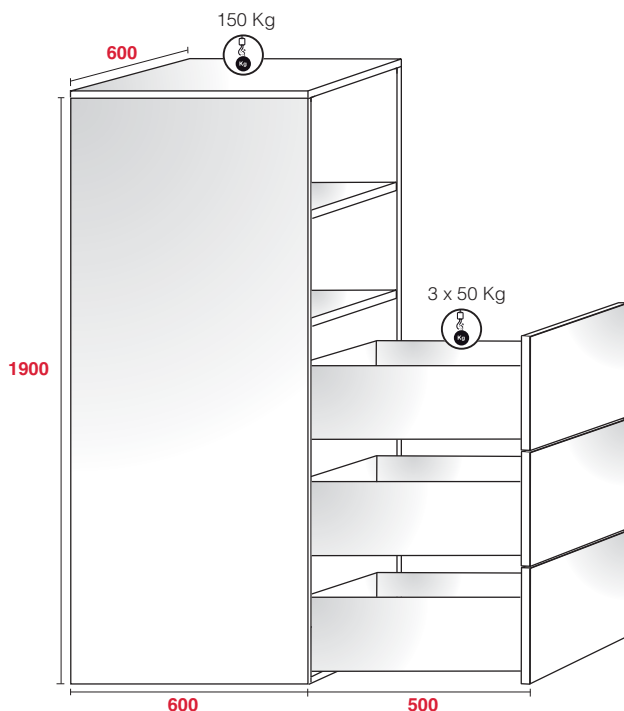
The reported data, empirically obtained, exclusively refer to the constructions and examples shown, correctly positioned and assembled.



Libra BS with 2 intermediate hooks



The reported data, empirically obtained, exclusively refer to the constructions and examples shown, correctly positioned and assembled.



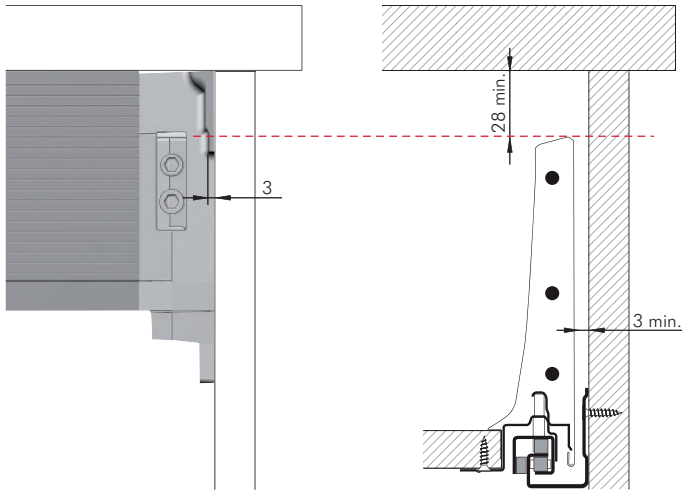
Libra BS with 1 intermediate hook



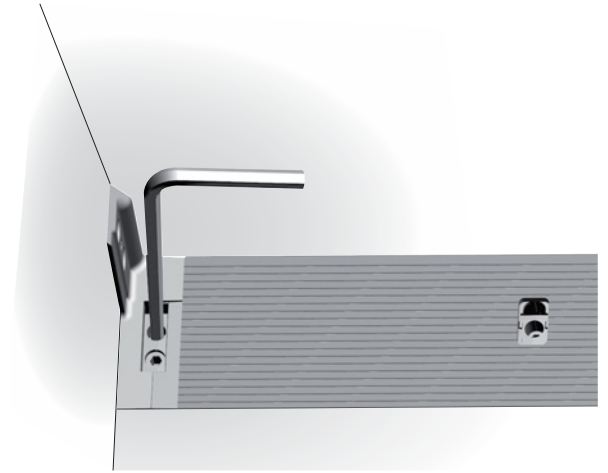
The reported data, empirically obtained, exclusively refer to the constructions and examples shown, correctly positioned and assembled.



The hanging system is never interfering with the slides for drawers thanks to the slim side bracket wings.

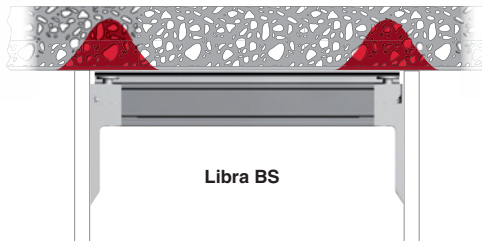


Easy access to the adjustments

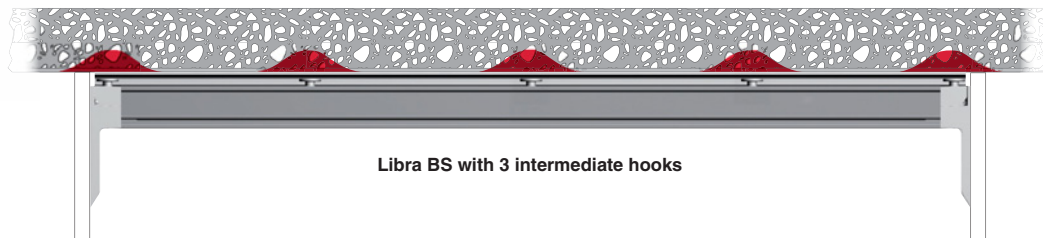
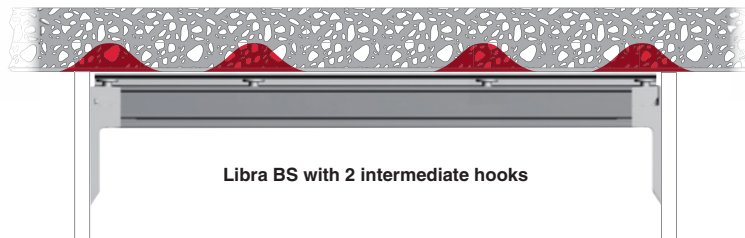
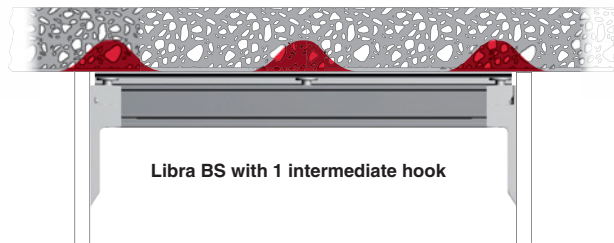


The slim side bracket makes the use of tools very easy and comfortable as there is plenty of space between the side and the allen wrench.

■ = STRESS INTENSITY LEVEL ON THE WALL



By adding intermediate hooks to Libra BS, the capacity loading is more evenly distributed, thus sensibly reducing the stress intensity level on the wall.



LIBRA BS

LIBRA BS is the innovative hanging system for suspended kitchen base units which require big capacity load as well as bumping loads.

LIBRA BS offers the customer the possibility to several hanging points on the wall, so that the load on every single wall plug is sensibly reduced, thus minimizing the risk of coming out of the wall.

A higher security standard is also guaranteed by the robustness of the wall bar, which, thanks to its thickness, gives the construction the highest stability thanks to its large supporting surface.

From a security point of view, the placement of the fixing holes to the wall has been optimized. **LIBRA BS** is easily adjustable in vertical and in depth even when the base unit is already fixed to the wall.

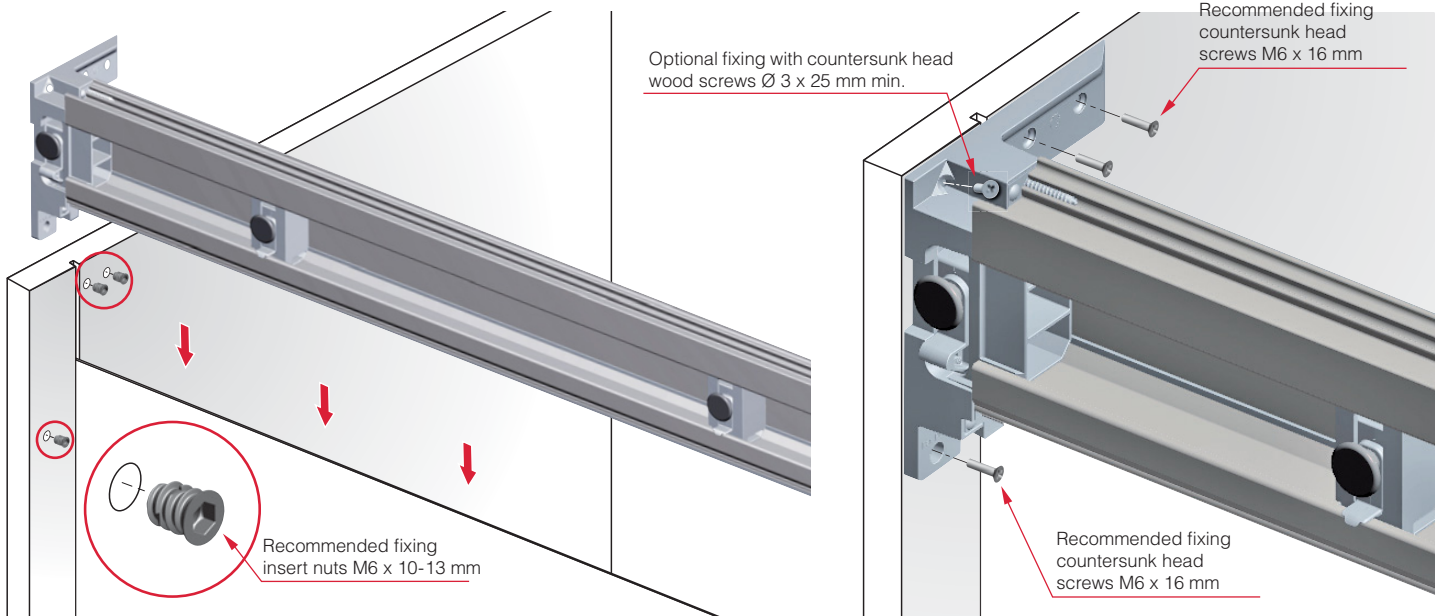
To further improve the safety of **LIBRA BS**, the in-depth adjustment automatically activates the anti-turnover device.

LIBRA BS is the ideal system for very high loads, even with very deep constructions and particularly large and heavy drawers.

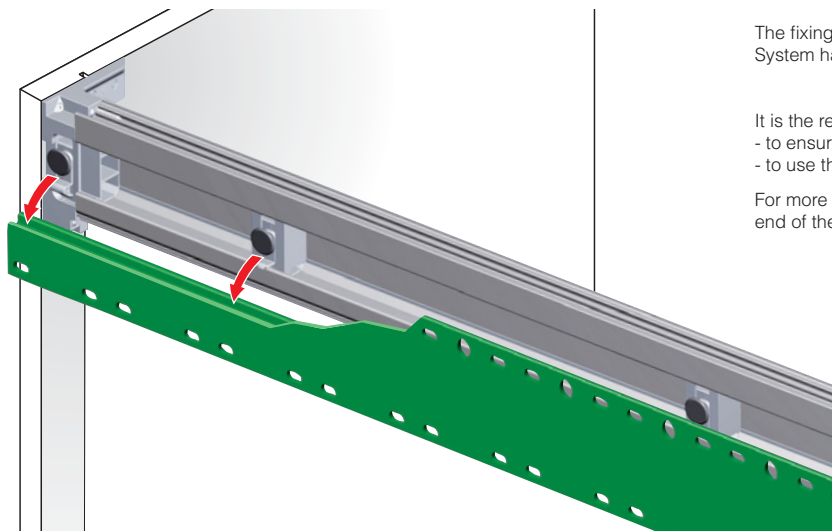
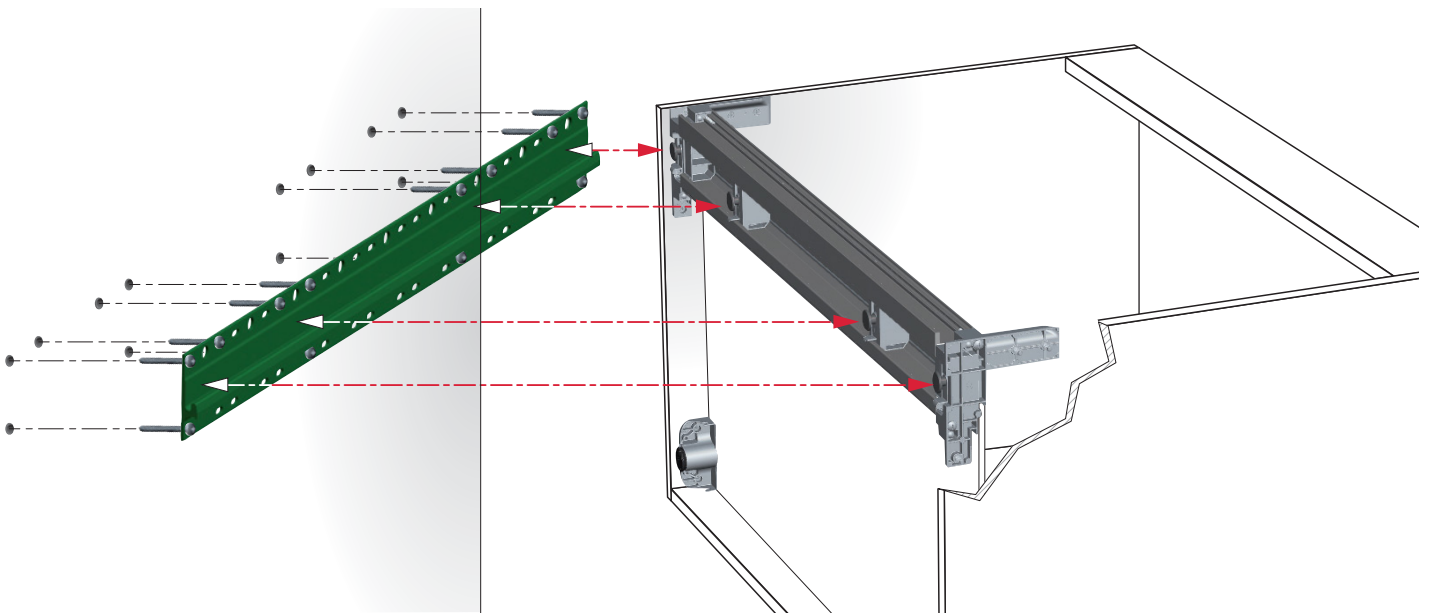




APPLICATION OF THE LIBRA BASE SYSTEM TO THE SUSPENDED BASE CABINET



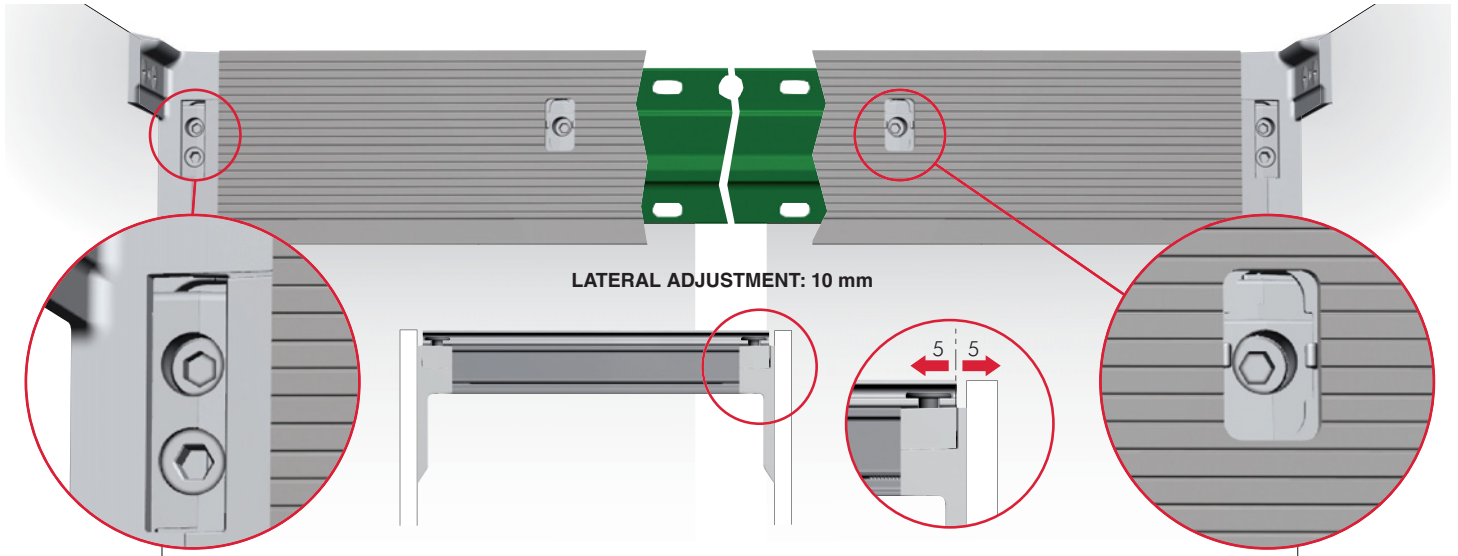
WALL BAR INSTALLATION AND CABINET HANGING



The fixing screws for the wall bar have to be aligned with the LIBRA Base System hanging hooks.

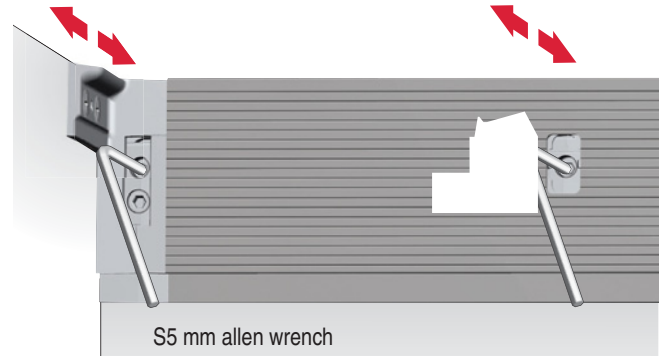
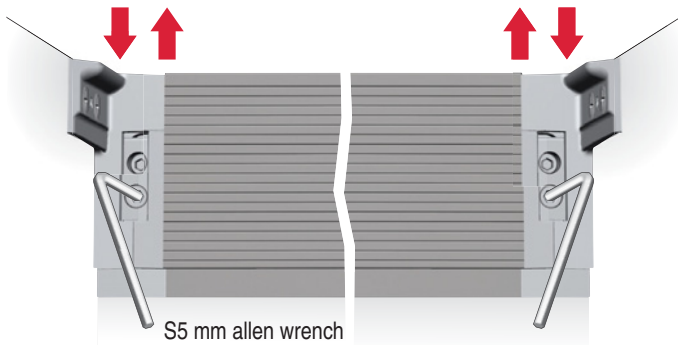
It is the responsibility of the customer:
- to ensure that the wall is of a suitable quality to hold the unit fixing in place.
- to use the proper hardware fittings according to the construction of the wall.

For more specific information, please refer to the WARNINGS section at the end of the catalogue.



VERTICAL ADJUSTMENT: 15 mm

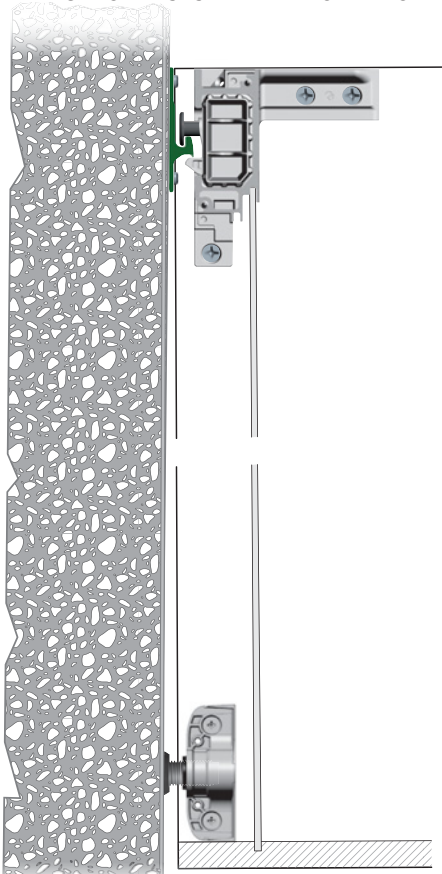
IN-DEPTH ADJUSTMENT: 10 mm



Vertical adjustment to be carried out through both side hangers. The intermediate hooks consequently follow the vertical adjustment carried out through the side hangers.

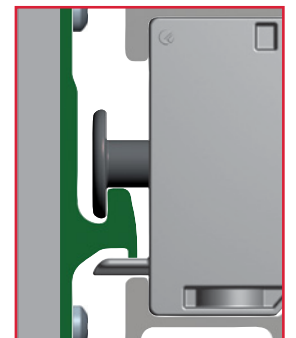
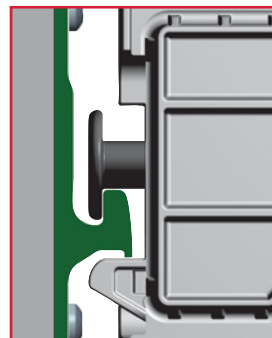
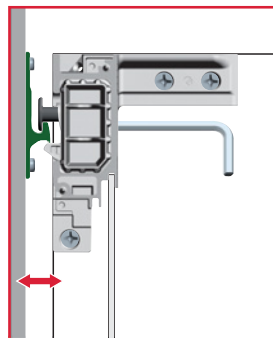
In-depth adjustment to be carried out progressively through side hangers and intermediate hooks.

ANTI-TURNOVER SYSTEM AND INCLINATION ADJUSTMENT

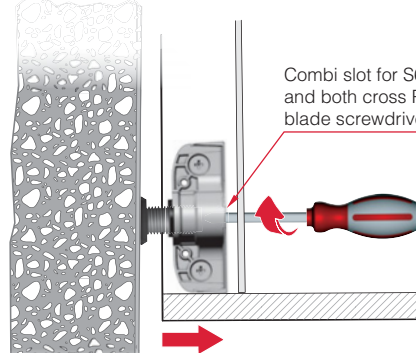


SIDE HANGERS

INTERMEDIATE HOOKS



The self-inserting anti-turnover device is carried out after 6 mm of in-depth adjustment.

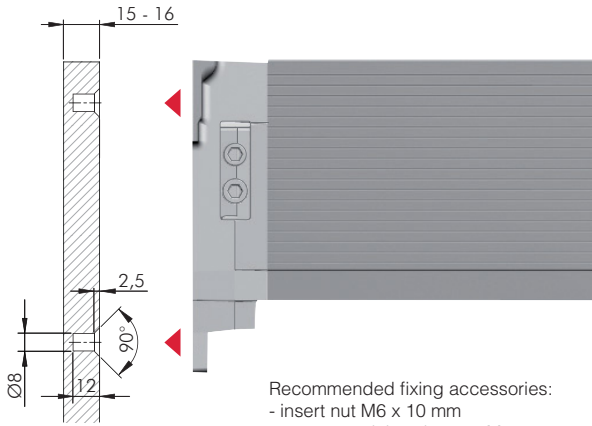


Inclination adjustment if required

- For details refer to section "LIBRAS BS LEVELLER"

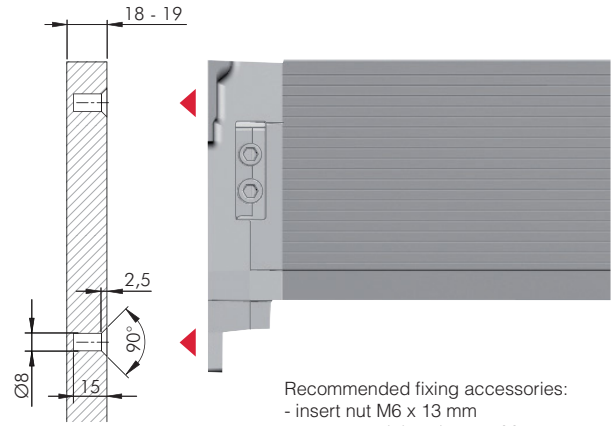


SIDE PANEL 15 - 16 MM THICK



Recommended fixing accessories:
- insert nut M6 x 10 mm
- countersunk head screw M6 x 16 mm

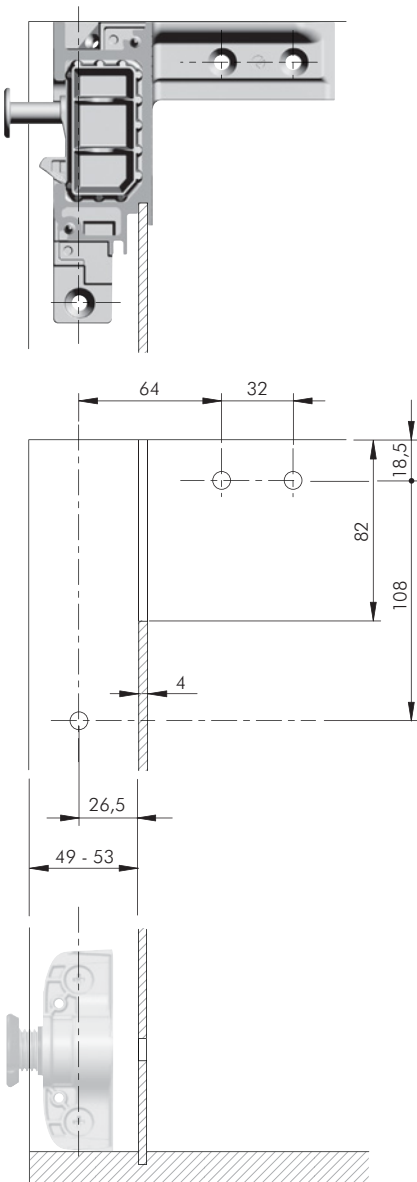
SIDE PANEL 18 - 19 MM THICK



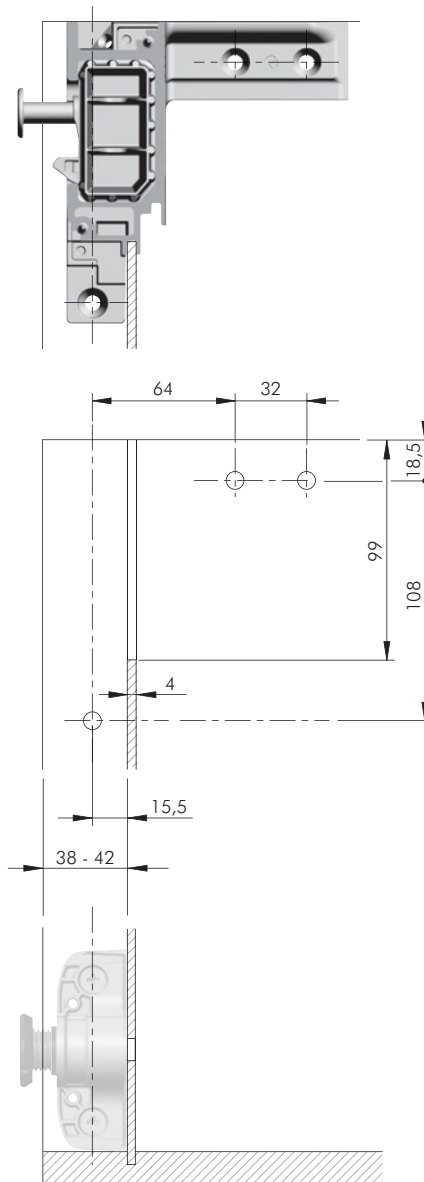
Recommended fixing accessories:
- insert nut M6 x 13 mm
- countersunk head screw M6 x 16 mm

SIDE PANEL DRILLING AND MILLING FOR VARIOUS BACK PANEL DIMENSIONS

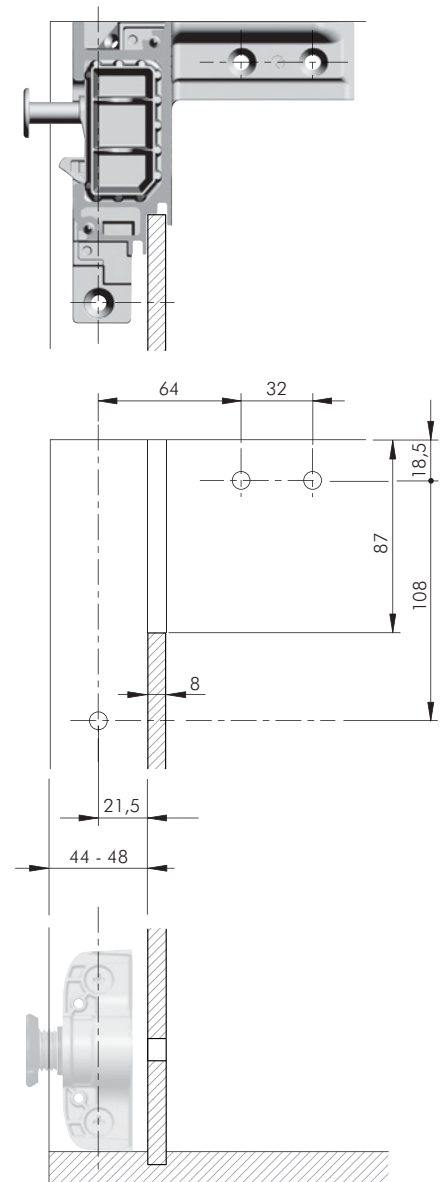
BACK PANEL WOOD THICKNESS 4 MM
PLACED IN THE HIGHER SLOT



BACK PANEL WOOD THICKNESS 4 MM
PLACED IN THE LOWER SLOT



BACK PANEL WOOD THICKNESS 8 MM



LIBRA BS WITH END ELEMENTS PRE-MOUNTED

READY FOR INSTALLATION



ST AL ZA EP = on request

1 2 3

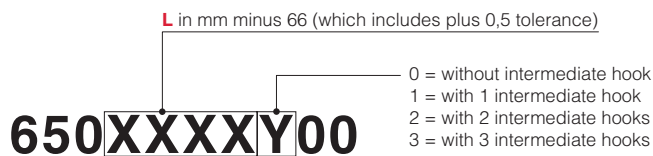
650 XXXX Y 00

NOTE:

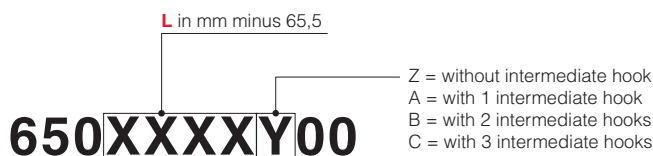
- LIBRA BS is supplied in carton box including 1 piece plus 1 LIBRA BS WALL BAR.
- LIBRA BS WALL BAR is supplied 10 mm shorter than LIBRA BS for lateral adjustment.



If **L** in mm is equal to a whole number use following code system:



If **L** in mm is equal to a number ending with a plus 0,5 mm use following code system:

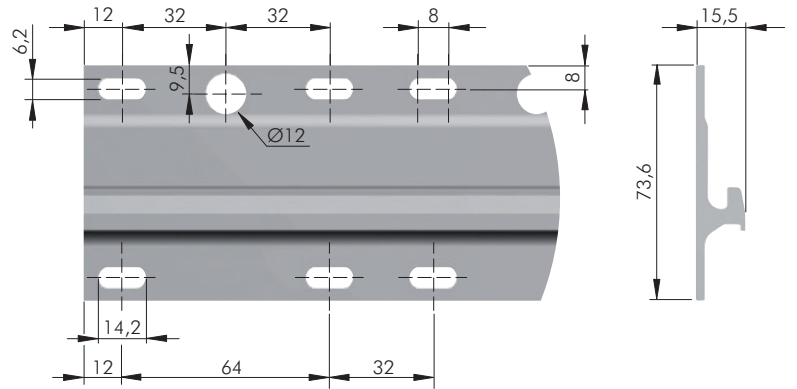
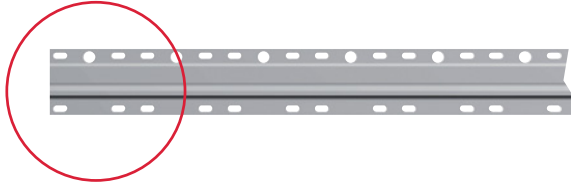


SUGGESTED COMBINATIONS:

CABINET WIDTH (mm)	INTERMEDIATE HOOK
450	-
500	-
600	1
700	1
800	2
900	2
1000	2
1100	2
1200	3
1500	3

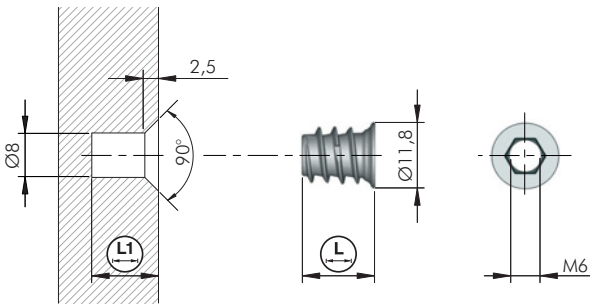


WALL BAR DETAIL

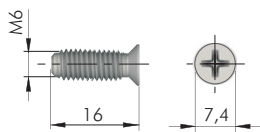


NOTE:
LIBRA BS WALL BAR is supplied 10 mm shorter than LIBRA BS for lateral adjustment.

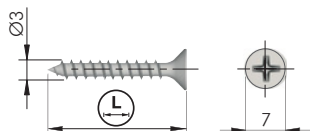
LIBRA BS FIXING ACCESSORIES



= Ø 8 mm	= M6	
= S6		
ZA	= 5000 pcs.	
123	L	L1
20102010GR	10	12
20102020GR	13	15



= M6	= PZ2	
ST	= 1000 pcs.	
123		
60308040ZN		



= PZ2	
ST	= 8000 pcs.
123	L
60101240ZN	25
60101250ZN	30

LIBRA BS WITH BOTH END ELEMENTS DISMOUNTED FOR CABINET 450 - 500 MM WIDE

TO BE CUT BY THE CUSTOMER

Side panel thickness	Cabinet width					
	450			500		
	B	L	L1	A	L	L1
15 mm	50	354,5	410	0	404,5	460
16 mm	52	352,5	408	2	402,5	458
18 mm	56	348,5	404	6	398,5	454
19 mm	58	346,5	402	8	396,5	452

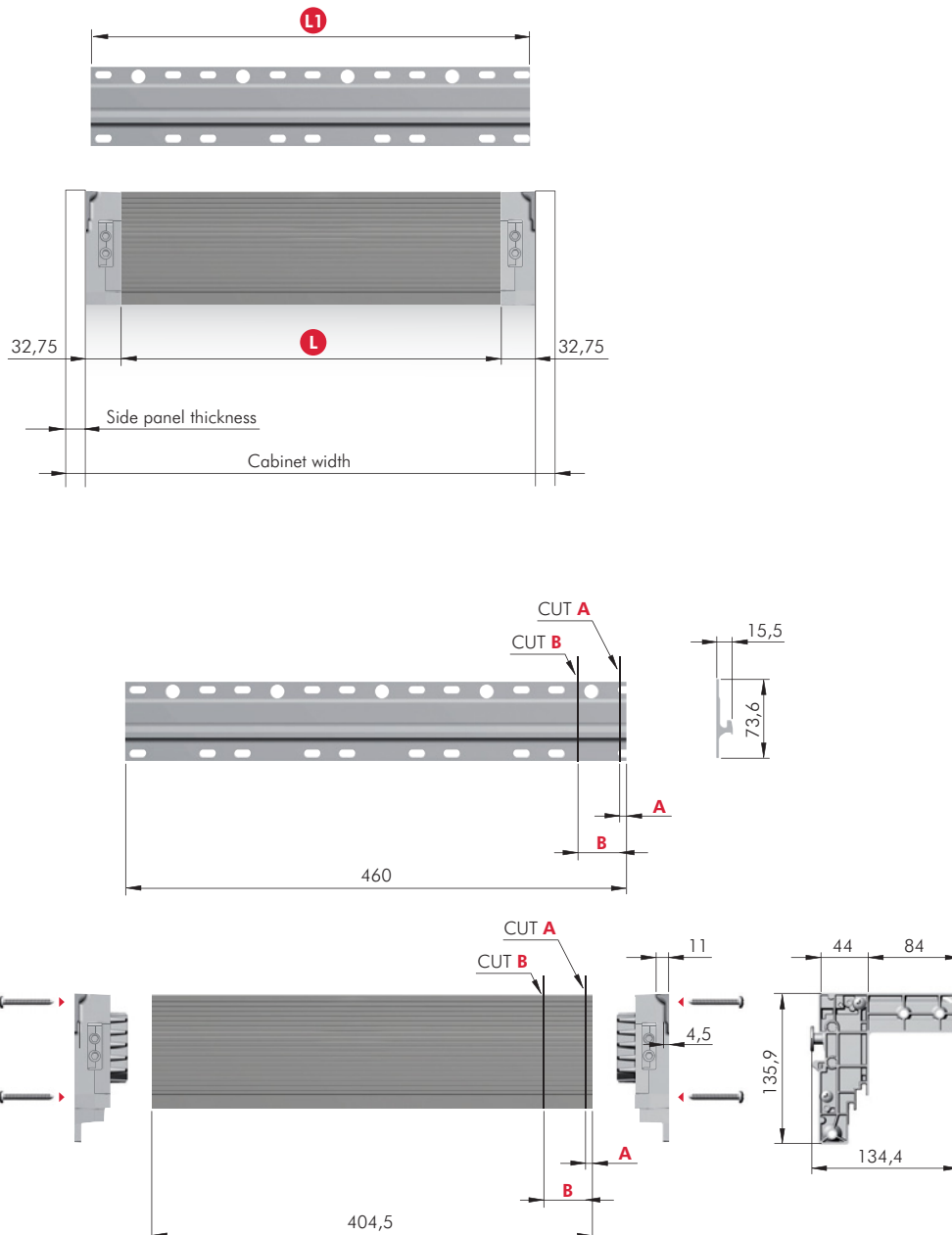
ST AL ZA EP = on request

123

6500001900

NOTE:

- LIBRA BS without intermediate hooks is supplied in carton box including 1 piece (end elements not fully assembled and 4 fixing screws separately bagged), plus related LIBRA BS WALL BAR.
- The customer must ensure that LIBRA BS WALL BAR measures 10 mm shorter than LIBRA BS for lateral adjustment.





LIBRA BS WITH BOTH END ELEMENTS DISMOUNTED FOR CABINET 600 - 900 MM WIDE

TO BE CUT BY THE CUSTOMER

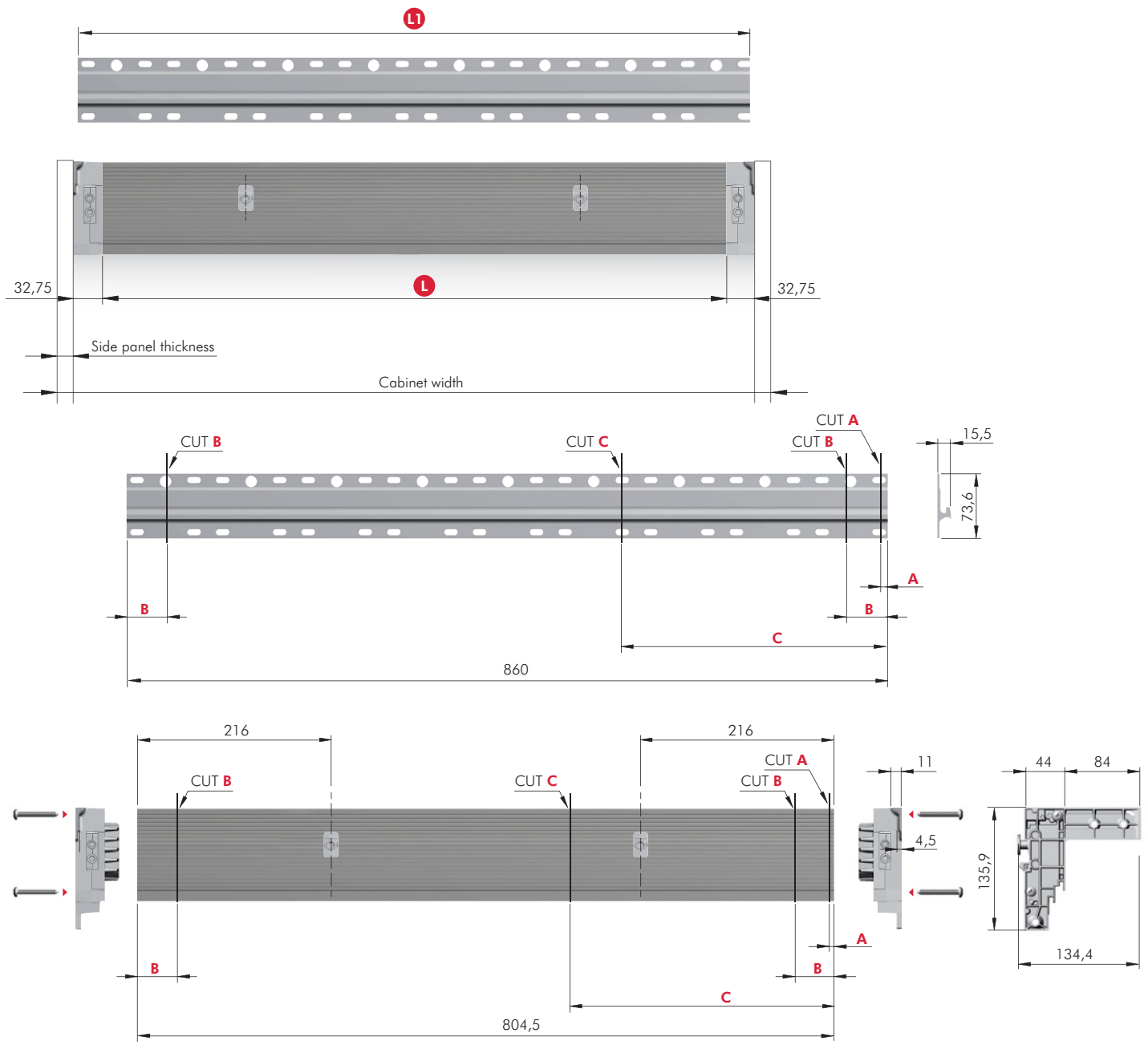
Side panel thickness	Cabinet width											
	600			700			800			900		
	C	L	L1	B	L	L1	B	L	L1	A	L	L1
15 mm	300	504,5	560	100	604,5	660	50	704,5	760	0	804,5	860
16 mm	302	502,5	558	101	602,5	658	51	702,5	758	2	802,5	858
18 mm	306	498,5	554	103	598,5	654	53	698,5	754	6	798,5	854
19 mm	308	496,5	552	104	596,5	652	54	696,5	752	8	796,5	852

ST AL
ZA EP

= on request

6500002900


NOTE:
 - LIBRA BS with 2 intermediate hooks is supplied in carton box including 1 piece (end elements not fully assembled and 4 fixing screws separately bagged), plus related LIBRA BS WALL BAR.
 - The customer must ensure that LIBRA BS WALL BAR measures 10 mm shorter than LIBRA BS for lateral adjustment.





LIBRA BS WITH BOTH END ELEMENTS DISMOUNTED FOR CABINET 1000 - 1200 MM WIDE

TO BE CUT BY THE CUSTOMER

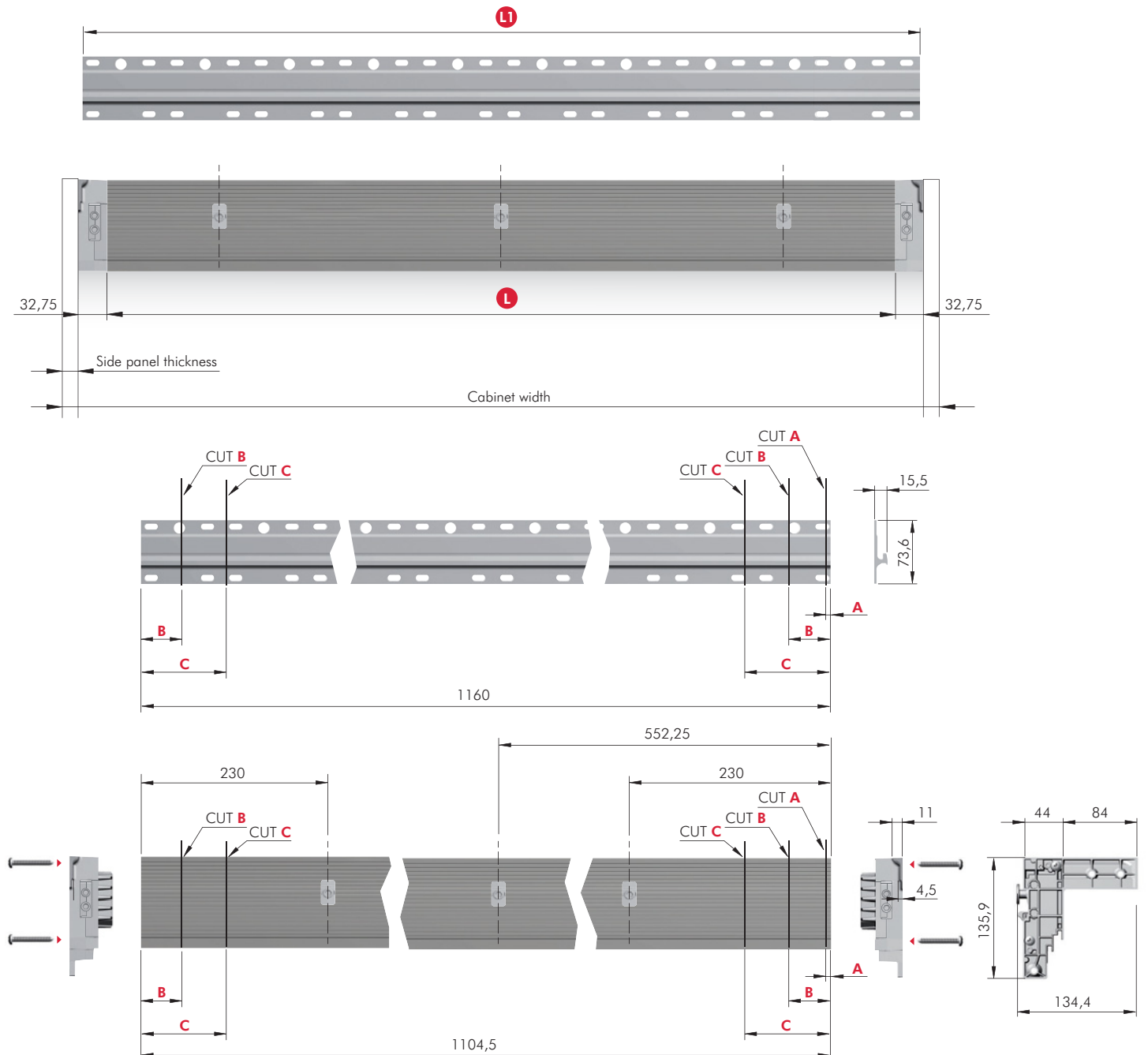
Side panel thickness	Cabinet width								
	1000			1100			1200		
	C	L	L1	B	L	L1	A	L	L1
15 mm	100	904,5	960	50	1004,5	1060	0	1104,5	1160
16 mm	101	902,5	958	51	1002,5	1058	2	1102,5	1118
18 mm	103	898,5	954	53	998,5	1054	6	1098,5	1108
19 mm	104	896,5	952	54	996,5	1052	8	1096,5	1104

ST AL ZA EP  = on request

 123 

6500003900

NOTE:
 - LIBRA BS with 3 intermediate hooks is supplied in carton box including 1 piece (end elements not fully assembled and 4 fixing screws separately bagged), plus related LIBRA BS WALL BAR.
 - The customer must ensure that LIBRA BS WALL BAR measures 10 mm shorter than LIBRA BS for lateral adjustment.





LIBRA BS WITH BOTH END ELEMENTS DISMOUNTED FOR CABINET 1500 MM WIDE

TO BE CUT BY THE CUSTOMER

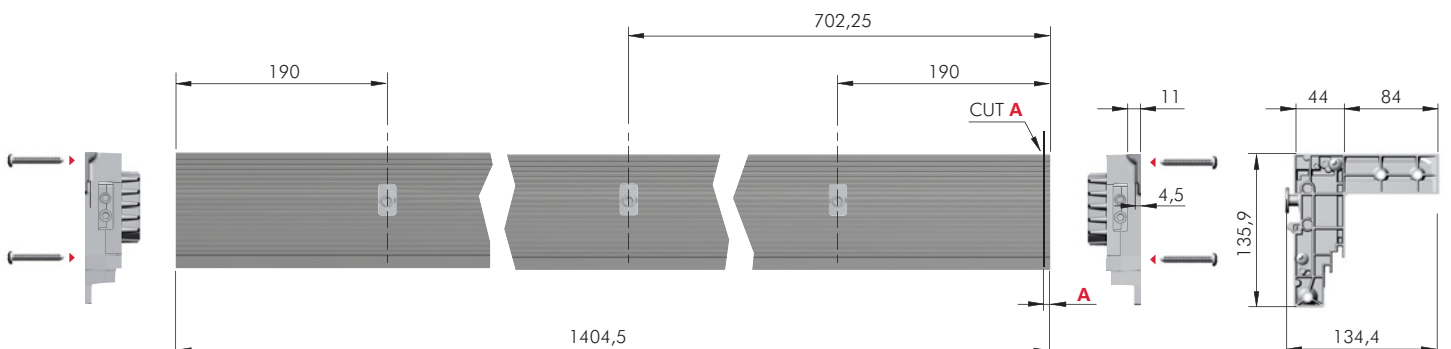
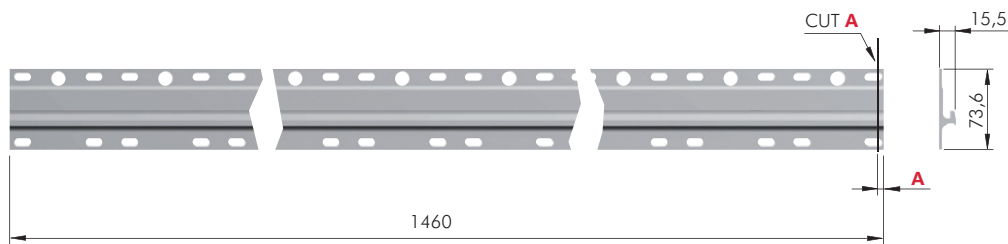
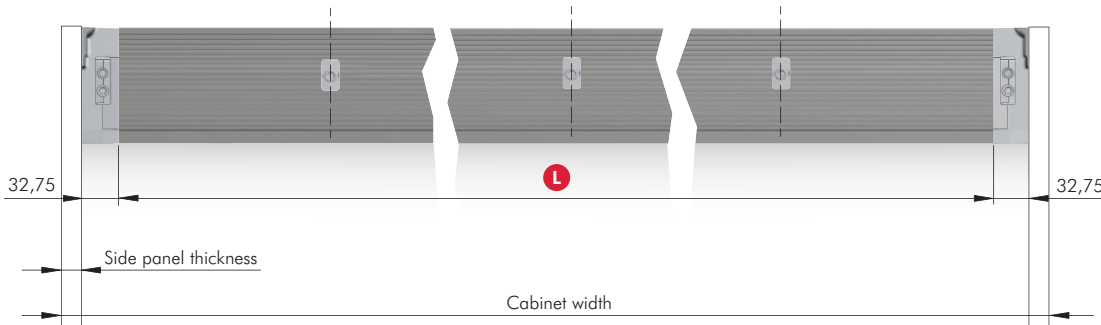
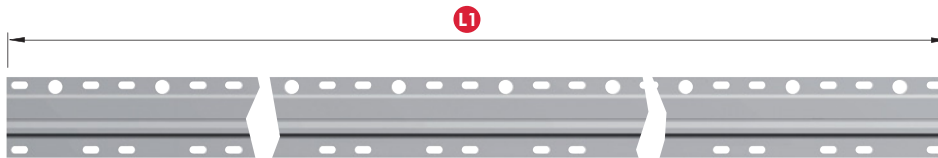
Side panel thickness	Cabinet width		
	1500		
	A	L	L1
15 mm	0	1404,5	1460
16 mm	2	1402,5	1458
18 mm	6	1398,5	1454
19 mm	8	1396,5	1452

ST AL ZA EP
 = on request

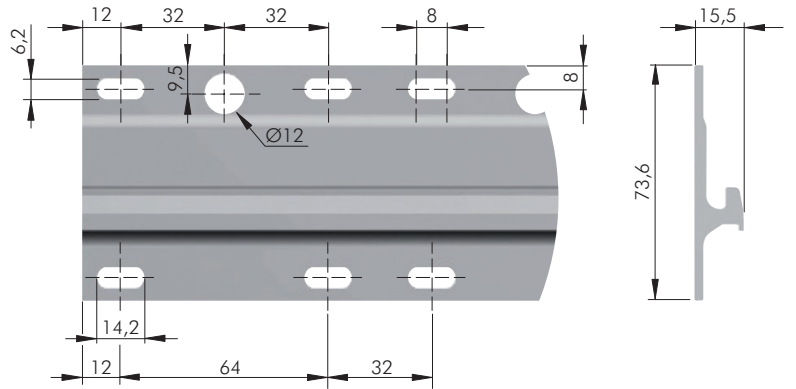
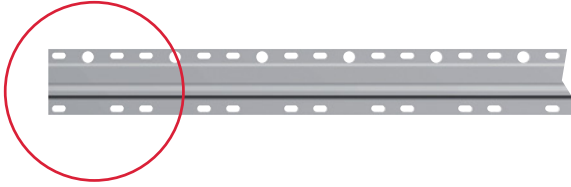
6500004900

NOTE:

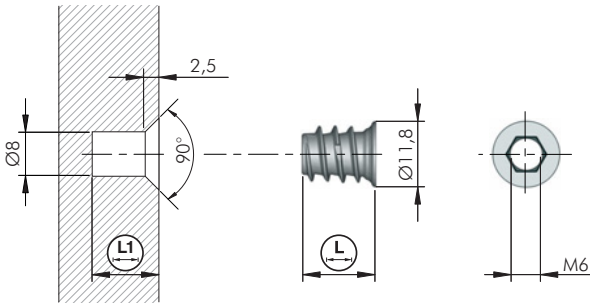
- LIBRA BS with 3 intermediate hooks is supplied in carton box including 1 piece (end elements not fully assembled and 4 fixing screws separately bagged), plus related LIBRA BS WALL BAR.
- The customer must ensure that LIBRA BS WALL BAR measures 10 mm shorter than LIBRA BS for lateral adjustment.














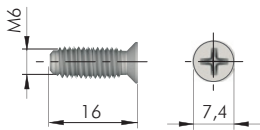
WALL BAR DETAIL











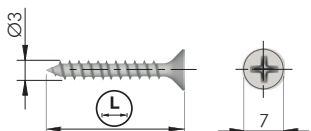
LIBRA BS FIXING ACCESSORIES












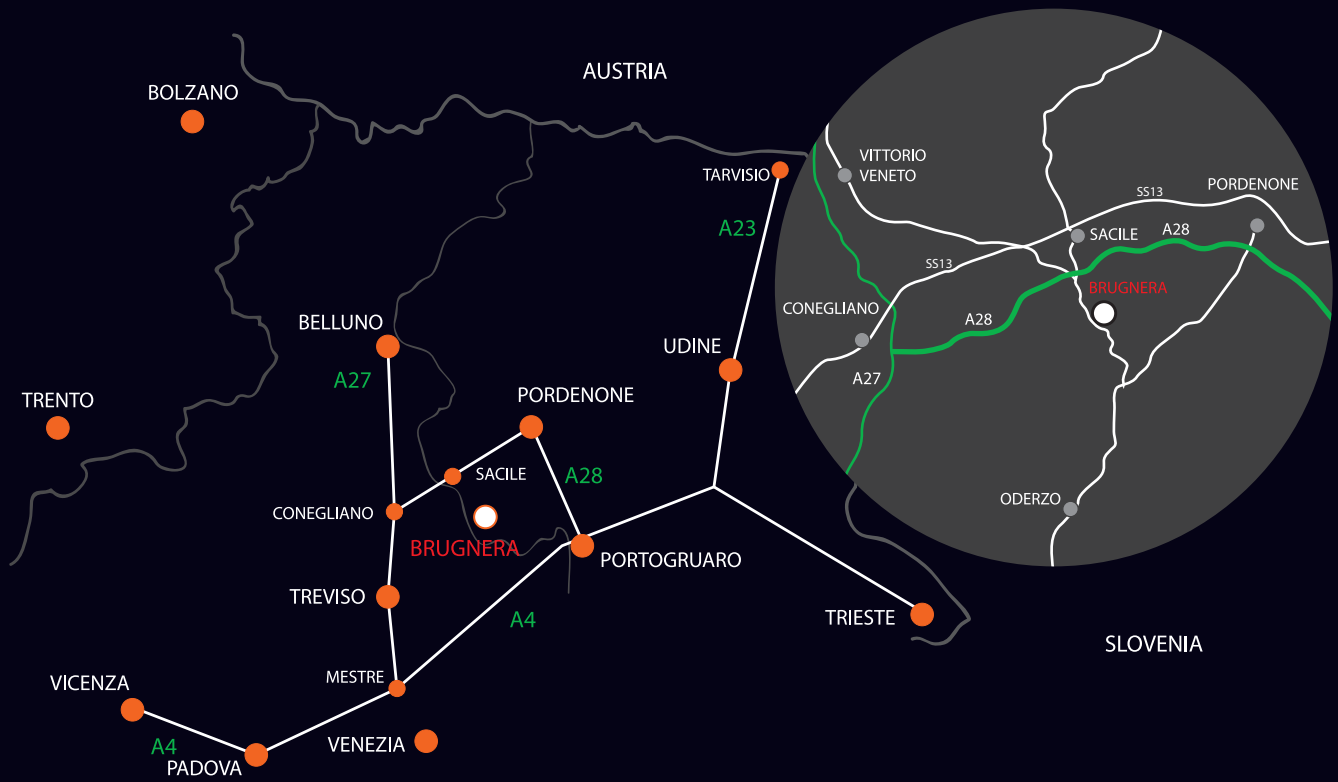
 = Ø 8 mm	 = M6	
 	= S6	
 ZA	 = 5000 pcs.	
 123 		
20102010GR	10	12
20102020GR	13	15



 	= M6	 = PZ2	
 ST	 = 1000 pcs.		
 123 	60308040ZN		



  	= PZ2	
 ST	 = 8000 pcs.	
 123 		
60101240ZN	25	
60101250ZN	30	



www.italianaferramenta.com