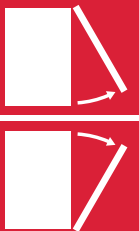


LINK OPENING SYSTEM



OPENING
SYSTEMS
FOR FLAP AND
DROP DOWN
DOORS



SYMBOLS AND FINISHES LEGEND

SYMBOLS



= SHELF SAFELY LOCKED DURING TRANSPORTATION AND AT HOME.



= ANTI-TURNOVER LOCKING SYSTEM



= NORMS / PATENTS



= PHILLIPS / POZIDRIV



= NEWTON



= PART.NO



= HEXAGONAL SOCKET



= FRICTION



= PCS. PER PACKAGE



= BLADE SLOT



= AUTOMATIC



= COMBI SLOT



= DROP DOWN



= CAPACITY LOADING



= COUNTERSUNK HEAD



= WOOD / GLASS THICKNESS



= PAN HEAD



= STANDARD HINGE



= HOLE DIAMETER



= FLANGE HEAD



= KIMANA HINGE



= DIAMETER



= FLAT HEAD



= FLAP HINGE



= LENGTH



= TRILOBULAR SCREW



= WITH SPRING



= HEIGHT



= SELF-TAPPING SCREW



= WITHOUT SPRING



= RIGHT VERSION



= EURO THREAD



= REVERSED SPRING



= LEFT VERSION



= METRIC THREAD



= SETTING CODE



= PRE-INSERTED SCREW



= FOR ROUND TUBE



= PCS. PER PAD



= PRE-INSERTED SCREW AND SPREADING BUSH



= FOR OVAL TUBE



= CUT ON REQUEST



= WITH BUFFER



= SELF ADHESIVE



= WITH MAGNET



= WITH FLANGE

NOTE: Printing errors and omissions may exist despite our best efforts to ensure accuracy. We reserve the right to alter specifications without notice.

MATERIALS

ZA = Zinc Alloy

ST = Steel

HSS = High Speed Steel

BR = Brass

ABS = Acrylonitrile Butadiene Styrene

ZAnk = Nickel-plated Zinc Alloy

STzk = Zinc-plated Steel

AL = Aluminium

WD = Wood

EVA = Ethylene Vinyl Acetate

EP = **ENGINEERING PLASTIC**

+ **EP** = other engineering plastic available on request

SR = **SOFT RUBBER**

+ **SR** = other soft rubber available on request

EPn = Natural Engineering Plastic

EPc = Clear Engineering Plastic

SRn = Natural Soft Rubber

EPw = White Engineering Plastic

EPg = Grey Engineering Plastic

SRw = White Soft Rubber

EPwg = Water Green Engineering Plastic

SRb = Black Soft Rubber



FINISHES



= OTHER FINISHES AVAILABLE ON REQUEST

PART. NO	FINISHES	PART. NO	FINISHES	PART. NO	FINISHES
AA	Natural	JB	Bright Aluminium	QB	Walnut
AB	White	JC	Aluminium - Chrome	RO	Red
AC	Opal White	JD	Matt Aluminium	UZ	T -Met
AE	White 9010	JE	Satin-finished Aluminium	WA	Bronzed
AK	Champagne	JF	Aluminium - Brass	WI	Burnished
AL	Ivory	JG	Aluminium 5	XD	Satin-finished Steel
EA	Black	JL	Aluminium PE 11	YA	Nickel-plated
EB	Glossy Black	JM	Aluminium RAL 9006	YB	Bright Nickel-plated
EC	Matt Black	KA	Chrome	YC	Matt Nickel-plated
EE	Anthracite	KB	Bright Chrome	YD	Satin-finished Nickel-plated
FU	Gunmetal	KC	Matt Chrome	ZA	Zinc alloy
GR	Raw	MA	Brown	ZN	Zinc-plated
HA	Brass-Plated	MB	Light Brown 1	ZQ	Bright Gold
HH	Tropicalized	NN	Metallic Beige	ZY	Titanium
HL	Raw Brass	NO	Beige	ZZ	Clear
IA	Grey	OA	Oak	00	Insignificant finish
IB	Metallic Grey	OZ	Ash		
IF	Middle Grey	PA	Light Ash		
IJ	Light Grey	PZ	Beech		
IL	Grey 20	QA	Maple		

LINK



PATENTED

The freshly-designed drop-down opening system conceived by Italiana Ferramenta.

Unhanded mechanism for cabinet sides, the only one on the market that guarantees both a soft opening and a smooth closing movement of the door.

Installation is carried out through very simple drilling operations that don't require neither mills nor grooves.

A complete range suits all the doors weights and dimensions.

Suitable for very shallow cabinets with a minimum depth of 200 mm.

Very simple installation, once the mechanism is fixed on the side, the metal wire end is pulled out and the small sphere inserted onto the narrow slot of the door bracket. The sphere catches onto the bayonet cavity and is permanently secured in position with the provided cover cap.

Open angle adjustment carried out by using a S3 allen wrench, for nearby doors alignment.

The zinc alloy nickel plated mechanism cover, as well as the door bracket, can be supplied painted on request.

All the parts are in steel, zinc alloy and engineering plastic.



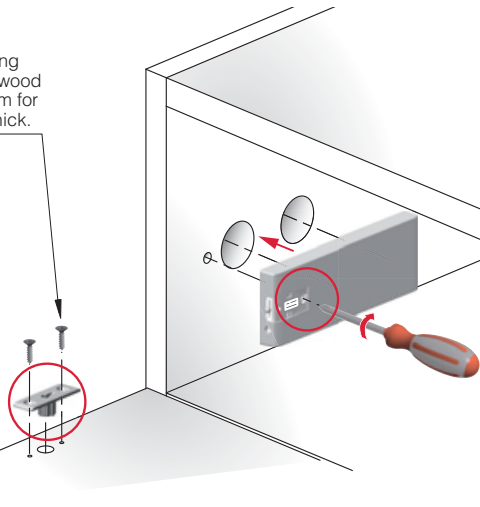


INSTALLATION

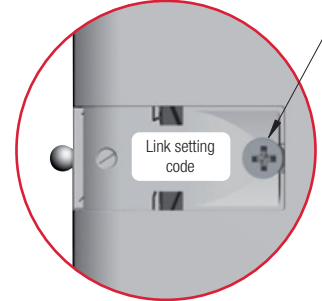


The door bracket has to be placed with the narrow part of the drop-shaped slot facing the cabinet.

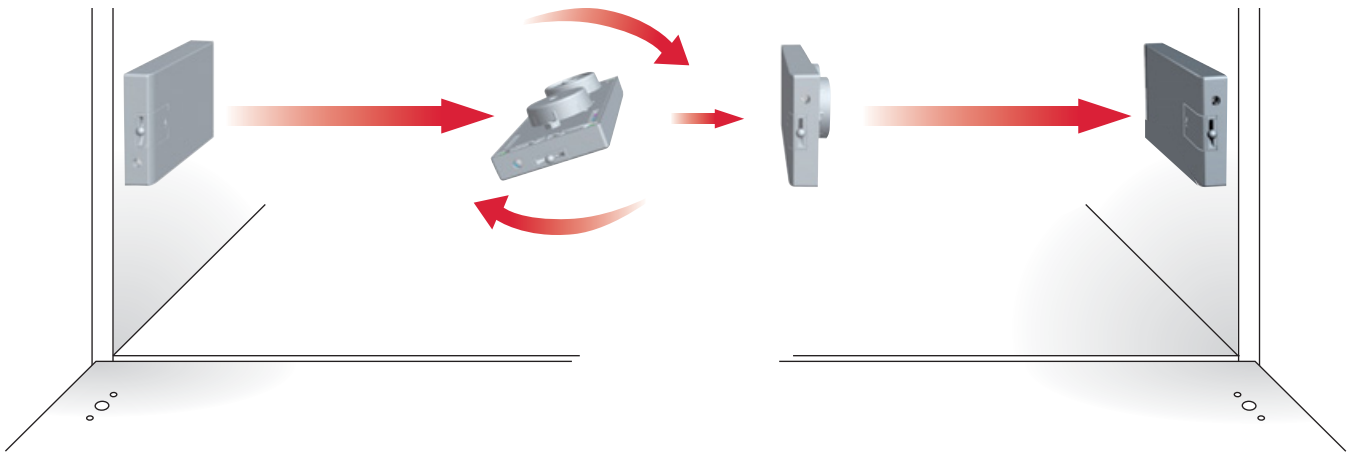
Recommended fixing countersunk head wood screws $\varnothing 4 \times 18$ mm for door 18 mm min. thick.



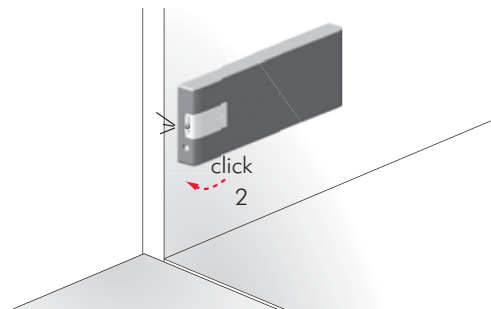
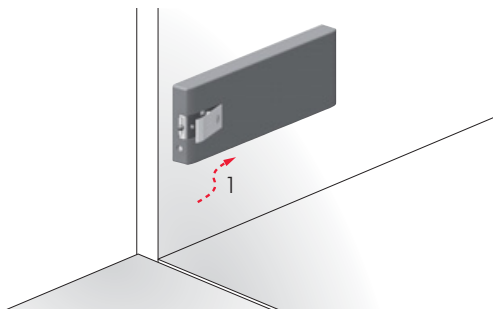
Pre-inserted screw $\varnothing 3,5 \times 16$ mm - PZ2.



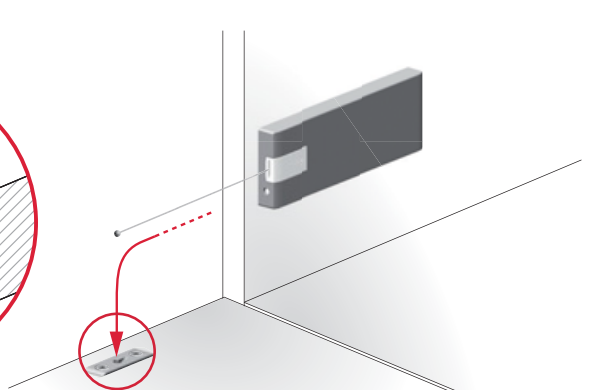
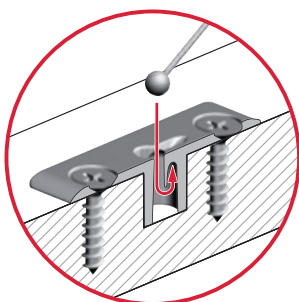
UNHANDED MECHANISM



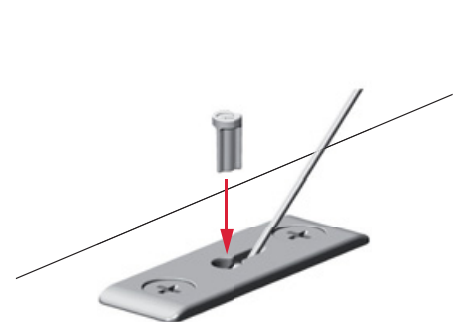
COVER CAP INSERTION



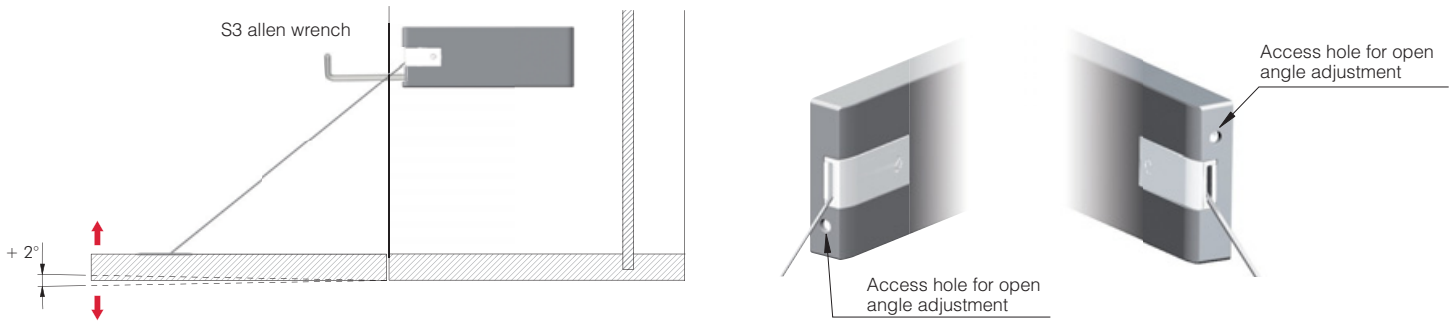
METAL WIRE INSERTION ONTO THE DOOR BRACKET



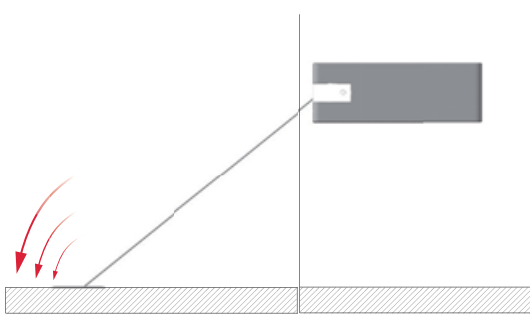
PLASTIC WIRE LOCKING



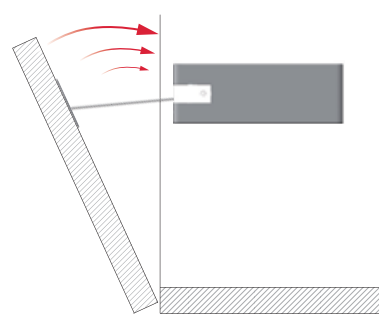
ADJUSTMENT



SOFT OPENING

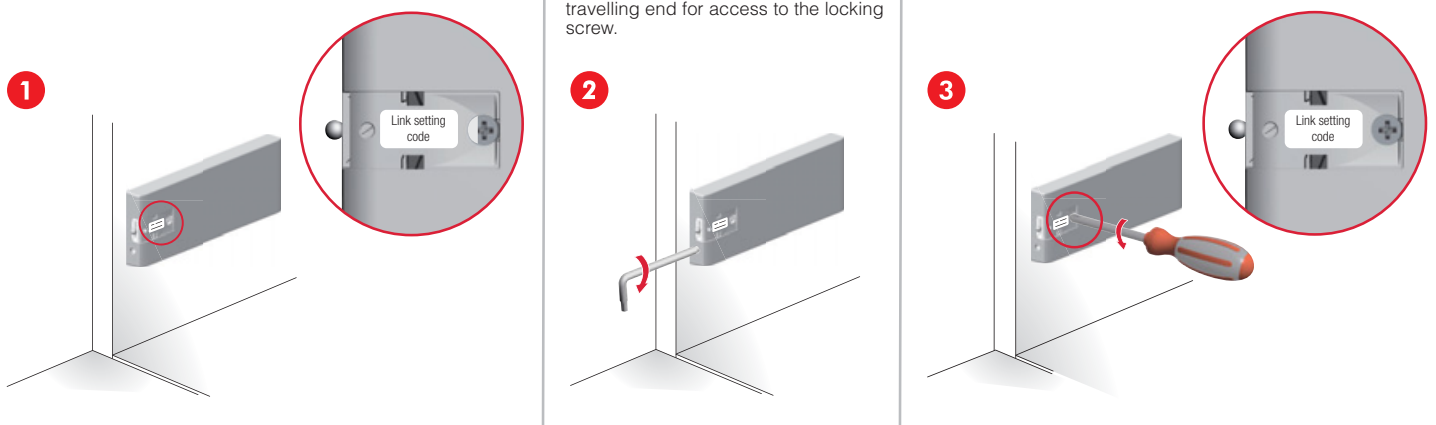


SMOOTH CLOSING

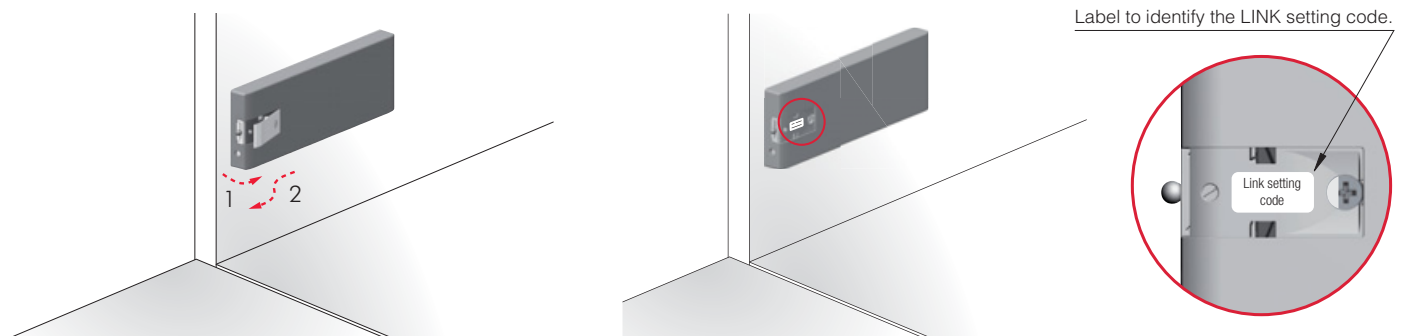


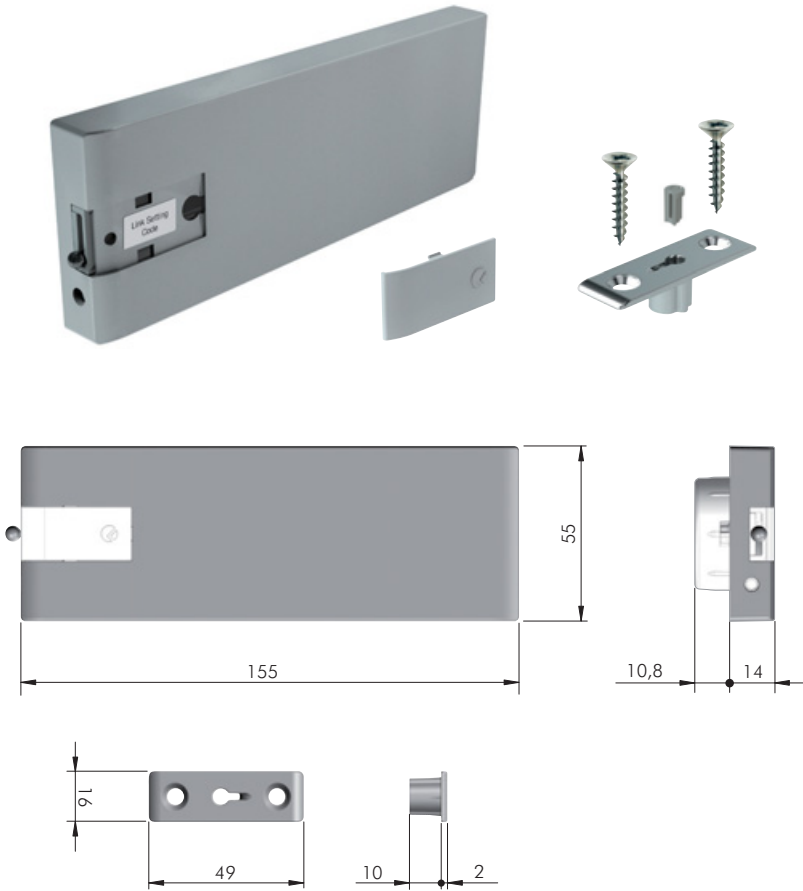
Soft opening and smooth closing are guaranteed only when opening and closing cycles are fully carried out.

LINK REMOVAL



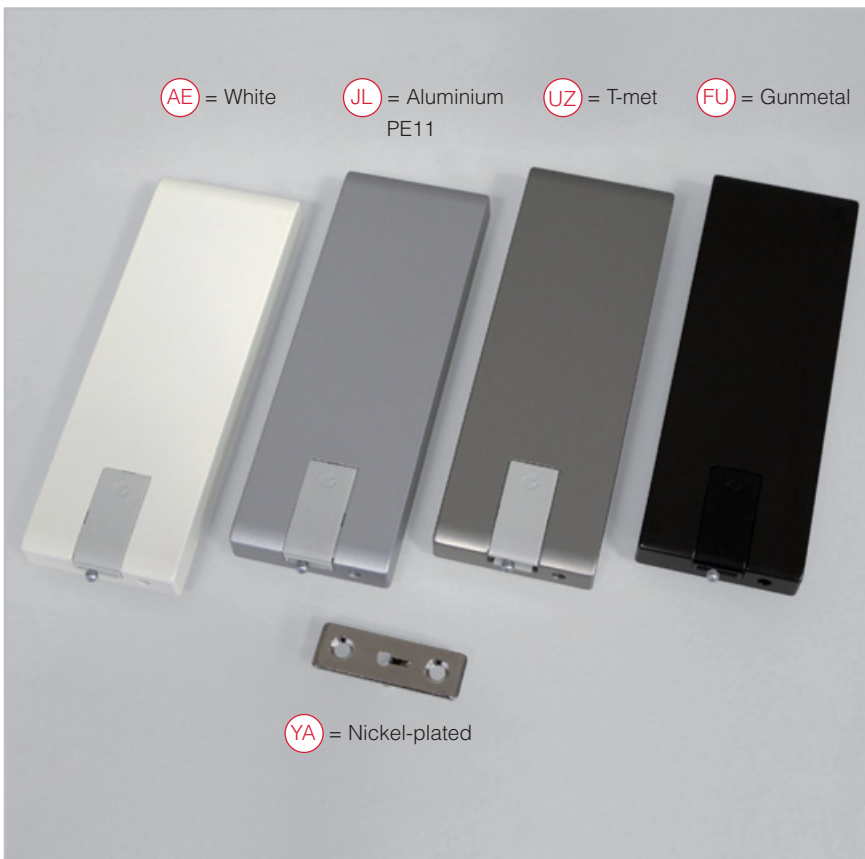
LINK SETTINGS IDENTIFICATION





+				
ZA	EP	ST	= 12 pcs.	
47005020UZ	AE	JL	FU	A262
47020020UZ	AE	JL	FU	N262
47030020UZ	AE	JL	FU	U262
47035020UZ	AE	JL	FU	AL280
47038020UZ	AE	JL	FU	AQ300
47040020UZ	AE	JL	FU	AQ335

NOTE: LINK is supplied in carton box including 1 piece, door bracket nickel-plated, countersunk fixing screws $\varnothing 4 \times 18$ mm nickel-plated, cover cap and fitting guide.



OPTIONAL DOOR BRACKETS



ZA ST = AE

Available on request



ZA ST = JL

Available on request



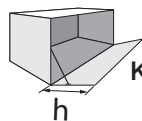
ZA ST = FU

Available on request



ZA ST = UZ

Available on request



Kg = Door weight including the possible handle.

Rev. 02

Kg	Link	h															
		250	275	300	325	350	375	400	425	450	480						
1,75	x2	-	-	-	-	-	-	-	-	-	-	A262	A262	A262	A262	A262	A262
	x1	A262	N262	N262	N262	N262	N262	U262	U262	-	-	-	-	-	-	-	-
2,00	x2	-	-	-	-	-	-	A262	A262	A262	A262	A262	A262	A262	N262	A262	N262
	x1	N262	N262	N262	N262	U262	U262	-	-	-	-	-	-	-	-	-	AL280
2,25	x2	-	-	-	-	A262	A262	A262	A262	A262	N262	A262	N262	A262	N262	A262	U262
	x1	N262	N262	U262	U262	-	-	-	-	-	-	-	-	-	-	-	AL280
2,50	x2	-	-	A262	A262	A262	A262	A262	A262	A262	N262	A262	N262	A262	N262	A262	U262
	x1	N262	U262	U262	-	-	-	-	-	-	-	-	-	-	-	AL280	AL280
2,75	x2	-	-	A262	A262	A262	U262	A262	N262	A262	N262	A262	U262	A262	U262	N262	U262
	x1	U262	U262	-	-	-	-	-	-	-	-	-	-	AL280	AL280	-	AQ300
3,00	x2	A262	A262	A262	A262	A262	N262	A262	N262	A262	U262	A262	U262	A262	U262	N262	U262
	x1	U262	-	-	-	-	-	AL280	AL280	AL280	AL280	AL280	AL280	AQ300	AQ300	AQ300	AQ300
3,25	x2	A262	A262	A262	N262	A262	N262	A262	U262	A262	U262	N262	U262	N262	U262	U262	U262
	x1	-	-	-	-	-	-	AL280	AL280	AL280	AL280	AQ300	AQ300	AQ300	AQ300	AQ300	AQ300
3,50	x2	A262	A262	A262	N262	A262	N262	A262	U262	N262	U262	N262	U262	U262	U262	N262	AL280
	x1	-	-	-	-	-	-	AL280	AL280	AQ300	AQ300	AQ300	AQ300	AQ300	AQ300	AQ300	AQ300
3,75	x2	A262	N262	A262	N262	A262	U262	A262	U262	N262	U262	U262	U262	U262	U262	N262	AL280
	x1	-	-	-	-	AL280	AL280	AQ300	AQ300	AQ300	AQ300	AQ300	AQ300	AQ300	AQ300	AQ300	AQ300
4,00	x2	A262	N262	A262	U262	A262	U262	N262	U262	U262	U262	U262	U262	N262	AL262	U262	AL280
	x1	-	-	-	-	AL280	AL280	AQ300	AQ300	AQ300	AQ300	AQ300	AQ300	AQ300	AQ300	AQ300	AQ300
4,25	x2	A262	N262	A262	U262	N262	U262	U262	U262	N262	AL280	U262	AL280	U262	AL280	U262	AL280
	x1	-	-	AL280	AL280	AQ300	AQ300	AQ300	AQ300	AQ300	AQ300	AQ300	AQ300	AQ300	AQ300	AQ300	AQ300
4,50	x2	A262	U262	A262	U262	N262	U262	U262	U262	N262	AL280	U262	AL280	U262	AL280	U262	AL280
	x1	AL280	AL280	AQ300	AQ300	AQ300	AQ300	AQ300	AQ300	AQ300	AQ300	AQ300	AQ300	AQ300	AQ300	AQ300	AQ300
4,75	x2	A262	U262	N262	U262	U262	U262	N262	AL280	U262	AL280	U262	AL280	U262	AL280	AL280	AL280
	x1	AL280	AQ300	AQ300	AQ300	AQ300	AQ300	AQ300	AQ300	AQ300	AQ300	AQ300	AQ300	AQ300	AQ300	AQ300	AQ300
5,00	x2	N262	U262	N262	U262	U262	U262	N262	AL280	U262	AL280	U262	AL280	AL280	AL280	AL280	AL280
	x1	AL280	AQ300	AQ300	AQ300	AQ300	AQ300	AQ300	AQ300	AQ300	AQ300	AQ300	AQ300	AQ300	AQ300	AQ300	AQ300
5,25	x2	N262	U262	U262	U262	U262	U262	N262	AL280	U262	AL280	AL262	AL280	AL280	AL280	AL280	AL280
	x1	AL280	AQ300	AQ300	AQ300	AQ300	AQ300	AQ300	AQ300	AQ300	AQ300	AQ300	AQ300	AQ300	AQ300	AQ300	AQ300
5,50	x2	N262	U262	U262	U262	N262	AL280	U262	AL280	AL280	AL280	AL280	AL280	AL280	AL280	AL280	AQ300
	x1	AL280	AQ300	AQ300	AQ300	AQ300	AQ300	AQ300	AQ300	AQ300	AQ300	AQ300	AQ300	AQ300	AQ300	AQ300	AQ300
5,75	x2	U262	U262	U262	U262	N262	AL280	U262	AL280	AL280	AL280	AL280	AL280	AL280	AQ300	AL280	AQ300
	x1	AQ300	AQ300	AQ300	AQ300	AQ300	AQ300	AQ300	AQ300	AQ300	AQ300	AQ300	AQ300	AQ300	AQ300	AQ300	AQ300
6,00	x2	U262	U262	N262	AL280	U262	AL280	U262	AL280	AL280	AL280	AL280	AL280	AL280	AQ300	AL280	AQ300
	x1	AQ300	AQ300	AQ300	AQ300	AQ300	AQ300	AQ300	AQ300	AQ300	AQ300	AQ300	AQ300	AQ300	AQ300	AQ300	AQ300
6,25	x2	U262	U262	N262	AL280	U262	AL280	U262	AL280	AL280	AL280	AL280	AL280	AL280	AQ300	AQ300	AQ300
	x1	AQ300	AQ300	AQ300	AQ300	AQ300	AQ300	AQ300	AQ300	AQ300	AQ300	AQ300	AQ300	AQ300	AQ300	AQ300	AQ300
6,50	x2	N262	AL280	U262	AL280	U262	AL280	AL280	AL280	AL280	AL280	AL280	AL280	AL280	AQ300	AQ300	AQ300
	x1	AQ300	AQ300	AQ300	AQ300	AQ300	AQ300	AQ300	AQ300	AQ300	AQ300	AQ300	AQ300	AQ300	AQ300	AQ300	AQ300
6,75	x2	N262	AL280	U262	AL280	U262	AL280	AL280	AL280	AL280	AL280	AL280	AL280	AL280	AQ300	AQ300	AQ300
	x1	AQ300	AQ300	AQ300	AQ300	AQ300	AQ300	AQ300	AQ300	AQ300	AQ300	AQ300	AQ300	AQ300	AQ300	AQ300	AQ300
7,00	x2	U262	AL280	U262	AL280	AL280	AL280	AL280	AL280	AL280	AQ300	AL280	AQ300	AQ300	AQ300	AQ300	AQ300
	x1	AQ300	AQ300	AQ300	AQ300	AQ300	AQ300	AQ300	AQ300	AQ300	AQ300	AQ300	AQ300	AQ300	AQ300	AQ300	AQ300
7,50	x2	U262	AL280	AL280	AL280	AL280	AL280	AL280	AL280	AL280	AQ300	AQ300	AQ300	AQ300	AQ300	AQ300	AQ300
	x1	AQ300	AQ300	AQ300	AQ300	AQ300	AQ300	AQ300	AQ300	AQ300	AQ300	AQ300	AQ300	AQ300	AQ300	AQ300	AQ300
8,00	x2	U262	AL280	AL280	AL280	AL280	AL280	AL280	AQ300	AQ300	AQ300	AQ300	AQ300	AQ300	AQ300	AQ300	AQ300
	x1	AQ300	AQ300	AQ300	AQ300	AQ300	AQ300	AQ300	AQ300	AQ300	AQ300	AQ300	AQ300	AQ300	AQ300	AQ300	AQ300
8,25	x2	AL280	AL280	AL280	AL280	AL280	AQ300	AL280	AQ300	AQ300	AQ300	AQ300	AQ300	AQ300	AQ300	AQ300	AQ300
	x1	AQ300	AQ300	AQ300	AQ300	AQ300	AQ300	AQ300	AQ300	AQ300	AQ300	AQ300	AQ300	AQ300	AQ300	AQ300	AQ300
8,50	x2	AL280	AL280	AL280	AL280	AL280	AQ300	AQ300	AQ300	AQ300	AQ300	AQ300	AQ300	AQ300	AQ300	AQ300	AQ300
	x1	AQ300	AQ300	AQ300	AQ300	AQ300	AQ300	AQ300	AQ300	AQ300	AQ300	AQ300	AQ300	AQ300	AQ300	AQ300	AQ300
8,75	x2	AL280	AL280	AL280	AL280	AL280	AQ300	AQ300	AQ300	AQ300	AQ300	AQ300	AQ300	AQ300	AQ300	AQ300	AQ300
	x1	AQ300	AQ300	AQ300	AQ300	AQ300	AQ300	AQ300	AQ300	AQ300	AQ300	AQ300	AQ300	AQ300	AQ300	AQ300	AQ300
9,00	x2	AL280	AL280	AL280	AQ300	AL280	AQ300	AQ300	AQ300	AQ300	AQ300	AQ300	AQ300	AQ300	AQ300	AQ300	AQ300
	x1	AQ300	AQ300	AQ300	AQ300	AQ300	AQ300	AQ300	AQ300	AQ300	AQ300	AQ300	AQ300	AQ300	AQ300	AQ300	AQ300

CODE SETTINGS: A262, N262, U262, AL280 *

CODE SETTINGS: AL280, AQ300, AQ335

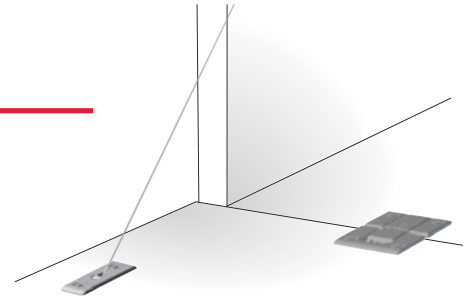
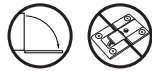
* Range of settings considering only the application with 2 mechanisms Link.

These are experimental results to be checked by the customer.

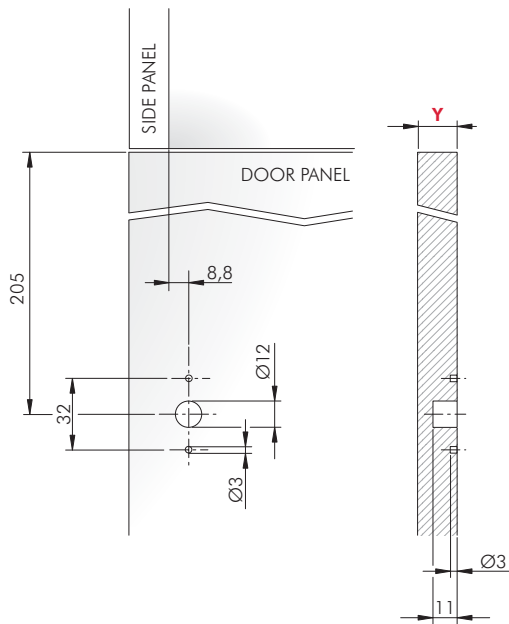
In accordance with the actual laws, we suggest to use 2 LINK mechanisms for each door. In case the door weight/dimensions are bigger than those reported on the charts, 3 or more LINK mechanisms might be used. Please contact the authorized dealer.



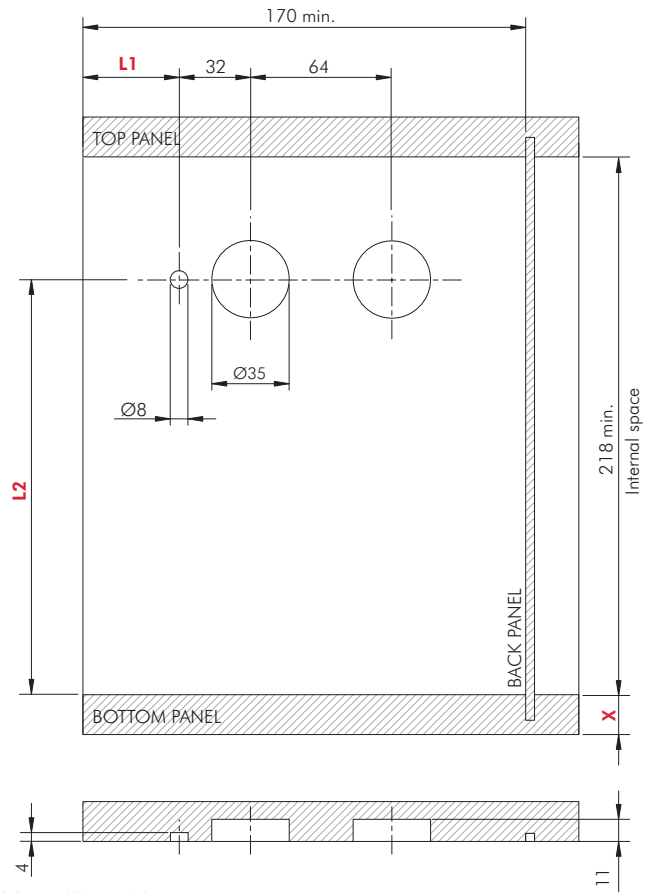
LINK WITH KIMANA HINGE



DOOR PANEL DRILLING PLAN

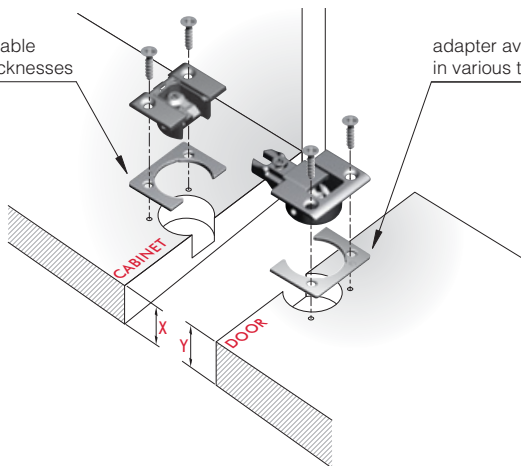


SIDE PANEL DRILLING PLAN



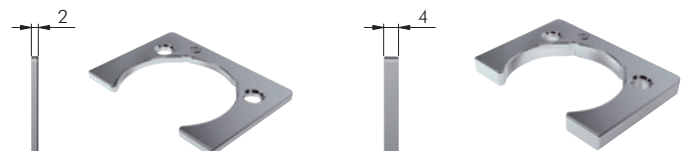
The dimensions of the above drilling plan refer to carcasses which use Kimana hinges.

adapter available
in various thicknesses



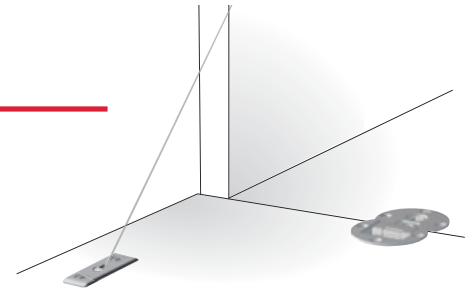
adapter available
in various thicknesses

X +	Y +	L1	L2
16 + 4	16 + 2	43	190
16 + 4	19	44	190
18 + 2	18	44	189
18 + 2	19	44	189
19	16 + 2	42	187
19	19	43	187
20	20	43	187

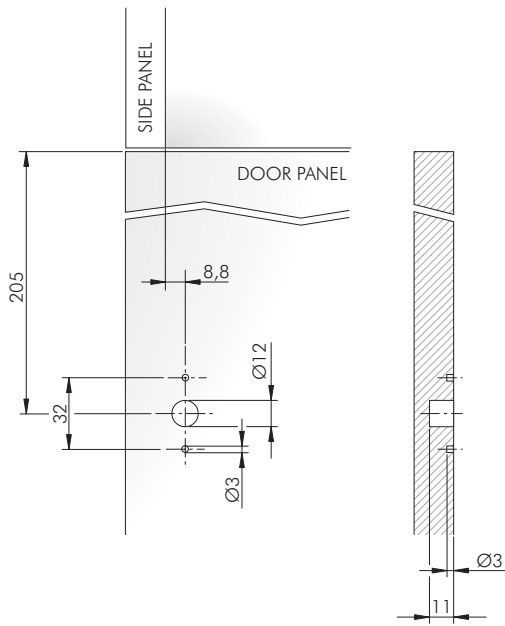


For Kimana and adapter details refer to section "HINGES".

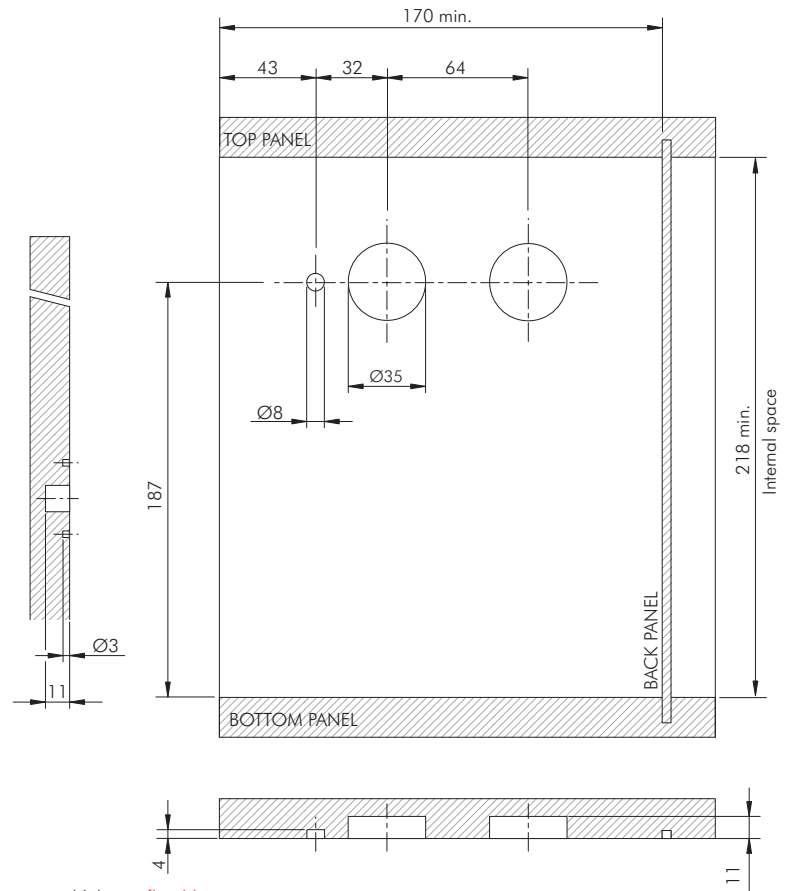
LINK WITH FLAP HINGES



DOOR PANEL DRILLING PLAN

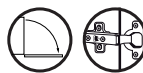


SIDE PANEL DRILLING PLAN

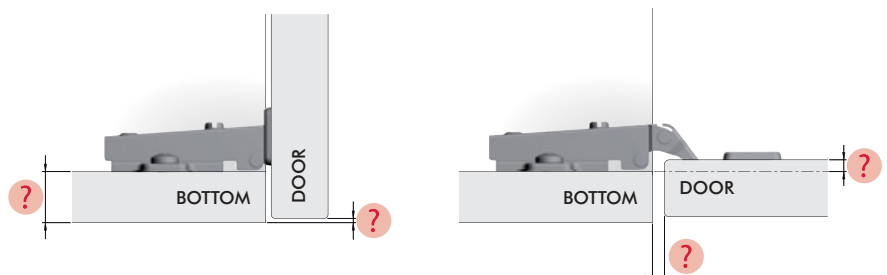
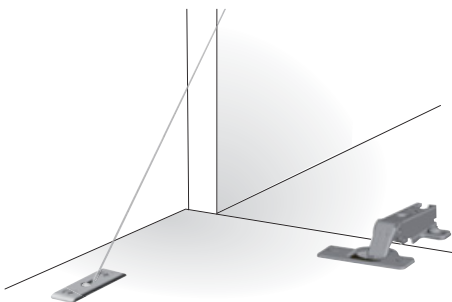


The dimensions of the drilling plan refer to carcasses which use flap hinges.

LINK WITH STANDARD UNSPRUNG HINGES



In case other hinges than KIMANA are used, it is necessary to contact an authorized dealer for a correct drilling scheme. For this purpose, use the form at the end of the LINK section to provide the required specifications.





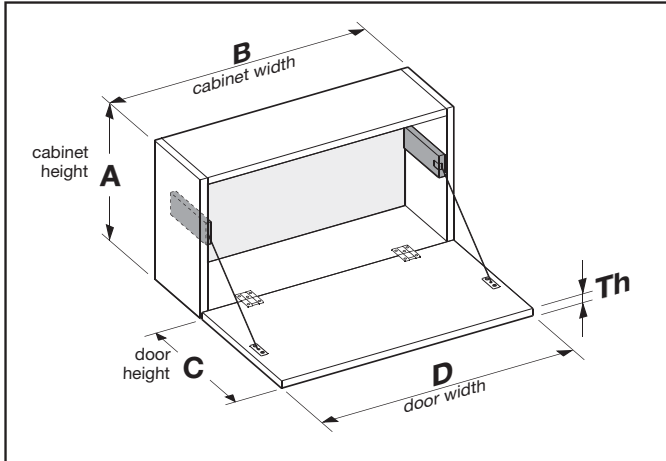
Please photocopy, fill in and send back to your authorized reseller

DATE 06/10/2014



CUSTOMER: Company name

REFERENCE: Mr. John Smith



IMPORTANT NOTES

TO IDENTIFY THE APPROPRIATED MECHANISM "LINK" IT IS NECESSARY FOR US TO GATHER THE FOLLOWING INFORMATIONS:

- DOOR DIMENSIONS
- DOOR WEIGHT WITH HANDLE(*)
- TYPE OF HINGES

(*) If you don't have the actual weight of the door, it is possible to estimate the weight by considering the density of the material.

Common materials:

- CHIPBOARD door 650 Kg/m³ (average value).
- MDF door 780 Kg/m³ (average value).

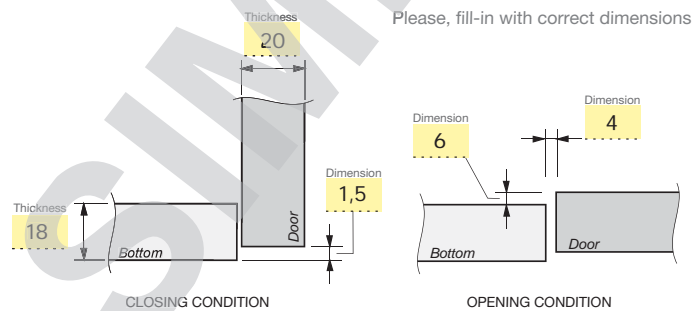
KIND OF HINGES

KIMANA hinges
(Recommended)

FLAP hinges

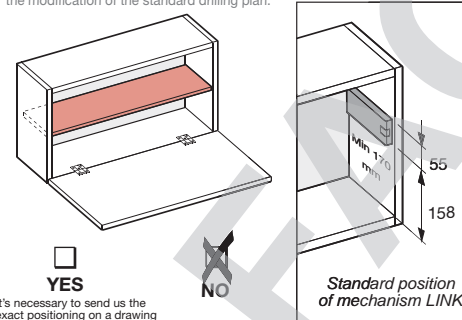
STANDARD UNSPRUNG hinges
Brand, model, mounting plate
Please specify producer, article code, mounting plate

Other hinges
Please specify producer, article code, mounting plate



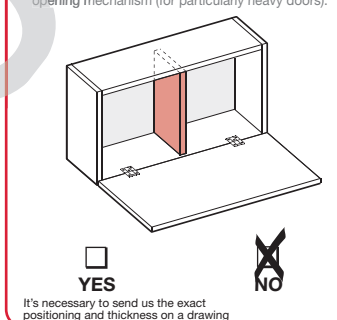
INNER SHELVES

The positioning of inner shelves (either fixed or removable) can lead to the modification of the standard drilling plan.



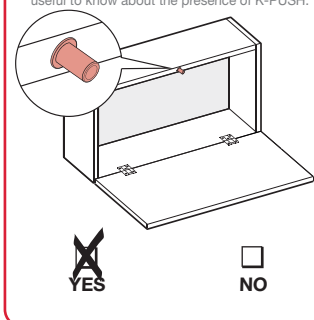
PARTITIONS

Inner partitions can be used to add another opening mechanism (for particularly heavy doors).



K PUSH

In order to determine the right LINK settings, it's useful to know about the presence of K-PUSH.



ID	Description	Cabinet		Door specifications					
		A Height mm	B Width mm	C Height mm	D Width mm	Th mm	Weight Kg	Actual	Estimated
1	Wall cabinet	360	1000	357	997	20	5,2	X	
2									
3									
4									
5									

LINK FINISHES			
GREY PE11	WHITE RAL 9010	T - MET	GUNMETAL
X			

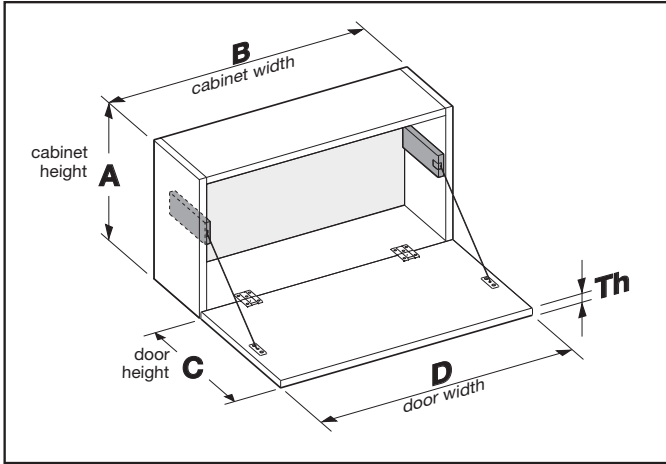
Please photocopy, fill in and send back to your authorized reseller

DATE



CUSTOMER:

REFERENCE:



IMPORTANT NOTES

TO IDENTIFY THE APPROPRIATED MECHANISM "LINK" IT IS NECESSARY FOR US TO GATHER THE FOLLOWING INFORMATIONS:

- DOOR DIMENSIONS
- DOOR WEIGHT WITH HANDLE(*)
- TYPE OF HINGES

(*) If you don't have the actual weight of the door, it is possible to estimate the weight by considering the density of the material.

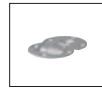
Common materials:

- CHIPBOARD door 650 Kg/m³ (average value).
- MDF door 780 Kg/m³ (average value).

KIND OF HINGES



KIMANA hinges
(Recommended)



FLAP hinges

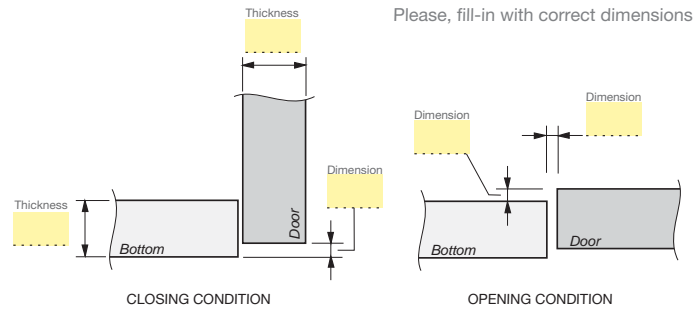


STANDARD UNSPRUNG hinges

Please specify producer, article code, mounting plate

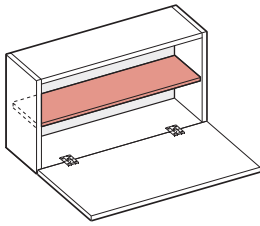
Other hinges

Please specify producer, article code, mounting plate



INNER SHELVES

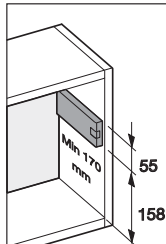
The positioning of inner shelves (either fixed or removable) can lead to the modification of the standard drilling plan.



YES

NO

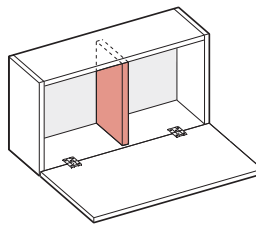
It's necessary to send us the exact positioning on a drawing



Standard position of mechanism LINK

PARTITIONS

Inner partitions can be used to add another opening mechanism (for particularly heavy doors).



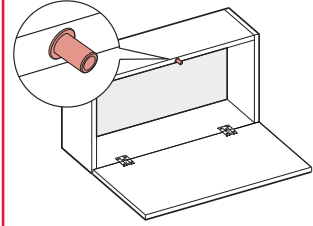
YES

NO

It's necessary to send us the exact positioning and thickness on a drawing

K PUSH

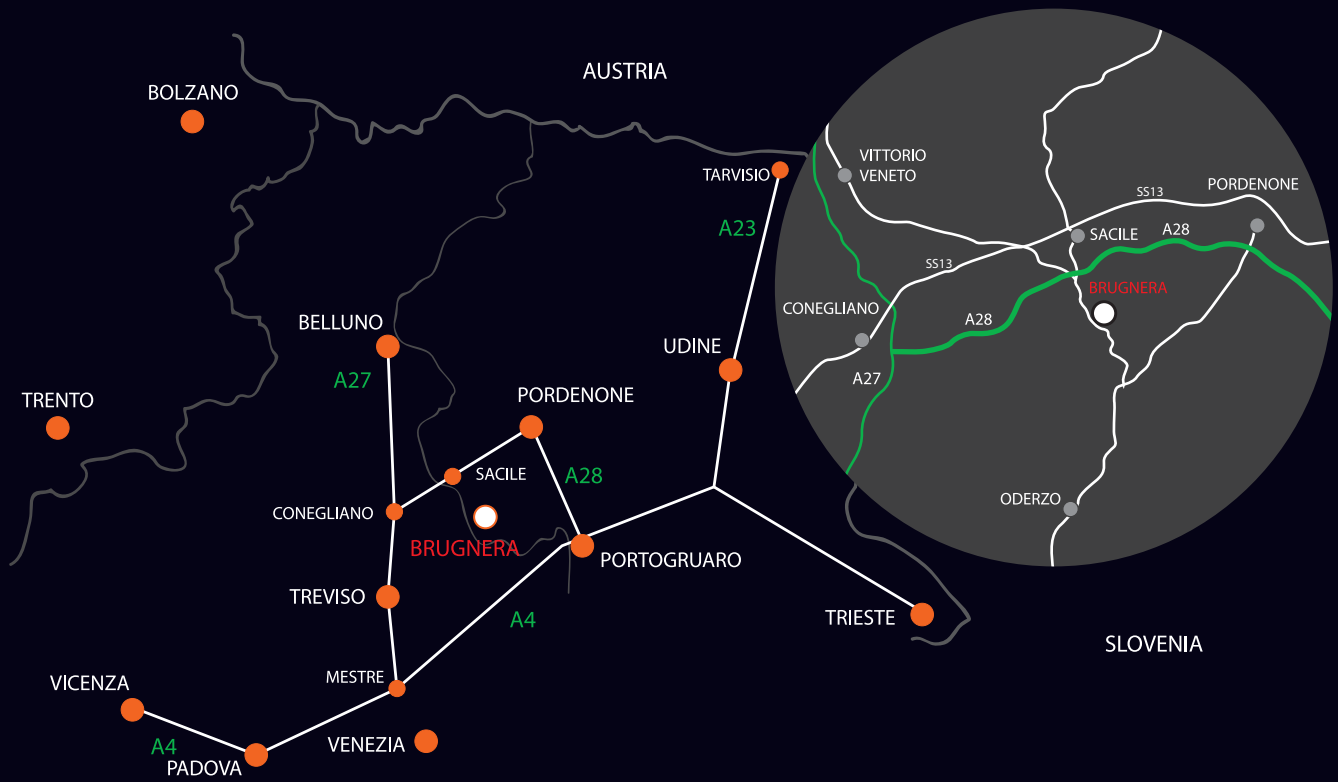
In order to determine the right LINK settings, it's useful to know about the presence of K-PUSH.



YES

NO

ID	Description	Cabinet		Door specifications					LINK FINISHES				
		A Height mm	B Width mm	C Height mm	D Width mm	Th mm	Weight Kg	Actual	Estimated	GREY PE11	WHITE RAL 9010	T-MET	GUNMETAL
1													
2													
3													
4													
5													



www.italianaferramenta.com