

Invisacta

The **wide** range of **concealed** hinges





Company

OTLAV S.p.A produces and sells hinges for doors and windows and other accessories for frames. Founded in 1956 by entrepreneur Angelo Padovan, is the **world leader in terms of turnover and sold hinges: over 2 billion since 1960.**

Thanks to almost 100 filed patents, Otlav ensures high quality standards and is present with its wide range of products in over 70 countries worldwide.

OTLAV new factory was inaugurated in 2007, in Via Angelo Padovan 2 in Santa Lucia di Piave (TV), in an area of 45,000 square meters, 19,500 of which are covered.

Following the opening of the first office in March 1956, OTLAV has nowadays found its perfect location to face the challenges of the new millennium. "OAMH" - "Otlav Automatic Material Handling" - is a project developed after five years of research and studies all around the world; a technological jewel created by designing at first the best logistical location, and then a subsequent lay out, and eventually the container to cover these structures: an unmistakable technological masterpiece, which is 10 meters high.

Rationalization of space, optimization of logistics and integrated use of automation: all of these account for respectively the flow or transportation of materials and the streaming of information. The goal is to cut costs by making the produced hinges increasingly competitive with an unparalleled level of quality.

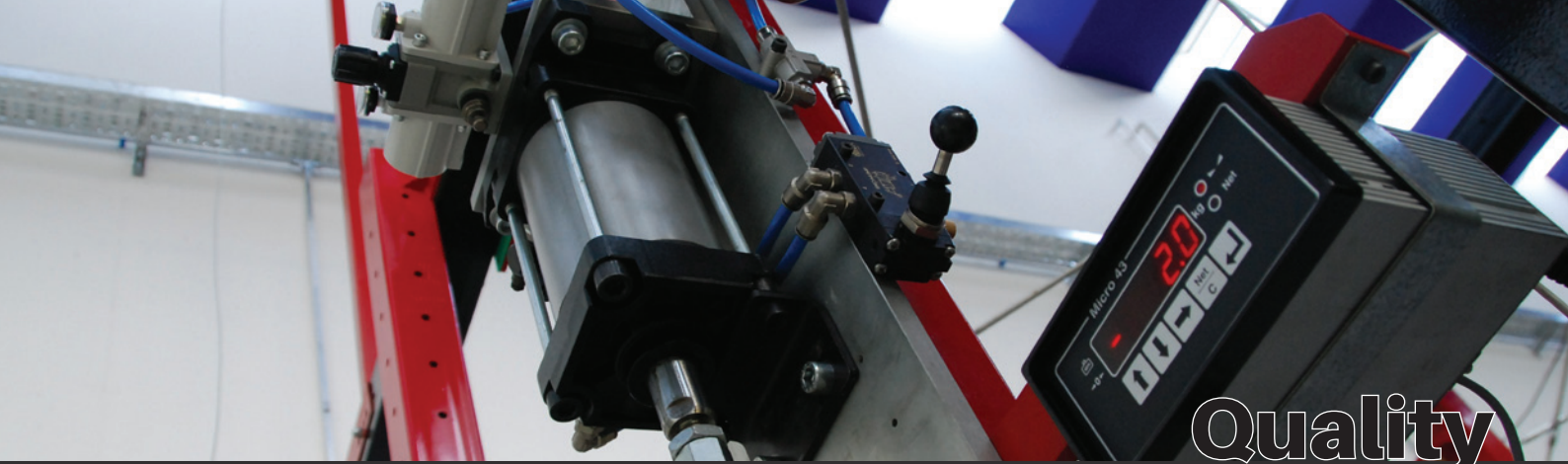
OTLAV group companies



Otlav creates Myrtus in Maniago (PN), Friuli. The company is specialized in galvanic treatments.



Samarcu was built after European criteria to manage the high exigencies of the productivity and quality of OTLAV, specialized in electrolytic galvanization with swivel-drums, in powder coating and assembly operations plus packaging.



As required by European regulations and by Regulation (EU) No. 305/2011 all OTLAV hinges are subjected to stringent resistance tests to check performance both during the design phase and regularly during manufacturing.
The I.U.S. (Intensive Use Simulator) is the testing system used in the OTLAV Test Laboratories.

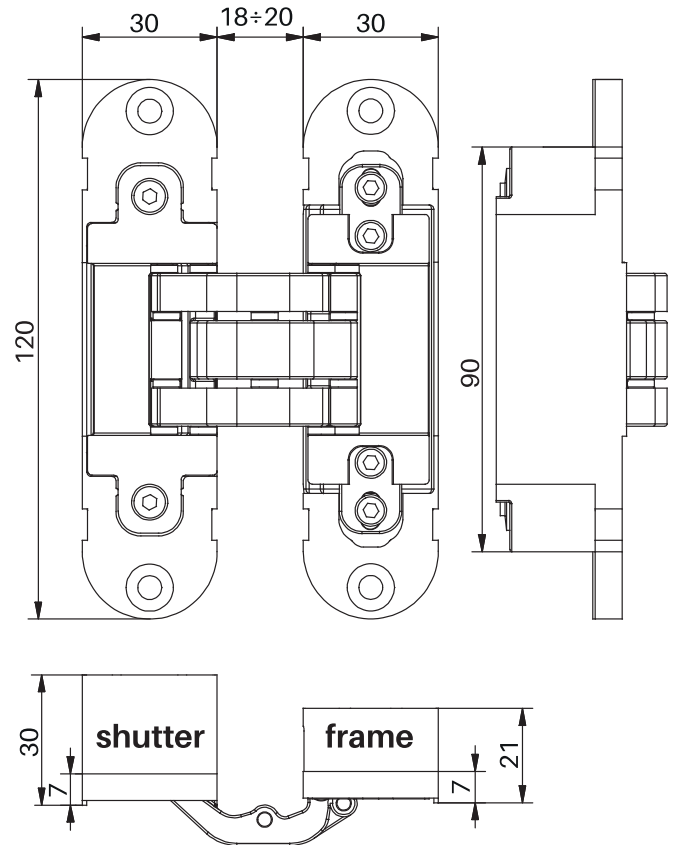
EC Certificates and Performance Declarations

Tests on the hinges are also carried out at external bodies able to certify that the company manufactures according to rigid, systematically monitored production plans and that the products pass the tests envisaged by the standard UNI EN 1935/2004: they are thereby able to issue, if needed, the EC certificate or certify the data provided by OTLAV in the "performance declarations".




View of the OTLAV test laboratories I.U.S. - (Intensive Use Simulator)

IN300120 - 3D hinge for 60 kg. doors



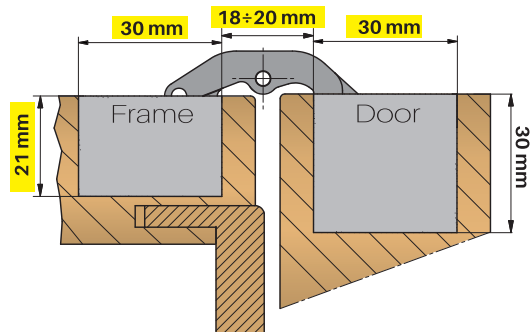
Technical data

Capacity*	60 Kg.
Hinge height	120 mm
width shutter side	30 mm
width frame side	30 mm
Depth shutter side	30 mm
Depth frame side	21 mm
Door opening angle	180°

Side adjustment	+ 1 mm
Height adjustment	± 2 mm
Depth adjustment	± 1 mm
FIREPROOF certified 	30'

* Tested with 90x210cm doors - For more information on the number of hinges to be used according to the weight and dimension of the door, please see the loading charts available on the website www.otlav.it.

Technical features



- A **21 mm depth slot** on the frame side makes it unique and enables its perfect integration in reduced spaces. No need to cut the architrave which can be flush mounted.
- The hinge is suitable to be installed on doors and frames in wood and aluminium.
- Material of hinge: ZAMAK.
- The hinge is reversible, if mounted in the center of the door thickness, allow the **reversibility of the door**, thus enabling the optimization of the stock and logistics at installation.
- Movement on **7 junction fulcrums** equipped with bearing in plastic HT with high resistance and long life.
- Equipped with **3-way adjustments** that can be settled by means of just one 3 mm hex-spanner. Once installed, the door has natural sinking, Invisacta hinge allows to set the door back to the start position.
- **The hinge can be fitted with door closing devices.**
- Outer casings protect the inner junction fulcrums against rubble coming from door installation works.
- The clamping screws, placed in the outer casings, are not used for hinge adjustment, therefore they remain stable for a long time.
- Patented EP-B- 2719851.
- **Aluminum caps** available to conceal the screws.

Finishing



IN300120V702
Satinized silver plated



IN300120H004
Zinc plated



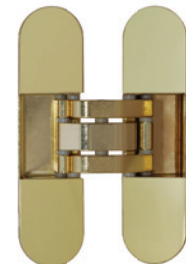
IN300120VN02
Satinized Nickel Plated



IN300120BO02
Bronze plated

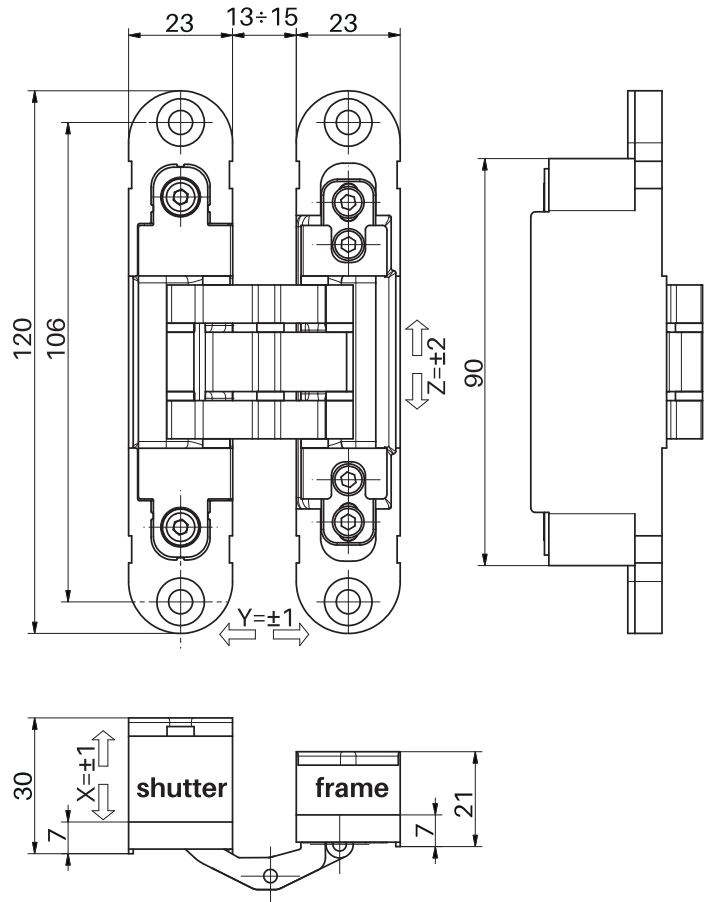


IN3001209P02
White matt RAL9016



IN300120802
Polished gold

IN230120 - 3D hinge for 60 kg. doors



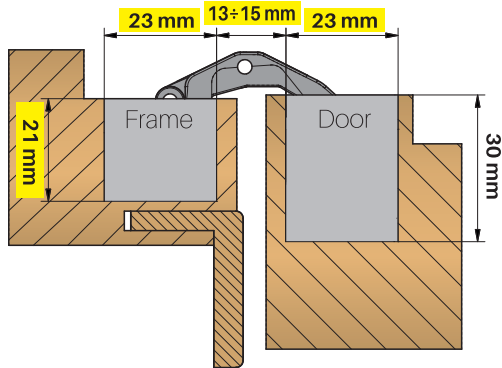
Technical data

Capacity*	60 Kg.
Hinge height	120 mm
width shutter side	23 mm
width frame side	23 mm
Depth shutter side	30 mm
Depth frame side	21 mm
Door opening angle	180°

Side adjustment	+ 1 mm
Height adjustment	± 2 mm
Depth adjustment	± 1 mm
FIREPROOF certified 	30'

* Tested with 90x210cm doors - For more information on the number of hinges to be used according to the weight and dimension of the door, please see the loading charts available on the website www.otlav.it.

Technical features



- A **21 mm depth slot** on the frame side makes it unique and enables its perfect integration in reduced spaces. No need to cut the architrave which can be flush mounted.
- The hinge is suitable to be installed on doors and frames in wood and aluminium.
- Material of hinge: ZAMAK.
- The hinge is reversible.
- Movement on **7 junction fulcrums** equipped with bearing in plastic HT with high resistance and long life.
- Equipped with **3-way adjustments** that can be settled by means of just one 3 mm hex-spanner. Once installed, the door has natural sinking, Invisacta hinge allows to set the door back to the start position.
- Outer casings protect the inner junction fulcrums against rubble coming from door installation works.
- The clamping screws, placed in the outer casings, are not used for hinge adjustment, therefore they remain stable for a long time.
- **Aluminum caps** available to conceal the screws.

Finishing



IN230120V702
Satinized silver plated



IN230120H004
Zinc plated



IN230120VN02
Satinized Nickel Plated



IN230120BO02
Bronze plated

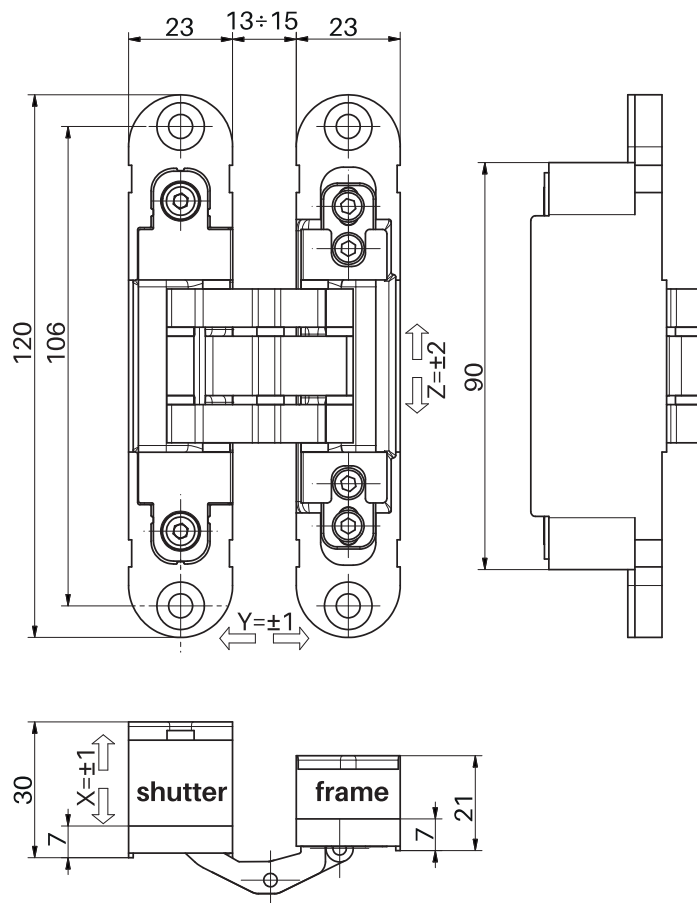
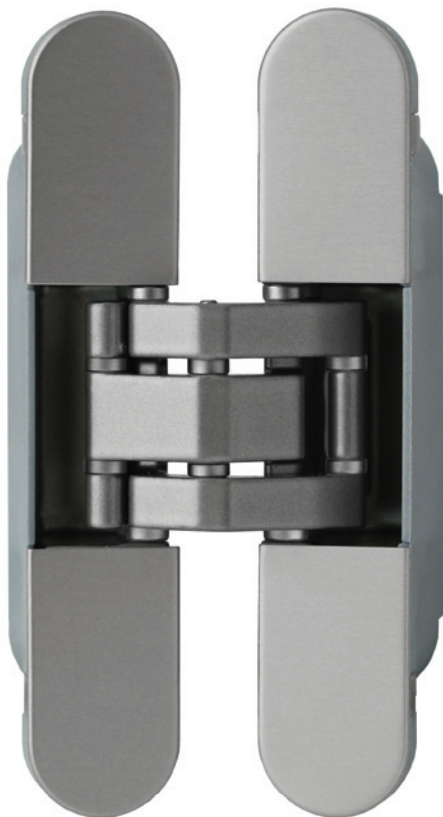


IN2301209P02
White matt RAL9016



IN230120802
Polished gold

IN230120 - 3D hinge for 40 kg. doors



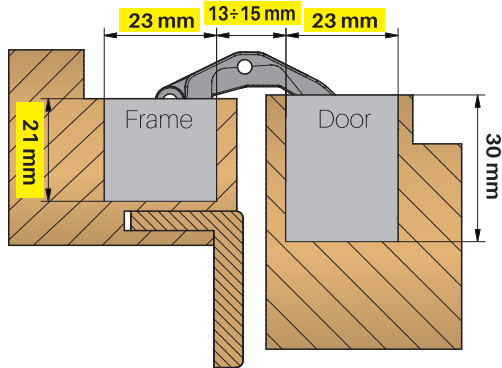
Technical data

Capacity*	40 Kg.
Hinge height	120 mm
width shutter side	23 mm
width frame side	23 mm
Depth shutter side	30 mm
Depth frame side	21 mm
Door opening angle	180°

Side adjustment	+ 1 mm
Height adjustment	± 2 mm
Depth adjustment	± 1 mm

* Tested with 90x210cm doors - For more information on the number of hinges to be used according to the weight and dimension of the door, please see the loading charts available on the website www.otlav.it.

Technical features



- A **21 mm depth slot** on the frame side makes it unique and enables its perfect integration in reduced spaces. No need to cut the architrave which can be flush mounted.
- The hinge is suitable to be installed on doors and frames in wood and aluminium.
- Material of hinge: ZAMAK.
- Material of casing: thermoplastic polymer.
- The hinge is reversible.
- Movement on **7 junction fulcrums** equipped with bearing in plastic HT with high resistance and long life.
- Equipped with **3-way adjustments** that can be settled by means of just one 3 mm hex-spanner. Once installed, the door has natural sinking, Invisacta hinge allows to set the door back to the start position.
- Outer casings protect the inner junction fulcrums against rubble coming from door installation works.
- The clamping screws, placed in the outer casings, are not used for hinge adjustment, therefore they remain stable for a long time.
- **Aluminum caps** available to conceal the screws.

Finishing



IN230120V704
Satinized silver plated



IN230120H006
Zinc plated



IN230120VN04
Satinized Nickel Plated

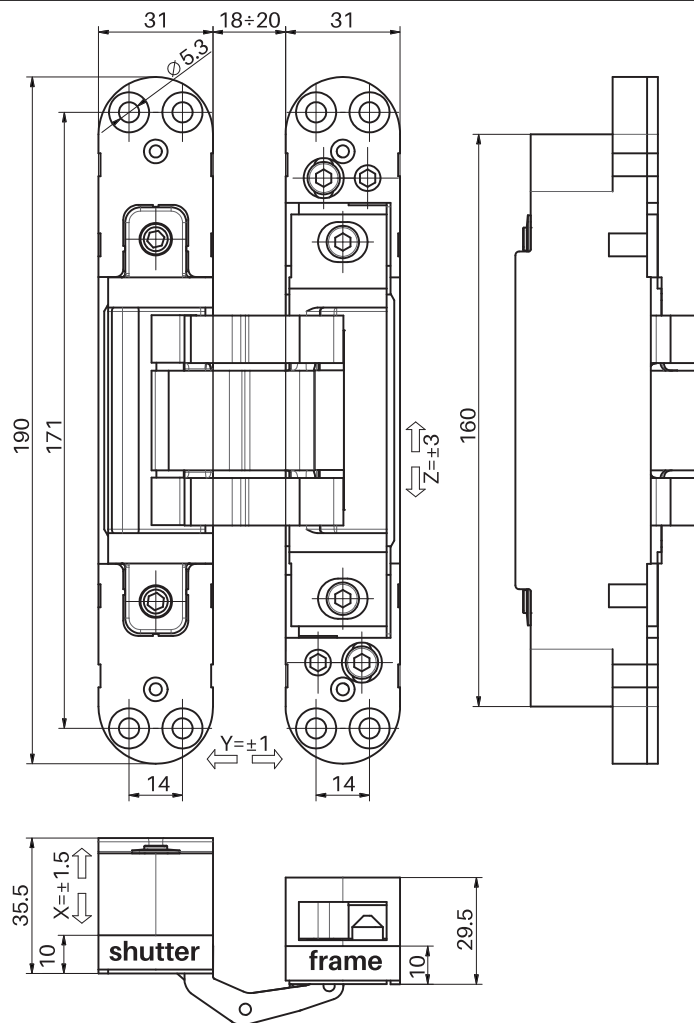
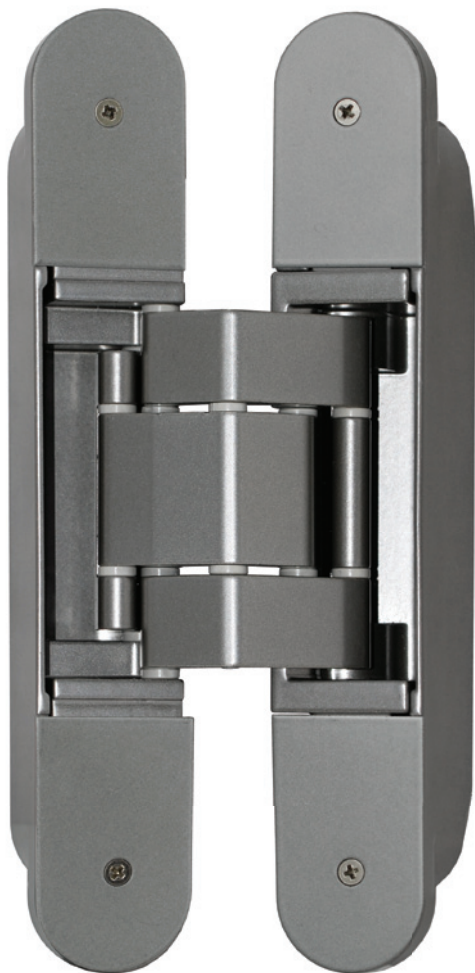


IN230120B004
Bronze plated



IN2301209P04
White matt RAL9016

IN310190 - 3D hinge for 120 kg. doors



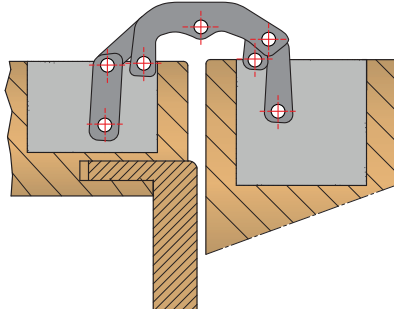
Technical data

Capacity*	120 Kg.
Hinge height	190 mm
width shutter side	31 mm
width frame side	31 mm
Depth shutter side	35,5 mm
Depth frame side	29,5 mm

Door opening angle	180°
Side adjustment	+ 1,5 mm
Height adjustment	± 3 mm
Depth adjustment	± 1 mm

* Tested with 90x210cm doors - For more information on the number of hinges to be used according to the weight and dimension of the door, please see the loading charts available on the website www.otlav.it.

Technical features



- Movement on **7 junction fulcrums** equipped with bearing in plastic HT with high resistance and long life.
- The hinge is suitable to be installed on doors and frames in wood and aluminium.
- Material of hinge: zamak.
- Material of casing: zamak.
- Material of mechanism: aluminum.
- The hinge is reversible.
- Equipped with **3-way adjustments** that can be settled by means of just one 4 mm hex-spanner. Once installed, the door has natural sinking, Invisacta hinge allows to set the door back to the start position.
- Outer casings protect the inner junction fulcrums against rubble coming from door installation works.
- The clamping screws, placed in the outer casings, are not used for hinge adjustment, therefore they remain stable for a long time.
- **Steel caps** available to conceal the screws.

Finishing

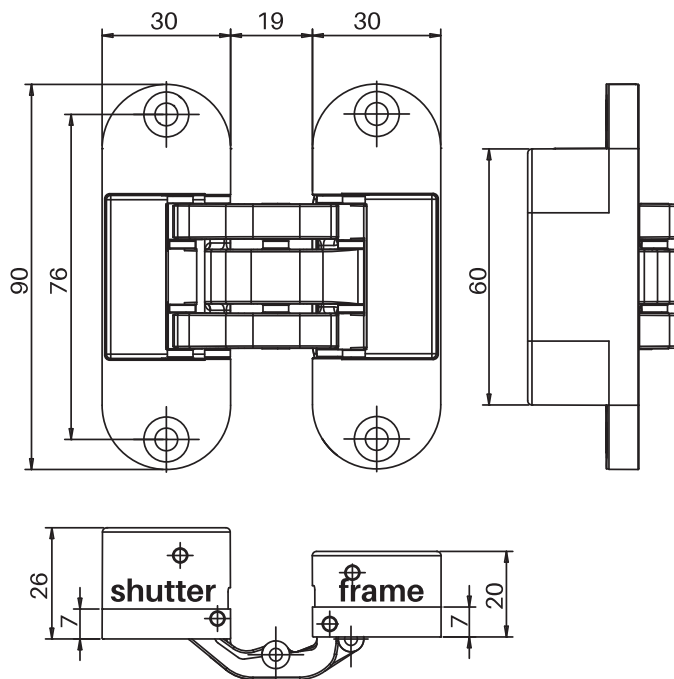


IN310190V703
Satinized silver plated



IN310190VN03
Satinized Nickel Plated

IN301090 - hinge for 40 kg. doors

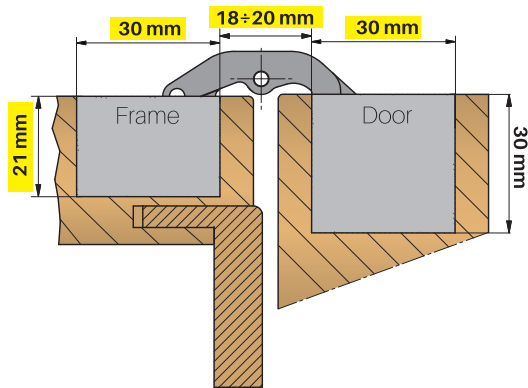


Technical data

Capacity*	40 Kg.
Hinge height	90 mm
width shutter side	30 mm
width frame side	30 mm
Depth shutter side	30 mm
Depth frame side	21 mm
Door opening angle	180°

* Tested with 90x210cm doors - For more information on the number of hinges to be used according to the weight and dimension of the door, please see the loading charts available on the website www.otlav.it.

Technical features

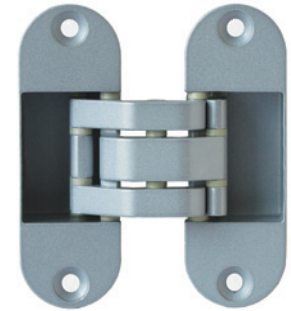


- A **21 mm depth slot** on the frame side makes it unique and enables its perfect integration in reduced spaces. No need to cut the architrave which can be flush mounted.
- The hinge is suitable to be installed on doors and frames in wood and aluminium.
- Material of hinge: ZAMAK.
- The hinge is reversible, if mounted in the center of the door thickness, allow the **reversibility of the door**, thus enabling the optimization of the stock and logistics at installation.
- Movement on **7 junction fulcrums** equipped with bearing in plastic HT with high resistance and long life.
- **The hinge can be fitted with door closing devices.**
- Outer casings protect the inner junction fulcrums against rubble coming from door installation works.
- The clamping screws, placed in the outer casings, are not used for hinge adjustment, therefore they remain stable for a long time.
- Patented EP-B- 2719851.

Finishing

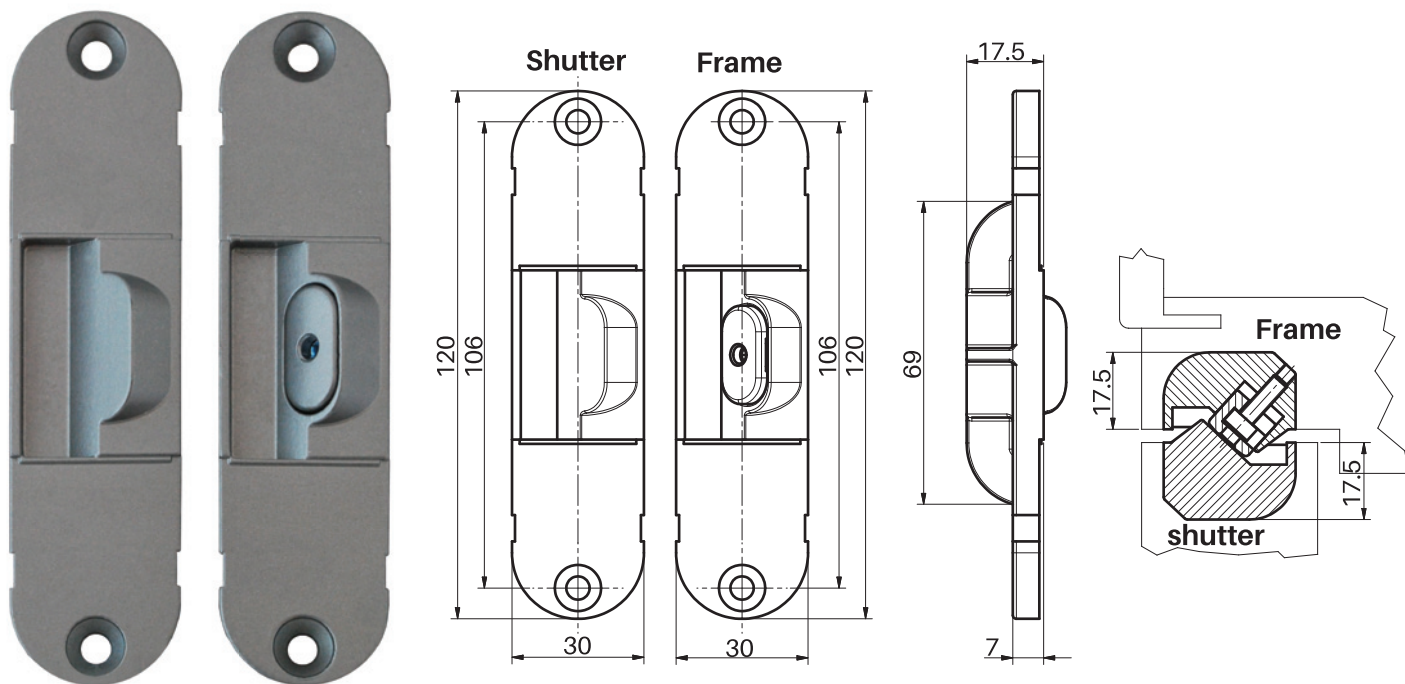


IN301090B002
Bronze plated



IN301090V702
Satinized silver plated

AI300120 - Adjustable door alignment device



Technical data

Device height	120 mm
width shutter side	30 mm
width frame side	30 mm
Depth	17,5 mm

* Tested with 90x210cm doors

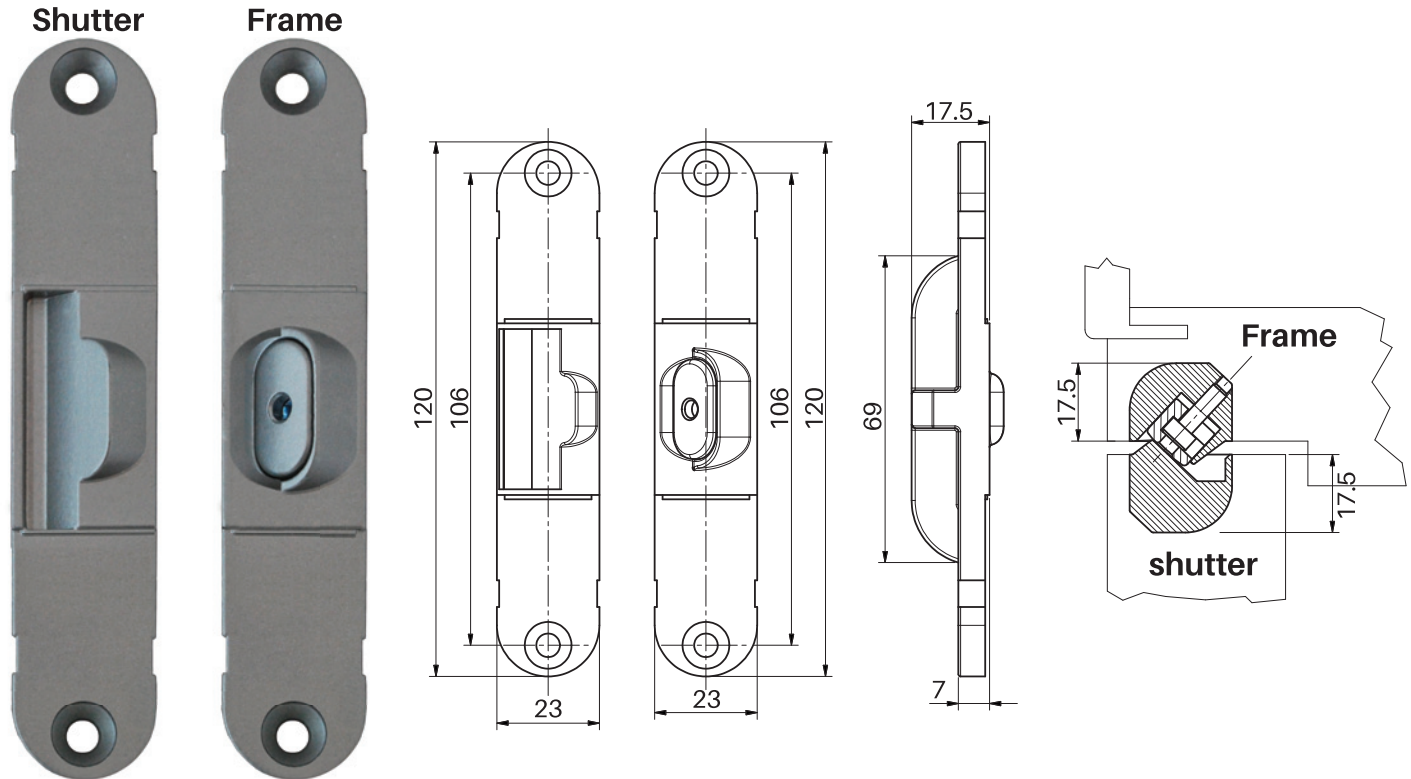
Technical features

- The device allows to keep the shutter aligned to the frame, avoiding in this way door deformities.
- The door alignment device is suitable to be installed on doors and frames in wood and aluminium
- Compatible with millings of IN300120 hinges.
- Adjustable tension of the door jamb.
- Material of device: ZAMAK.
- **Aluminum caps** available to conceal the screws.

Finishing

- Same than IN300 hinges

AI230120 - Adjustable door alignment device



Technical data

Device height	120 mm
width shutter side	23 mm
width frame side	23 mm
Depth	17,5 mm

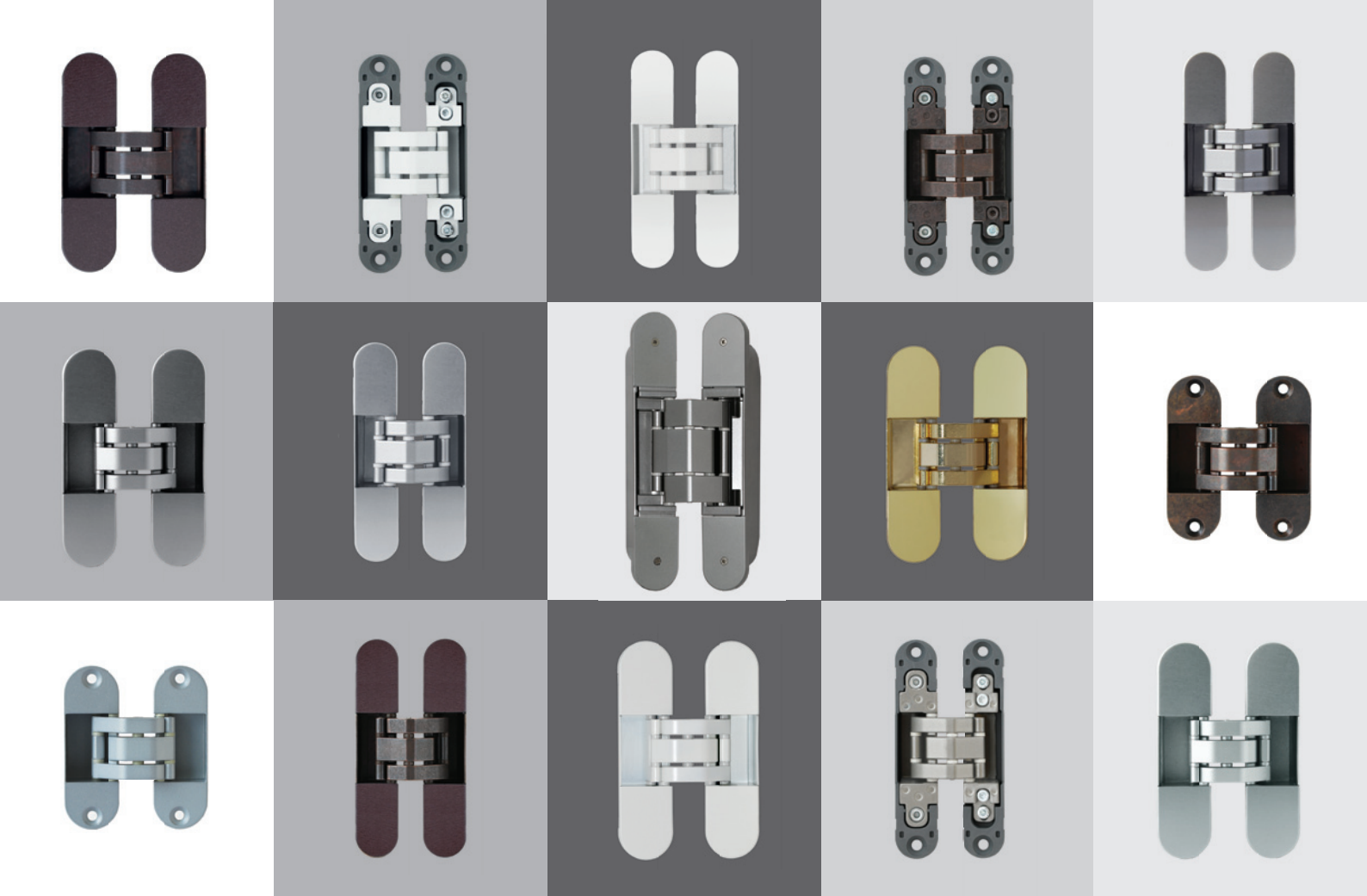
* Tested with 90x210cm doors

Technical features

- The device allows to keep the shutter aligned to the frame, avoiding in this way door deformities.
- The door alignment device is suitable to be installed on doors and frames in wood and aluminium
- Compatible with millings of IN230120 hinges.
- Adjustable tension of the door jamb.
- Material of device: ZAMAK.
- **Aluminum caps** available to conceal the screws.

Finishing

- Same than IN230 hinges



OTLAV S.p.a.
 Via Angelo Padovan, 2 - 31025 Santa Lucia di Piave (TV) - Italy
 tel. +39 0438 4611 - fax +39 0438 439252
 www.otlav.it - info@otlav.it

Follow us:

