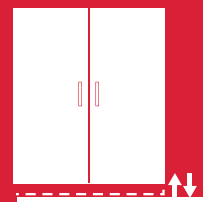
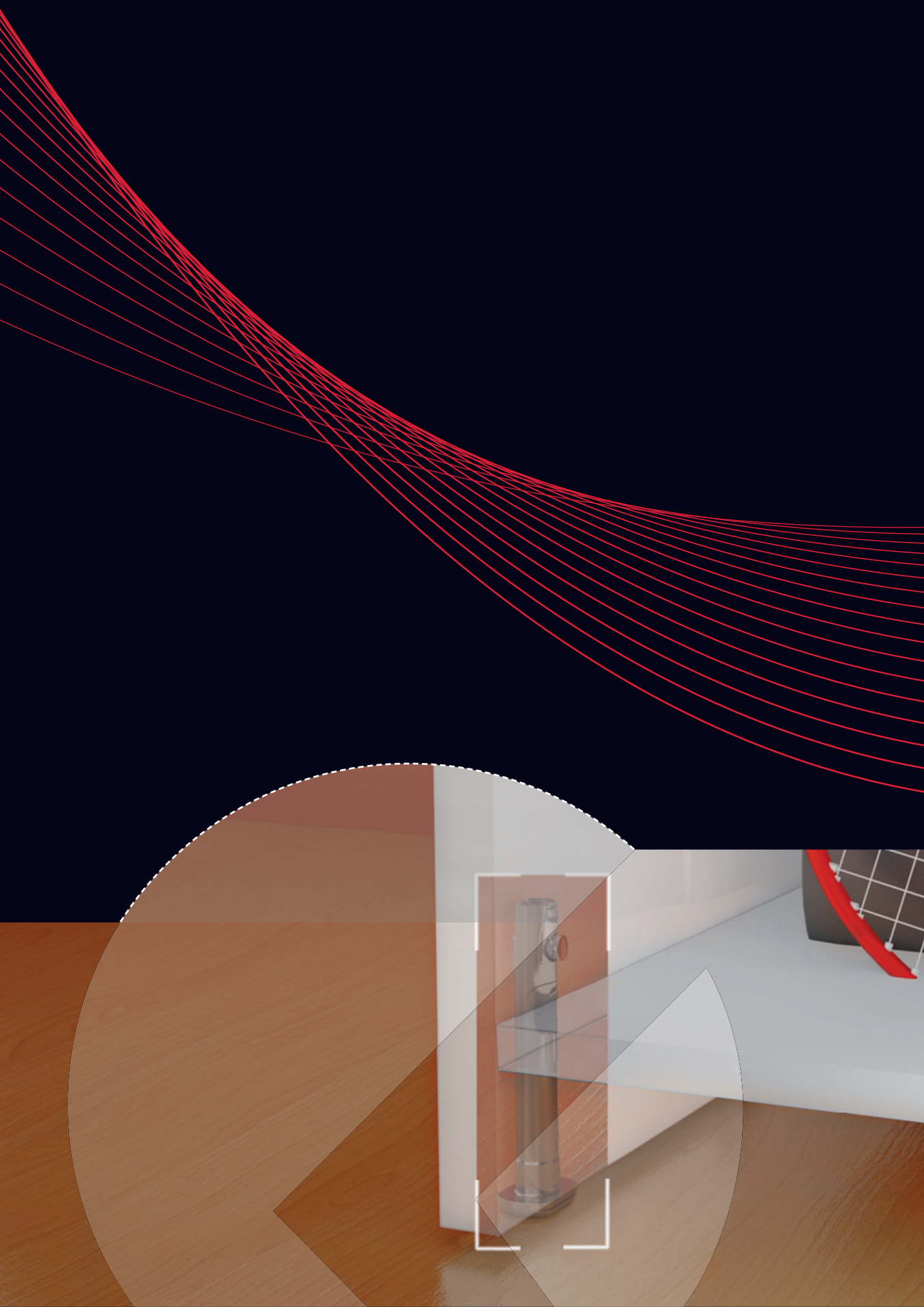


REKORD 12



LEVELLERS





SYMBOLS AND FINISHES LEGEND

SYMBOLS



= SHELF SAFELY LOCKED DURING TRANSPORTATION AND AT HOME.



= ANTI-TURNOVER LOCKING SYSTEM



= NORMS / PATENTS



= PHILLIPS / POZIDRIV



= NEWTON



= PART.NO



= HEXAGONAL SOCKET



= FRICTION



= PCS. PER PACKAGE



= BLADE SLOT



= AUTOMATIC



= COMBI SLOT



= DROP DOWN



= CAPACITY LOADING



= COUNTERSUNK HEAD



= WOOD / GLASS THICKNESS



= PAN HEAD



= STANDARD HINGE



= HOLE DIAMETER



= FLANGE HEAD



= KIMANA HINGE



= DIAMETER



= FLAT HEAD



= FLAP HINGE



= LENGTH



= TRILOBULAR SCREW



= WITH SPRING



= HEIGHT



= SELF-TAPPING SCREW



= WITHOUT SPRING



= RIGHT VERSION



= EURO THREAD



= REVERSED SPRING



= LEFT VERSION



= METRIC THREAD



= SETTING CODE



= PRE-INSERTED SCREW



= FOR ROUND TUBE



= PCS. PER PAD



= PRE-INSERTED SCREW AND SPREADING BUSH



= FOR OVAL TUBE



= CUT ON REQUEST



= WITH BUFFER



= SELF ADHESIVE



= WITH MAGNET



= WITH FLANGE

NOTE: Printing errors and omissions may exist despite our best efforts to ensure accuracy. We reserve the right to alter specifications without notice.

MATERIALS

ZA = Zinc Alloy

ST = Steel

HSS = High Speed Steel

BR = Brass

ABS = Acrylonitrile Butadiene Styrene

ZAnk = Nickel-plated Zinc Alloy

STzk = Zinc-plated Steel

AL = Aluminium

WD = Wood

EVA = Ethylene Vinyl Acetate

EP = **ENGINEERING PLASTIC**

+ **EP** = other engineering plastic available on request

SR = **SOFT RUBBER**

+ **SR** = other soft rubber available on request

EPn = Natural Engineering Plastic

EPc = Clear Engineering Plastic

SRn = Natural Soft Rubber

EPw = White Engineering Plastic

EPg = Grey Engineering Plastic

SRw = White Soft Rubber

EPwg = Water Green Engineering Plastic

SRb = Black Soft Rubber



FINISHES



= OTHER FINISHES AVAILABLE ON REQUEST

PART. NO	FINISHES	PART. NO	FINISHES	PART. NO	FINISHES
AA	Natural	JB	Bright Aluminium	QB	Walnut
AB	White	JC	Aluminium - Chrome	RO	Red
AC	Opal White	JD	Matt Aluminium	UZ	T -Met
AE	White 9010	JE	Satin-finished Aluminium	WA	Bronzed
AK	Champagne	JF	Aluminium - Brass	WI	Burnished
AL	Ivory	JG	Aluminium 5	XD	Satin-finished Steel
EA	Black	JL	Aluminium PE 11	YA	Nickel-plated
EB	Glossy Black	JM	Aluminium RAL 9006	YB	Bright Nickel-plated
EC	Matt Black	KA	Chrome	YC	Matt Nickel-plated
EE	Anthracite	KB	Bright Chrome	YD	Satin-finished Nickel-plated
FU	Gunmetal	KC	Matt Chrome	ZA	Zinc alloy
GR	Raw	MA	Brown	ZN	Zinc-plated
HA	Brass-Plated	MB	Light Brown 1	ZQ	Bright Gold
HH	Tropicalized	NN	Metallic Beige	ZY	Titanium
HL	Raw Brass	NO	Beige	ZZ	Clear
IA	Grey	OA	Oak	00	Insignificant finish
IB	Metallic Grey	OZ	Ash		
IF	Middle Grey	PA	Light Ash		
IJ	Light Grey	PZ	Beech		
IL	Grey 20	QA	Maple		



REKORD 12

REKORD 12 is the concealed leveller for sides 18mm thick (minimum) suitable to align heavy duty wardrobes, bookcases and modular furniture, especially conceived for flat pack furniture.

It is placed to the bottom edge of the side carcass and it is then adjustable through the Ø 8 mm access hole drilled to the inside carcass, by using a S4mm allen wrench.

The engineering plastic glide is independent in order to make the adjustment easier and to prevent the scratching of the floor too.

It is available in four versions: hole centres 52, 70, 96, 120mm.

The weight transmission rapport 1:1,5 of the gears, reduces the lifting effort.

Zinc alloy, engineering plastic and steel.

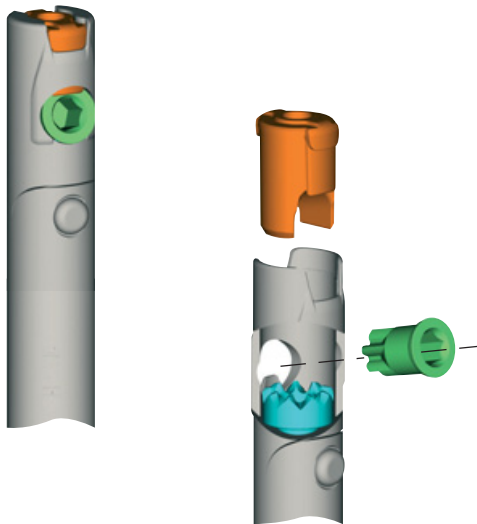
Loading capacity: 150 Kg each.

Very light and effortless adjustment.
12mm adjustment.

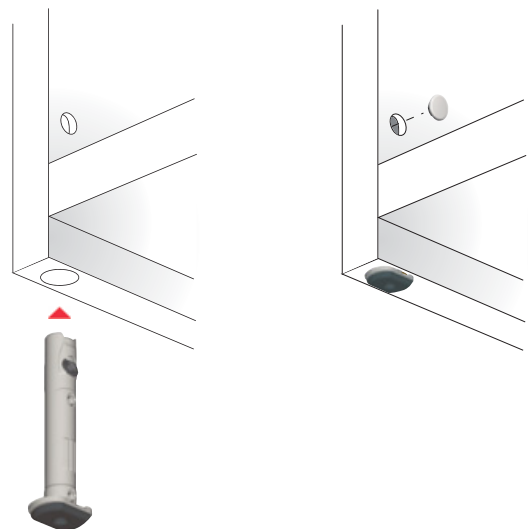
150 Kg per piece



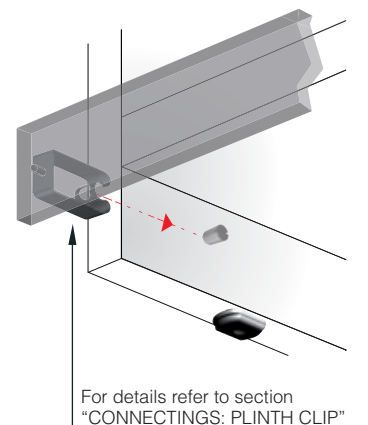
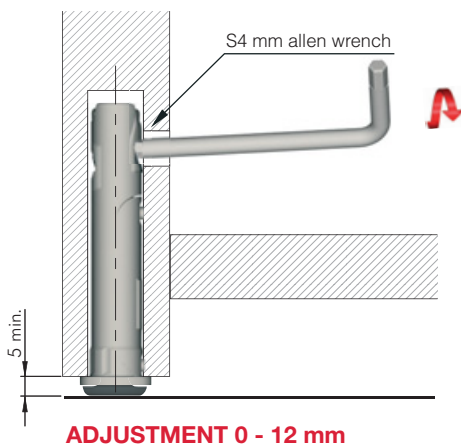
Tested in accordance with CATAS procedures



INSTALLATION

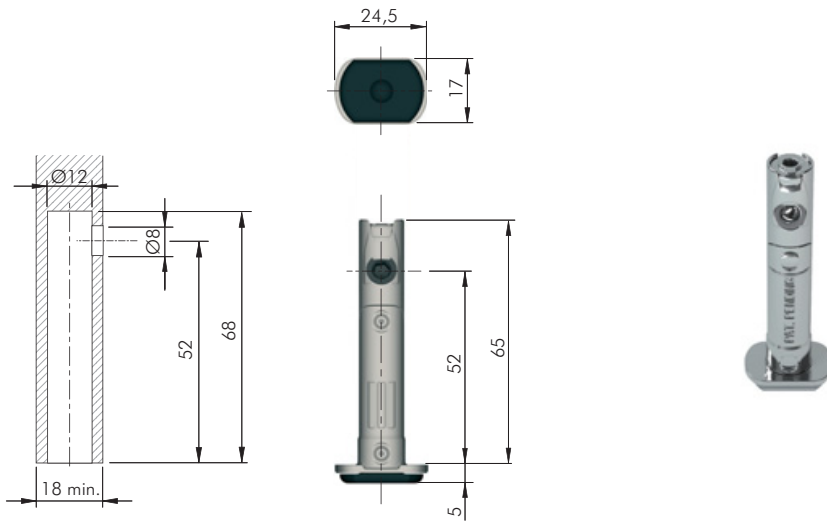


ADJUSTMENT





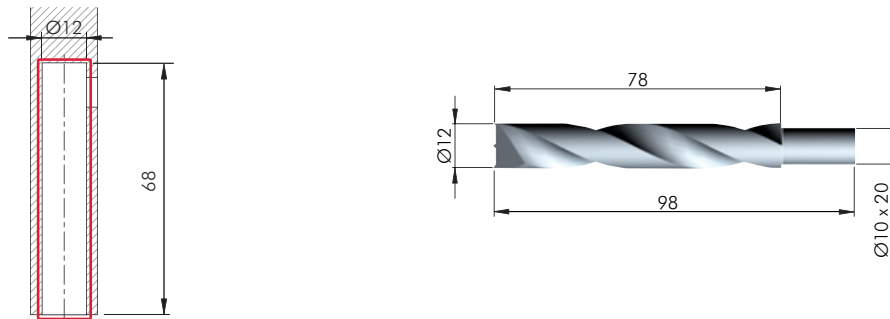
REKORD 12 H 52 mm



= S4 mm
 = 200 pcs.
 123

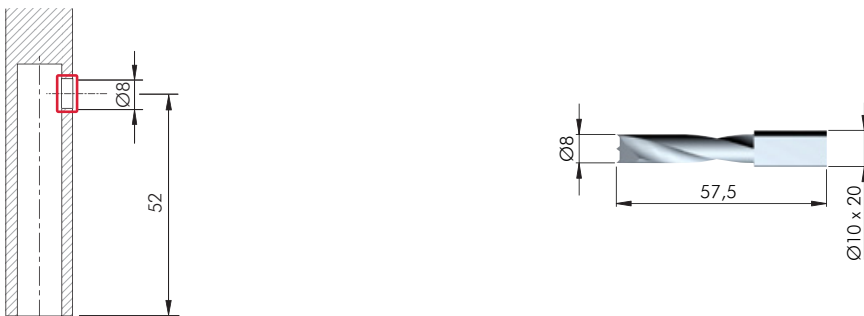
3030101000

DRILL BIT FOR REKORD 12 H 52 mm



= on request
 123

3030158000

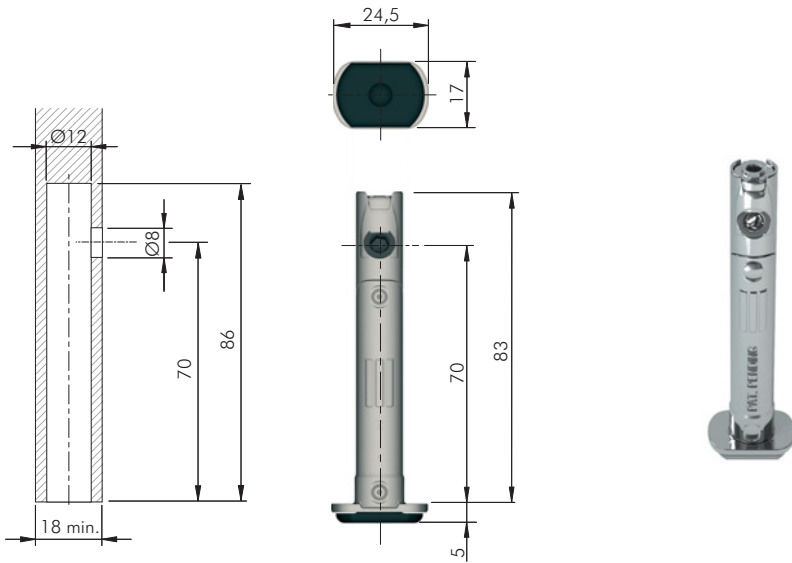


= on request
 123

1145202000

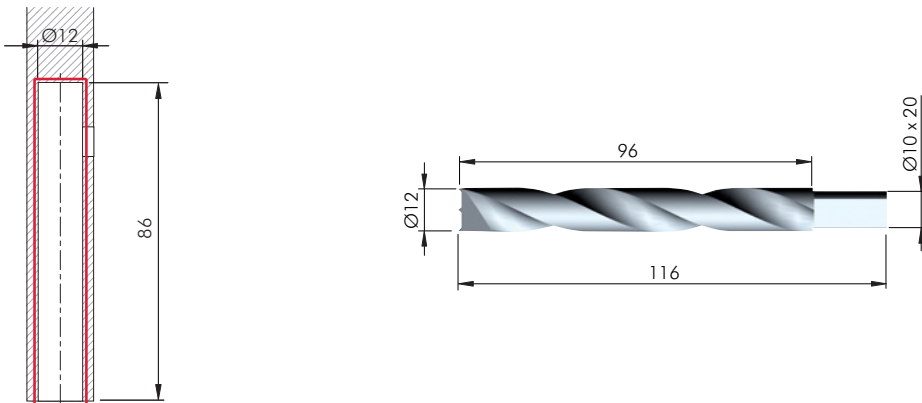


REKORD 12 H 70 mm

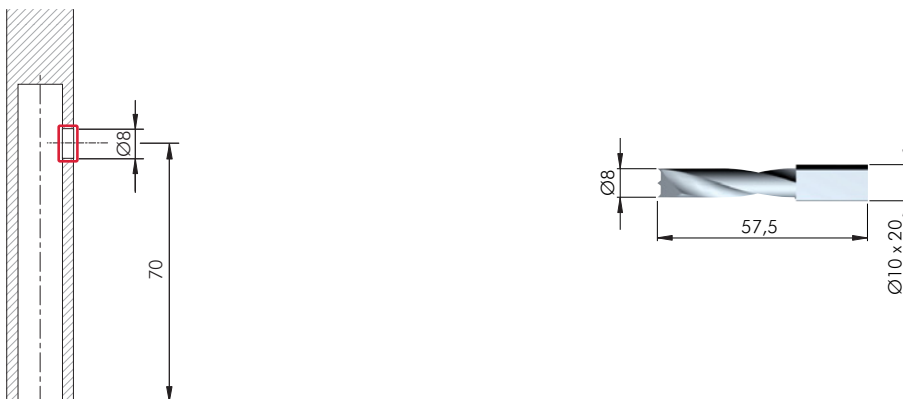


= S4 mm	= 150 pcs.
ZA EP ST	
3030102000	

DRILL BIT FOR REKORD 12 H 70 mm



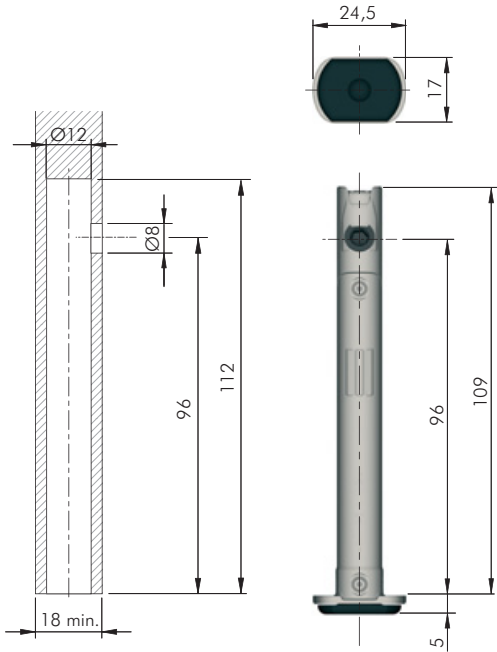
HSS	= on request
3030159000	



HSS	= on request
1145202000	

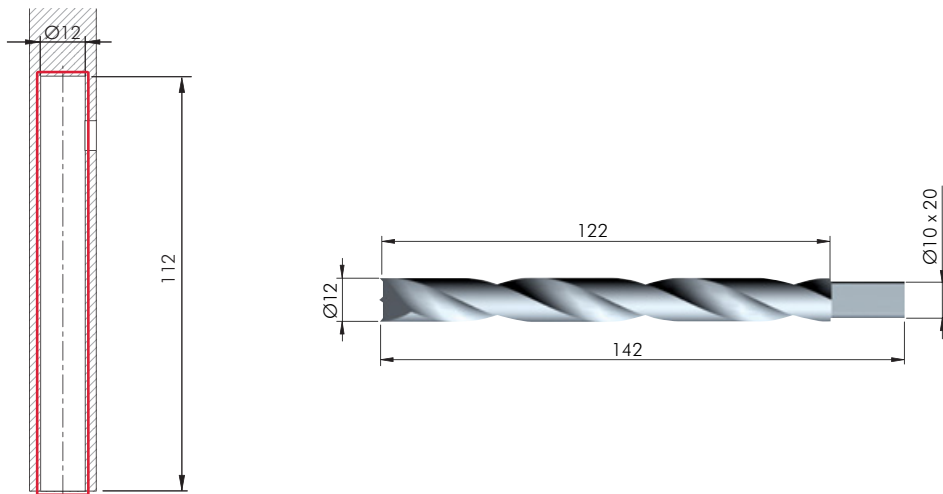


REKORD 12 H 96 mm

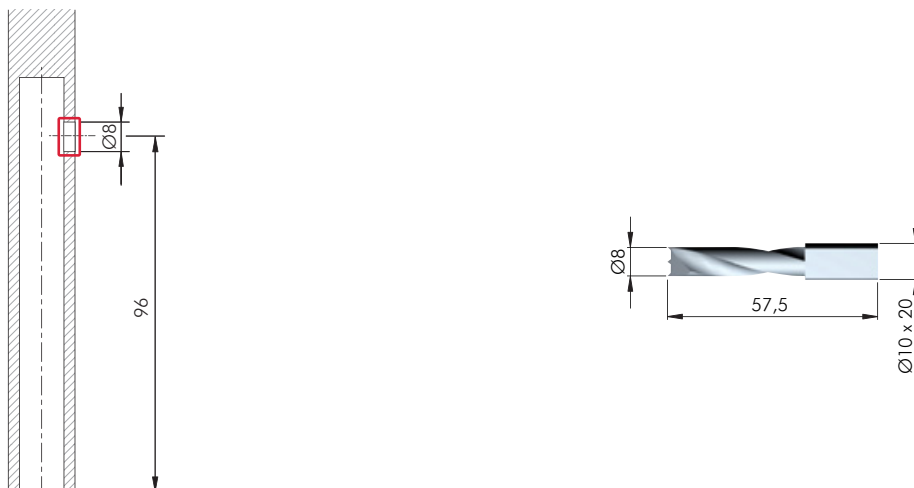


= S4 mm	= 125 pcs.
ZA EP ST	
123	
3030103000	

DRILL BIT FOR REKORD 12 H 96 mm



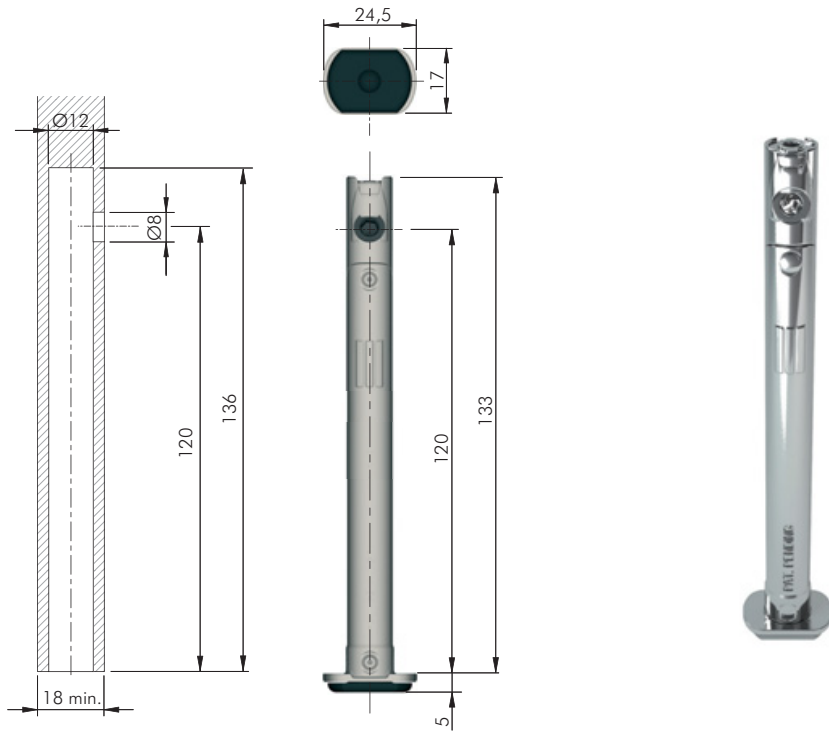
HSS	= on request
123	
3030153000	



HSS	= on request
123	
1145202000	

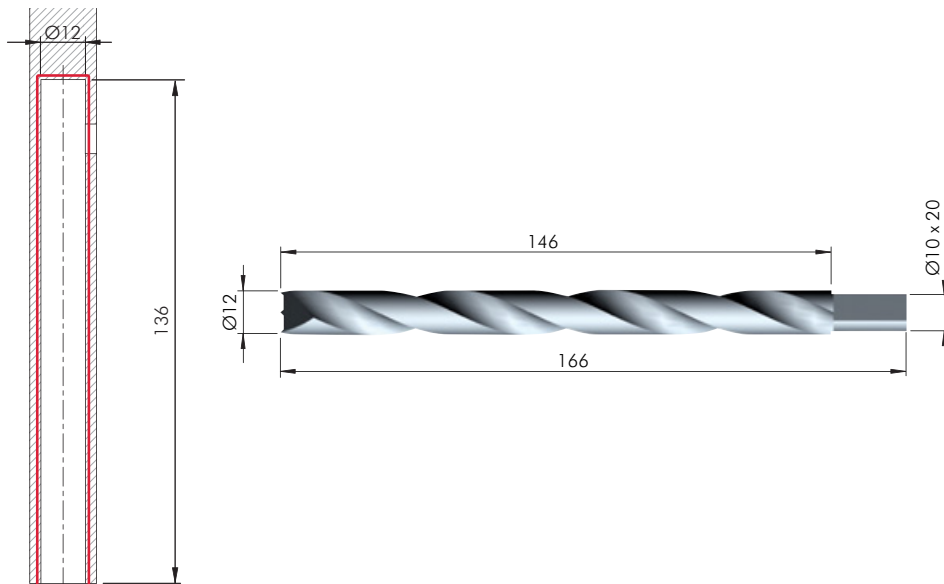


REKORD 12 H 120 mm

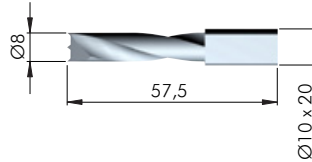
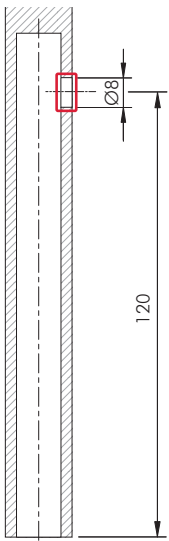


= S4 mm	= 100 pcs.
ZA EP ST	
123	
3030104000	

DRILL BIT FOR REKORD 12 H 120 mm

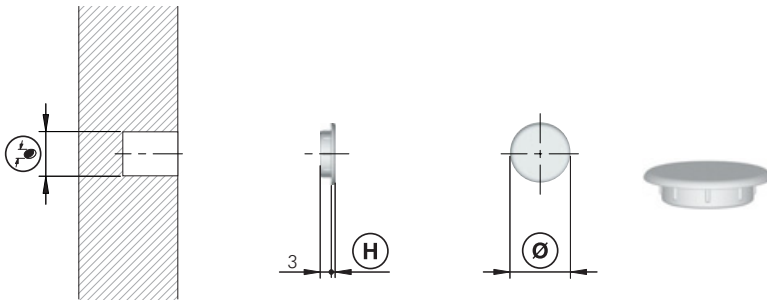


HSS	= on request
123	
3030152000	



HSS	= on request
123	
1145202000	

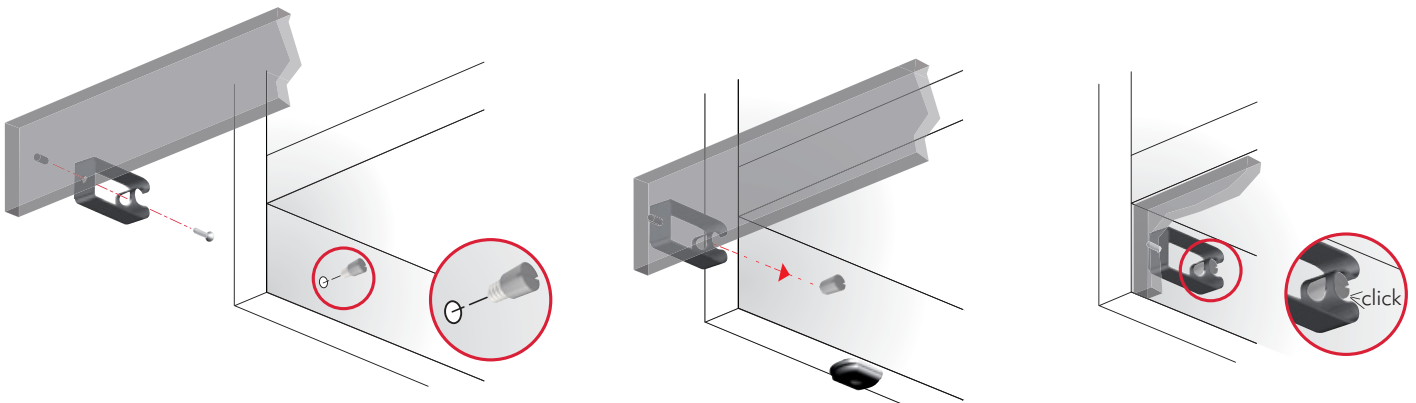
REKORD 12 ACCESSORY

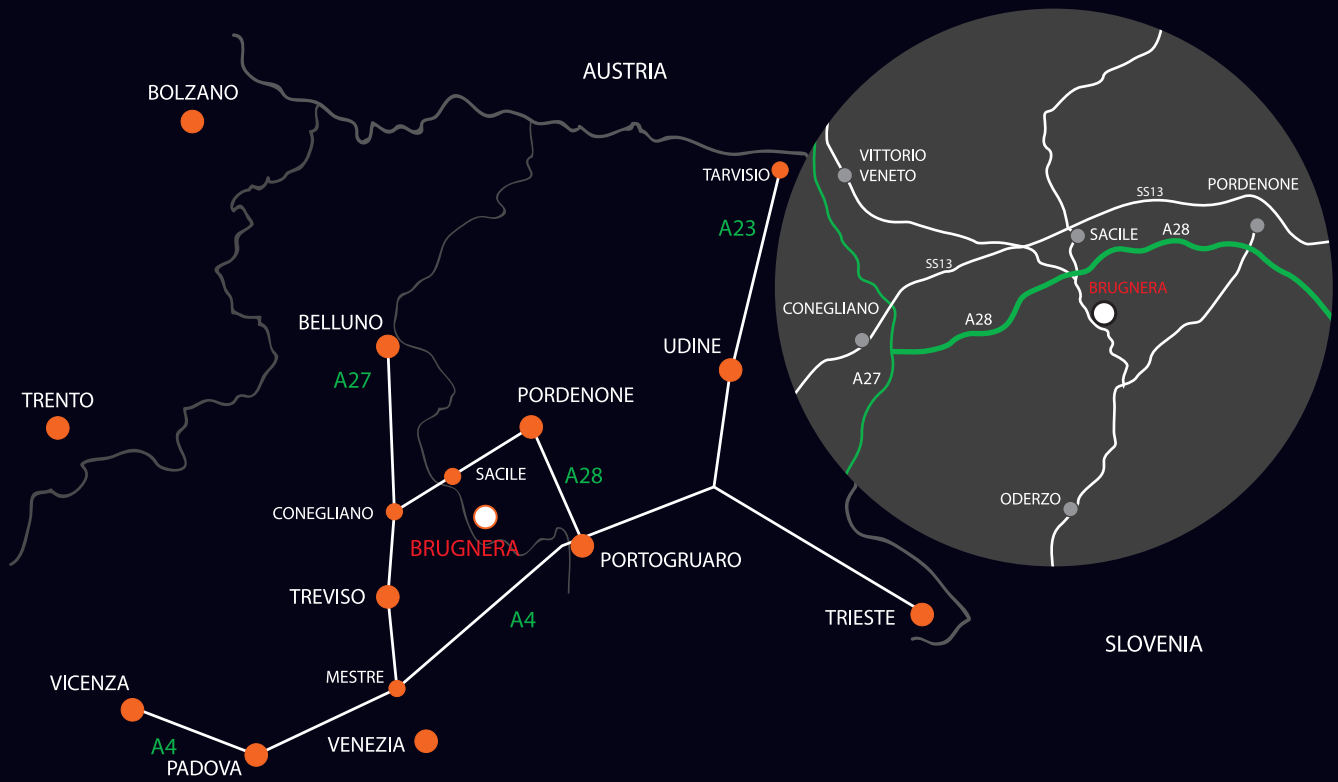


= Ø 8 mm					
EP					
123			Ø	H	
23002010AB	Ø 8	Ø 11	1	5000	

PLINTH CLIP FOR REKORD 12

- For details refer to section "CONNECTINGS: PLINTH CLIP"





www.italianaferramenta.com