

1 Cam-assisted door insertion and extraction movement.

2 Magnetic buffer for soft insertion.

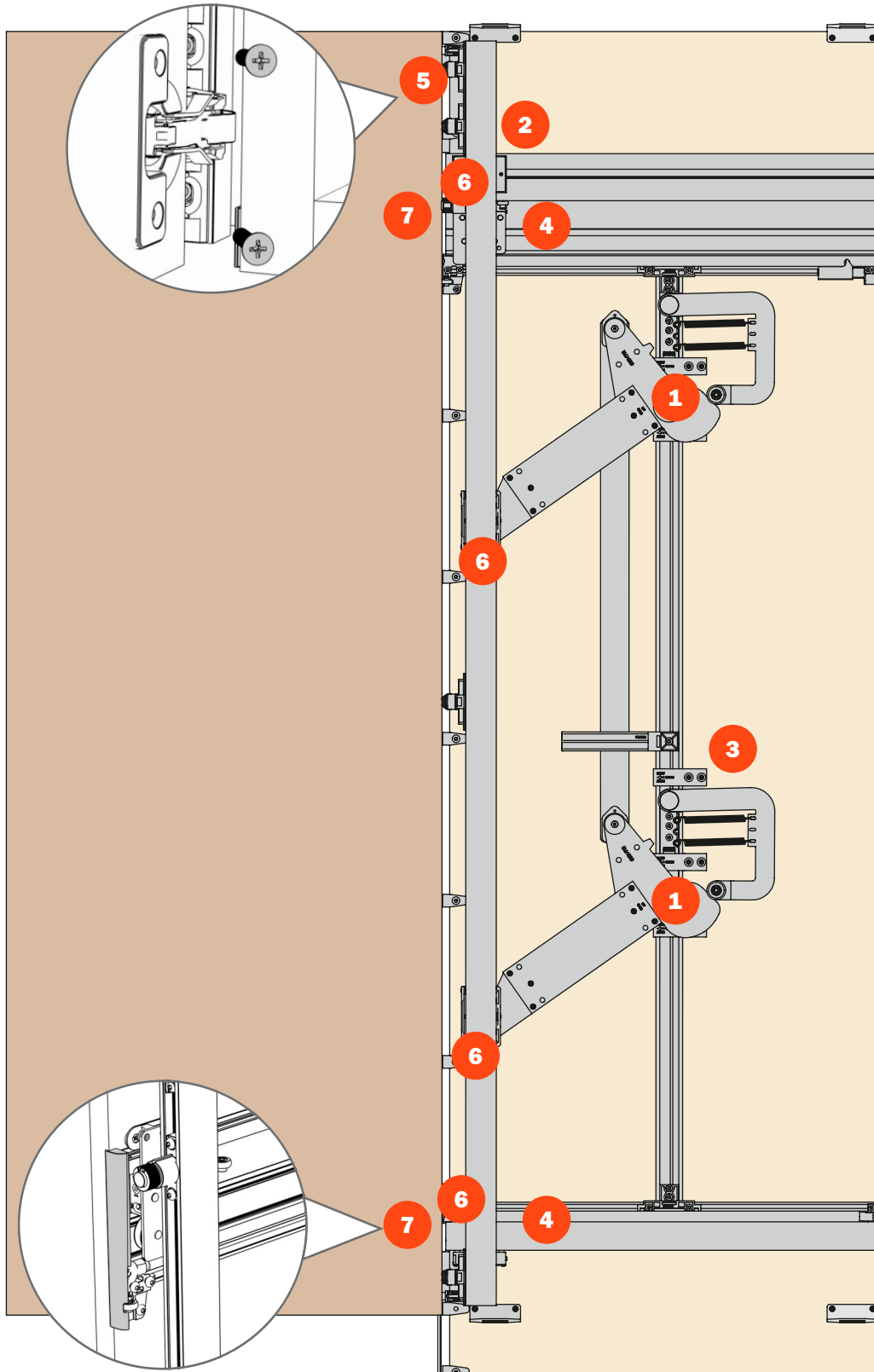
3 Slide-in installation to facilitate installation and removal of the mechanism from the front.

4 Sliding carriage.

5 Quick coupling hinges.

6 All adjustments are accessible from the front of the cabinet.

7 Profile cover caps (included in the standard versions).



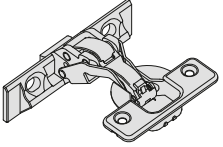
Exedra - Partially assembled

Partially-assembled systems.

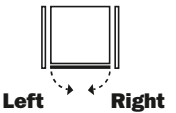
The partly-assembled Exedra system can be supplied in two versions: for doors with height from 1930 to 2230 mm or from 2231 to 2530 mm. Depth between 500 and 700 mm. After the identification of the version, the customer must cut to size the upper and the lower tracks, assemble the cams and install everything on the cabinet.

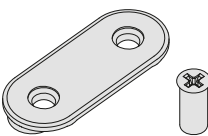
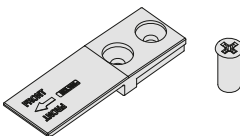
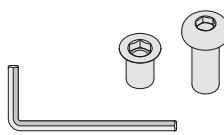
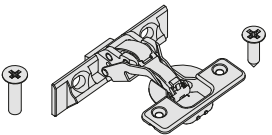
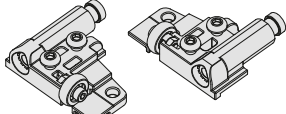
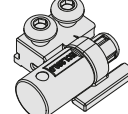
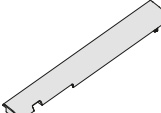
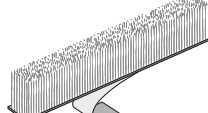
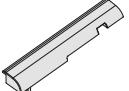
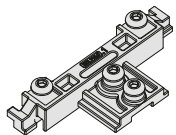
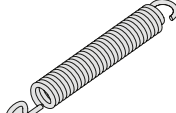
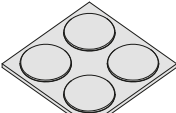

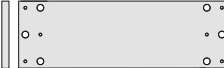
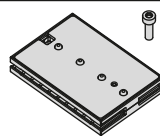
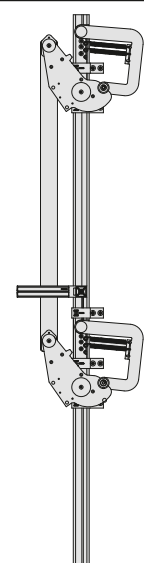

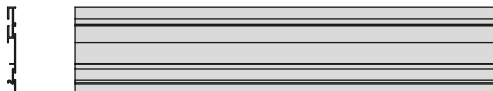

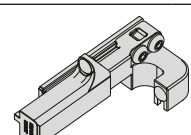
The locating clips and positioning stops ensure a fast and secure assembly and removal from the cabinet without the need to access the side of the cabinet.

Calculation of the min. structure dimensions

Usable structure depth (LPU - mm)									
		501 - 600		601 - 700					
Door height TH (mm)	Min	Max	Min	Max					
	1930	2230	1930	2230	4 x		max 24 kg		
	2231	2530	2231	2530	5 x		max 30 kg		

Mechanism kit – STANDARD PARTIALLY ASSEMBLED

Part number		Usable structure depth (LPU - mm)	Door height TH (mm)
YE55BMD2200NN	Right	500 - 700	1930 - 2230
YE55BMS2200NN	Left		
YE55BMD2500NN	Right	500 - 700	2231 - 2530
YE55BMS2500NN	Left		

	n° 9 Locating clips n° 18 Euroscrews 6.3 x 14		n° 5 Positioning stops n° 10 Screws 6.3 x 14
	n° 2 Threaded inserts M6 x 13 n° 2 Screws M6 20 UNI 7380 n° 1 Allen key		n° 4/5 Hinges for the fixing of the door n° 4/5 Flange covers n° 8/10 Screws for the fixing of the hinges to the system M5 x 20 UNI 7688 n° 8/10 Screws for the fixing of the hinges to the door 4 x 16 DIN 7505 A
	n° 1 + n° 1 Door extraction dampers		n° 1 Door insertion stopper
	n° 1 Upper front cover		2.5 mt Dust protection brush
	n° 1 Lower front cover		n° 2 Central profile connectors
	n° 2 Spare springs		N° 1 Spacers
	n° 12 Fixing screws for connection plates (screws M4 x UNI)		n° 2 Cam connection plates
	n° 1 Magnetic buffer for soft insertion		
	n° 1 Upper track		
	n° 1 Lower track		
	n° 1 Rear bumper		