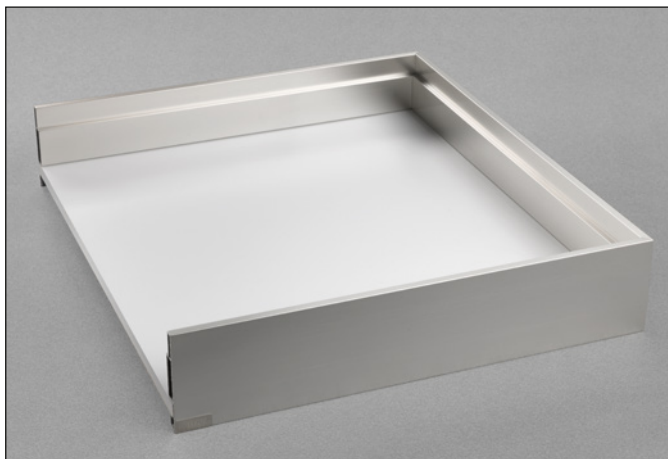


Lineabox - 3-sided - H 104 mm

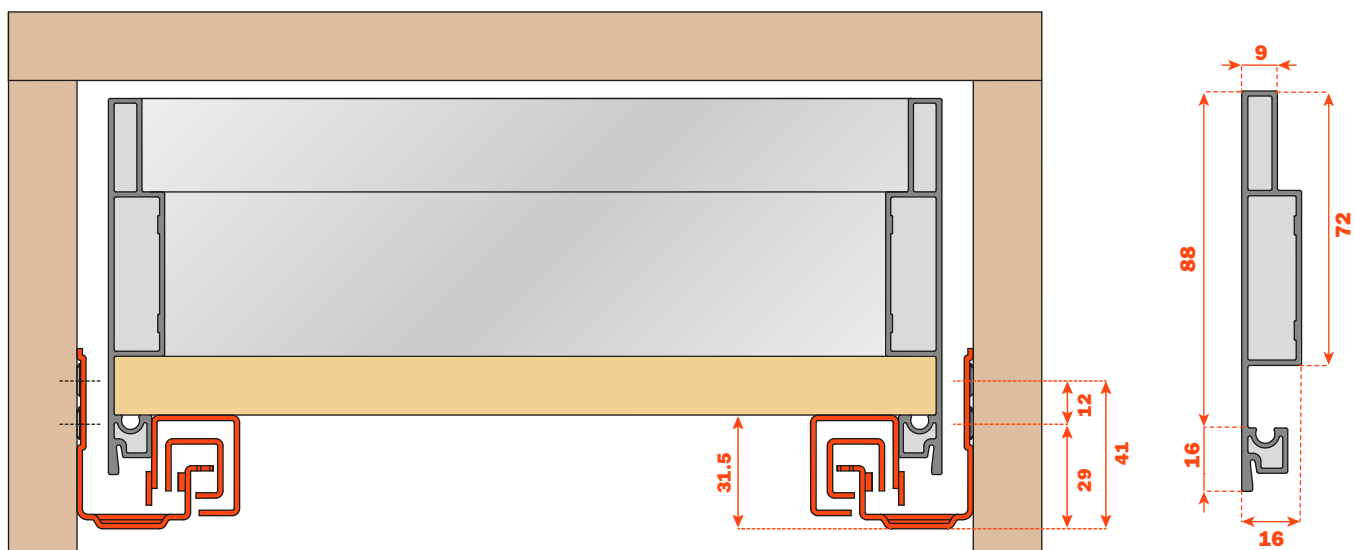


Height of the side 104 mm - Internal height 72 mm.
For use with Futura full-extension runners: 655 - 6557 - 6555
(consult the general catalogue "Runners and drawers").

- Rapid assembly system, with no machinery or templates needed.
- Rapid mounting and removal of drawer frontal.
- The back can be personalised according the width of the cabinet.
- Height, sideways and depth adjustment of the drawer incorporated in the runner fixing clips.
- Bottom thickness:
 - 16 mm
 - 15 mm with insert SMGP15X4XA
- Material: Aluminium
- Sides and back: 45° mitre cut end
- Finishes:
 - Stainless steel
 - Champagne
 - Titanium
 - White

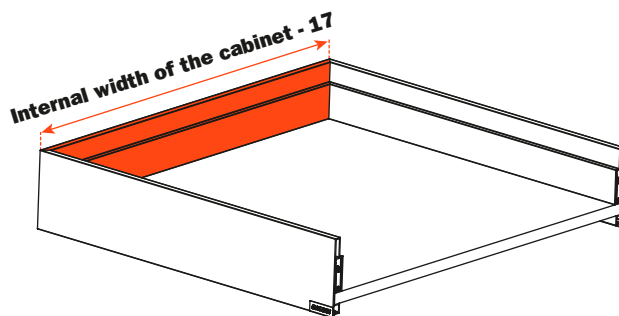
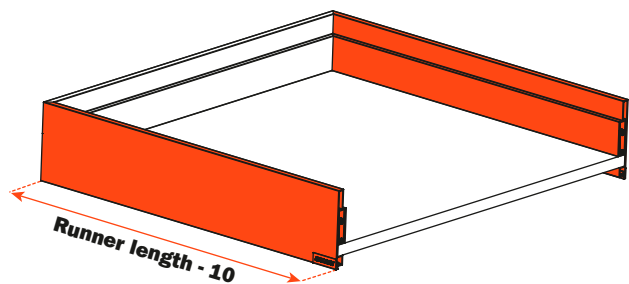
Dimensions with Futura full-extension runners

Thickness of the metal side

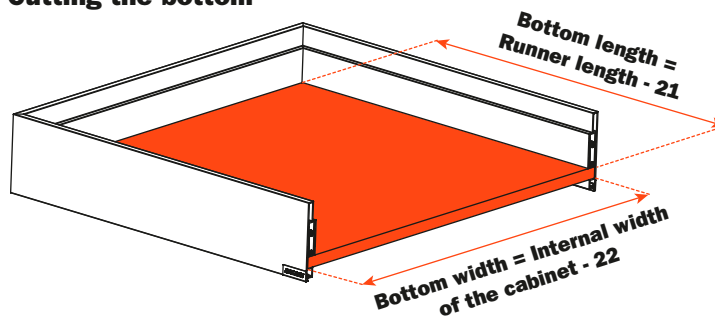


Cutting the sides

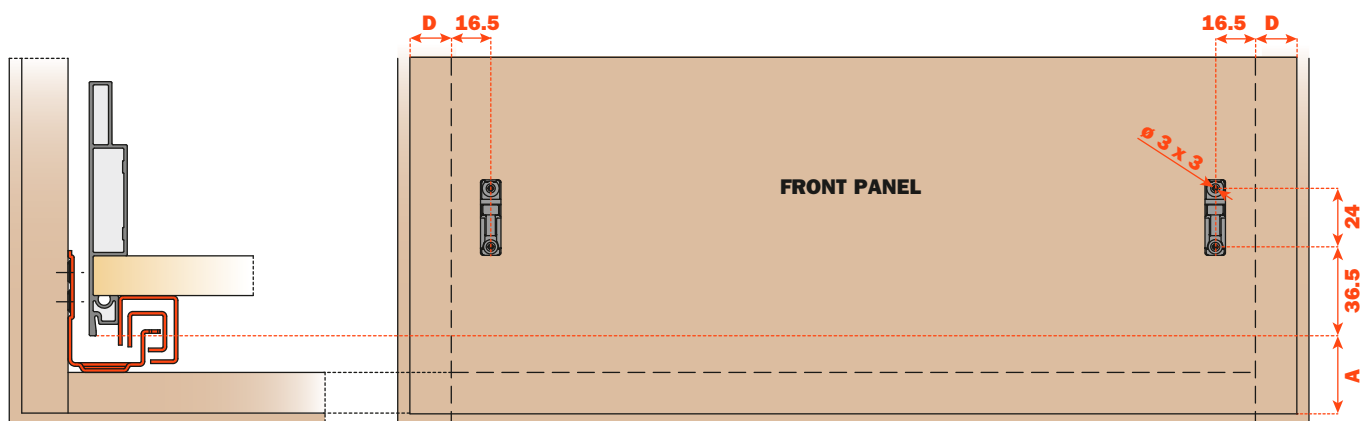
Cutting the back



Cutting the bottom



Frontal drilling



Elements of the drawer

- | | |
|---|-------------------------------|
| 1 Frontal connecting fitting AMGPXA3 | Nr. 2 pcs. |
| 2 Frontal fixing SMGP12A3XA | Nr. 2 pcs. |
| 3 Left back connecting fitting AMGPSP3 | Nr. 1 pcs. |
| 4 Right back connecting fitting AMGPDP3 | Nr. 1 pcs. |
| 5 Medium corner connector SMGP89P3MA | Nr. 2 pcs. |
| 6 Cover cap
(With embossed logo SCCX83H9 - With silk-screen printed logo SCXX83H9) | Nr. 2 pcs. (optional) |
| 7 Reinforcing supports for the bottom of the drawer AMSRX33 | Nr. 1 Set = 3 pcs. (optional) |

