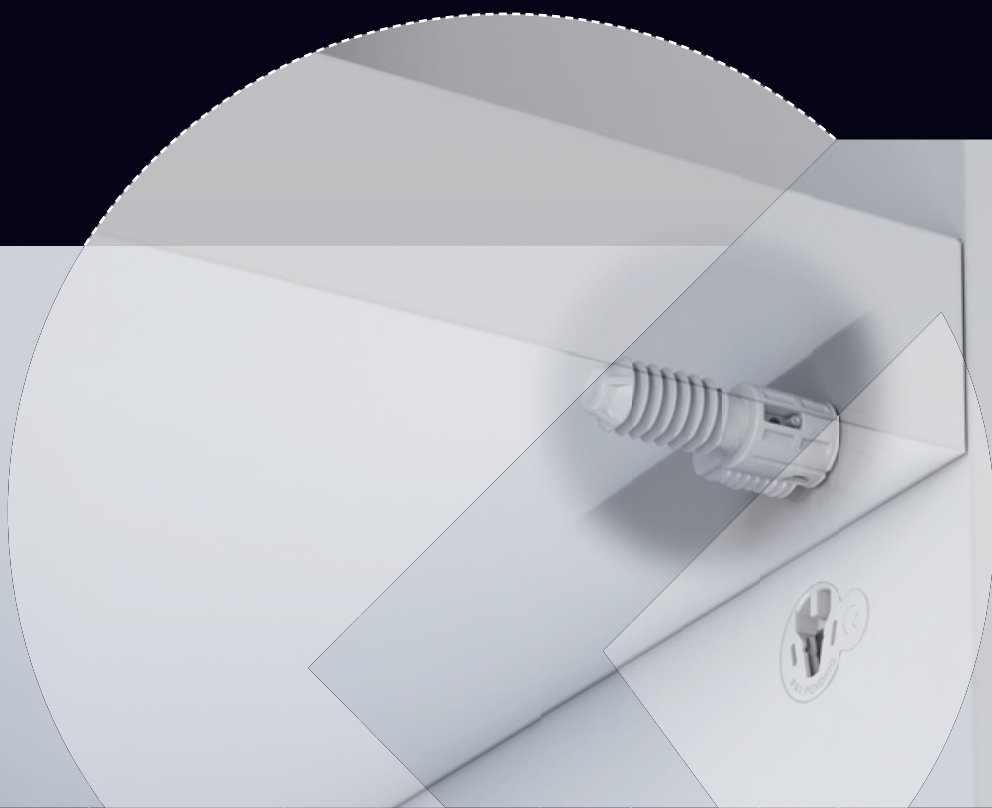


SECRET MAXI



SHELF
SUPPORTS





SYMBOLS AND FINISHES LEGEND

SYMBOLS



= SHELF SAFELY LOCKED DURING TRANSPORTATION AND AT HOME.



= ANTI-TURNOVER LOCKING SYSTEM



= NORMS / PATENTS



= PHILLIPS / POZIDRIV



= NEWTON



= PART.NO



= HEXAGONAL SOCKET



= FRICTION



= PCS. PER PACKAGE



= BLADE SLOT



= AUTOMATIC



= COMBI SLOT



= DROP DOWN



= CAPACITY LOADING



= COUNTERSUNK HEAD



= WOOD / GLASS THICKNESS



= PAN HEAD



= STANDARD HINGE



= HOLE DIAMETER



= FLANGE HEAD



= KIMANA HINGE



= DIAMETER



= FLAT HEAD



= FLAP HINGE



= LENGTH



= TRILOBULAR SCREW



= WITH SPRING



= HEIGHT



= SELF-TAPPING SCREW



= WITHOUT SPRING



= RIGHT VERSION



= EURO THREAD



= REVERSED SPRING



= LEFT VERSION



= METRIC THREAD



= SETTING CODE



= PRE-INSERTED SCREW



= FOR ROUND TUBE



= PCS. PER PAD



= PRE-INSERTED SCREW AND SPREADING BUSH



= FOR OVAL TUBE



= CUT ON REQUEST



= WITH BUFFER



= SELF ADHESIVE



= WITH MAGNET



= WITH FLANGE

NOTE: Printing errors and omissions may exist despite our best efforts to ensure accuracy. We reserve the right to alter specifications without notice.

MATERIALS

ZA = Zinc Alloy	ST = Steel	HSS = High Speed Steel	BR = Brass	ABS = Acrylonitrile Butadiene Styrene
ZAnk = Nickel-plated Zinc Alloy	STzk = Zinc-plated Steel	AL = Aluminium	WD = Wood	EVA = Ethylene Vinyl Acetate

EP = **ENGINEERING PLASTIC**

+ **EP** = other engineering plastic available on request

SR = **SOFT RUBBER**

+ **SR** = other soft rubber available on request

EPn = Natural Engineering Plastic	EPc = Clear Engineering Plastic	SRn = Natural Soft Rubber
EPw = White Engineering Plastic	EPg = Grey Engineering Plastic	SRw = White Soft Rubber
EPwg = Water Green Engineering Plastic		SRb = Black Soft Rubber



FINISHES



+ = OTHER FINISHES AVAILABLE ON REQUEST

PART. NO	FINISHES	PART. NO	FINISHES	PART. NO	FINISHES
AA	Natural	JB	Bright Aluminium	QB	Walnut
AB	White	JC	Aluminium - Chrome	RO	Red
AC	Opal White	JD	Matt Aluminium	UZ	T -Met
AE	White 9010	JE	Satin-finished Aluminium	WA	Bronzed
AK	Champagne	JF	Aluminium - Brass	WI	Burnished
AL	Ivory	JG	Aluminium 5	XD	Satin-finished Steel
EA	Black	JL	Aluminium PE 11	YA	Nickel-plated
EB	Glossy Black	JM	Aluminium RAL 9006	YB	Bright Nickel-plated
EC	Matt Black	KA	Chrome	YC	Matt Nickel-plated
EE	Anthracite	KB	Bright Chrome	YD	Satin-finished Nickel-plated
FU	Gunmetal	KC	Matt Chrome	ZA	Zinc alloy
GR	Raw	MA	Brown	ZN	Zinc-plated
HA	Brass-Plated	MB	Light Brown 1	ZQ	Bright Gold
HH	Tropicalized	NN	Metallic Beige	ZY	Titanium
HL	Raw Brass	NO	Beige	ZZ	Clear
IA	Grey	OA	Oak	00	Insignificant finish
IB	Metallic Grey	OZ	Ash		
IF	Middle Grey	PA	Light Ash		
IJ	Light Grey	PZ	Beech		
IL	Grey 20	QA	Maple		



SECRET MAXI FOR 25 mm SHELF MIN.

SECRET is the new hidden shelf support by Italiana Ferramenta, the only one that guarantees both the shelf locking and unlocking. The shelf support **SECRET** is completely hidden, even when used on bifacial furniture. The hanging system provides a structural junction between the shelf and the side panel, thus making **SECRET** suitable even for constructions with flap and drop-down doors. When flap and drop-down doors are required, the shelf can be fully locked by using an exagonal key S 2,5. The hole for the shelf locking can be drilled on either the upper or the lower side of the shelf. **SECRET** allows the customer to fix and remove the shelves in an easy and intuitive way. The furniture processing doesn't require any milling; simply drillings.

SECRET MAXI can be used on shelves 25mm minimum thick.

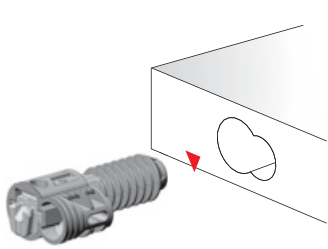
PAT. PENDING



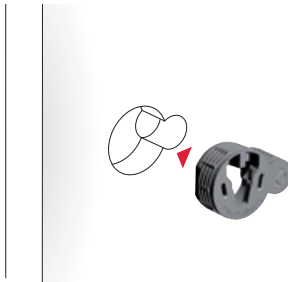
PAT. PENDING

INSTALLATION AND ASSEMBLING

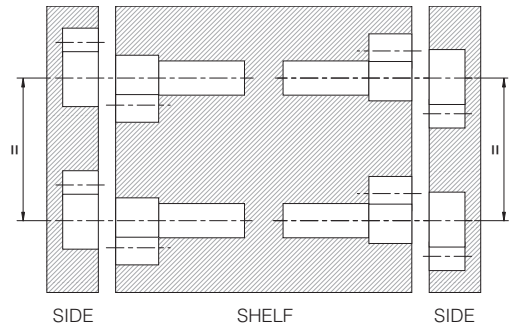
SHELF SUPPORT INSERTION ON THE SHELF



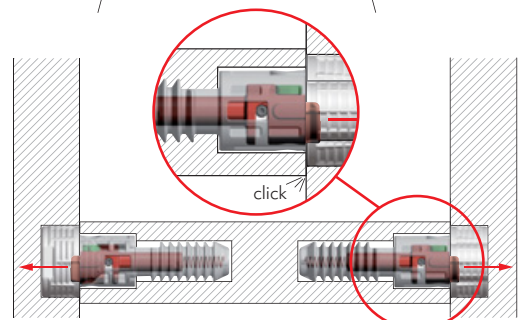
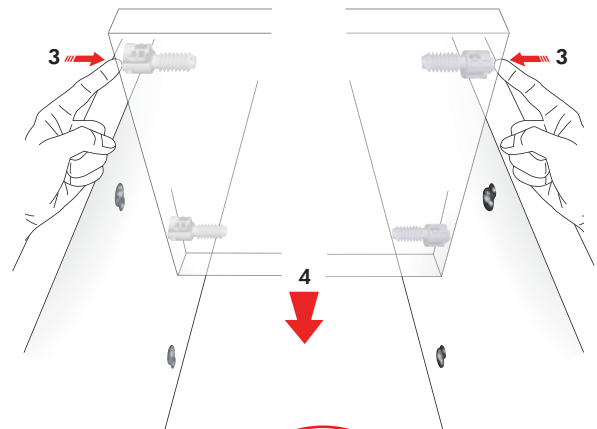
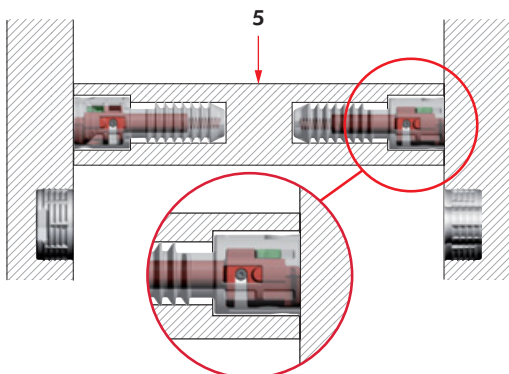
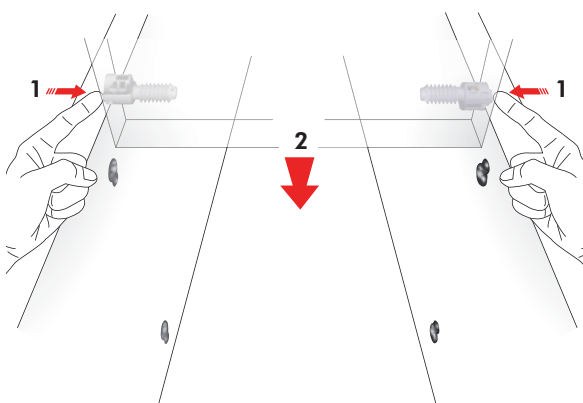
SIDE BUSH INSERTION



ALIGNMENT SHELF SUPPORT AND SIDE BUSH



SHELF PLACEMENT



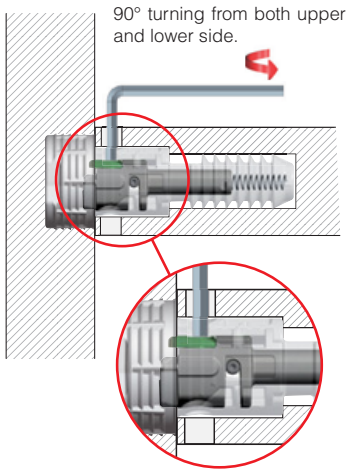
Automatic locking



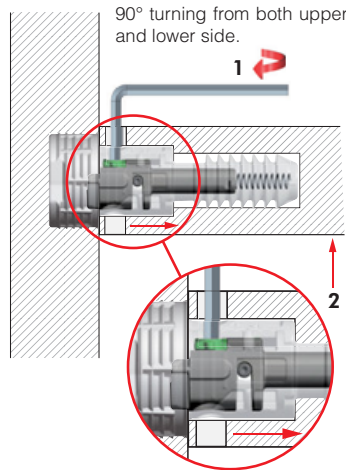
LOCKING DEVICE WHEN SHELVES MOUNTING HINGES FOR FLAP OR DROP DOWN DOORS

Ø 4 mm hole allows the access to the minifix with an hexagonal key S 2,5. It can be drilled either on the upper or on the lower side of the shelf, (or even a passing through hole) according to the customer's needs.

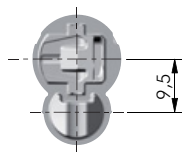
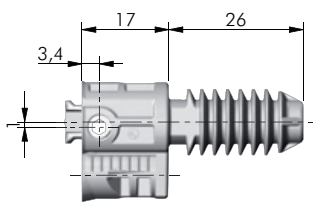
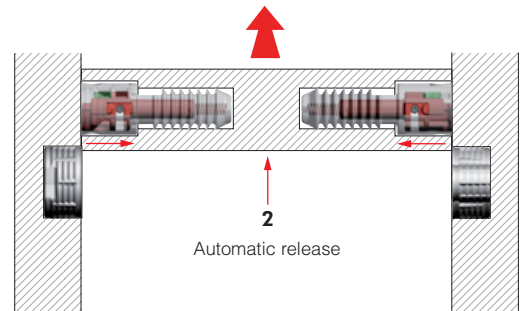
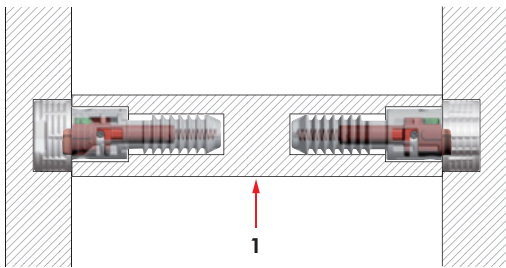
SHELF LOCKING



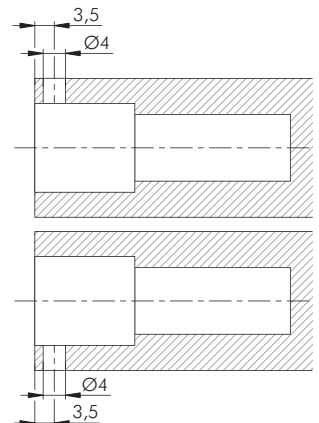
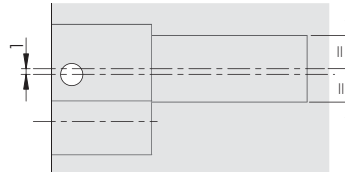
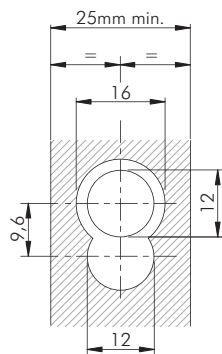
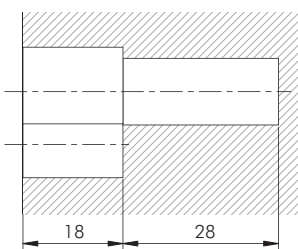
SHELF UNLOCKING

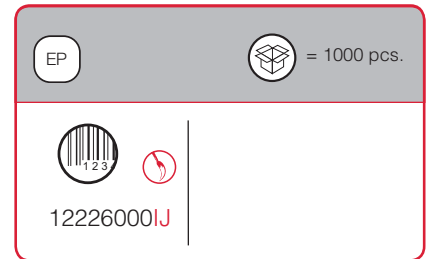
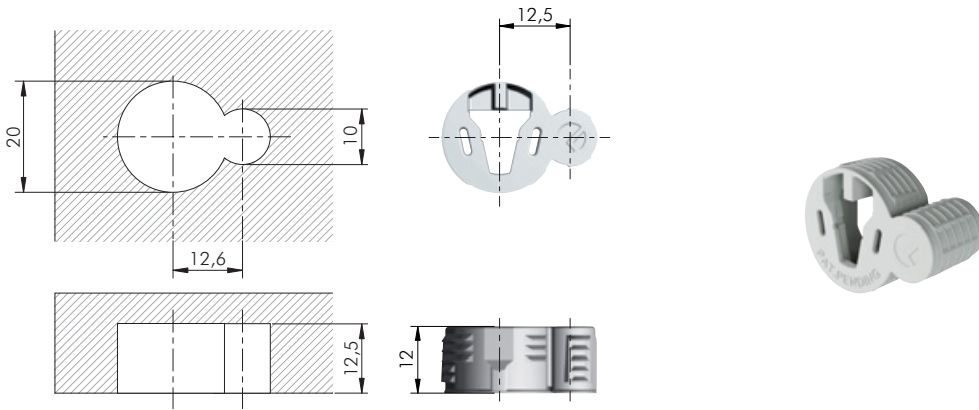


SHELF REMOVAL

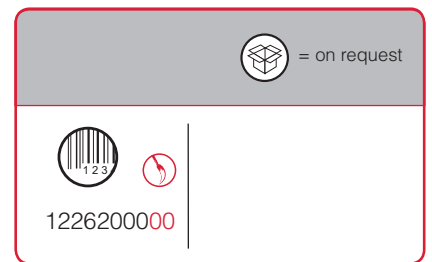
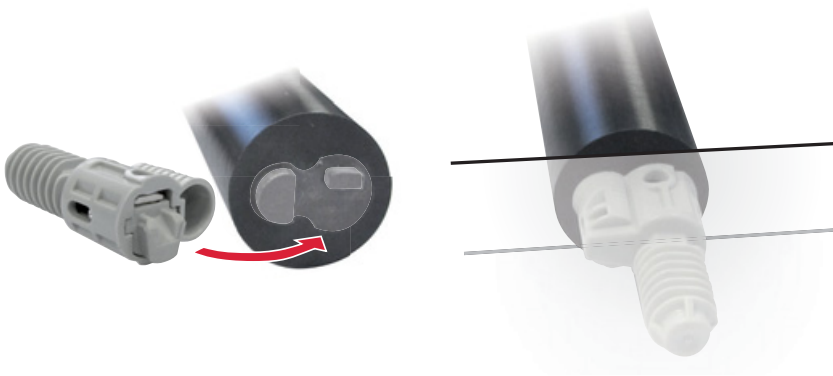


EP	ST	= 1000 pcs.
12224000IJ		

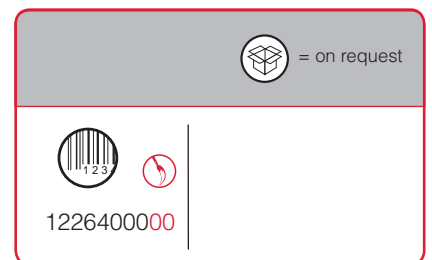




SECRET MAXI TEMPLATE FOR SHELF SUPPORT

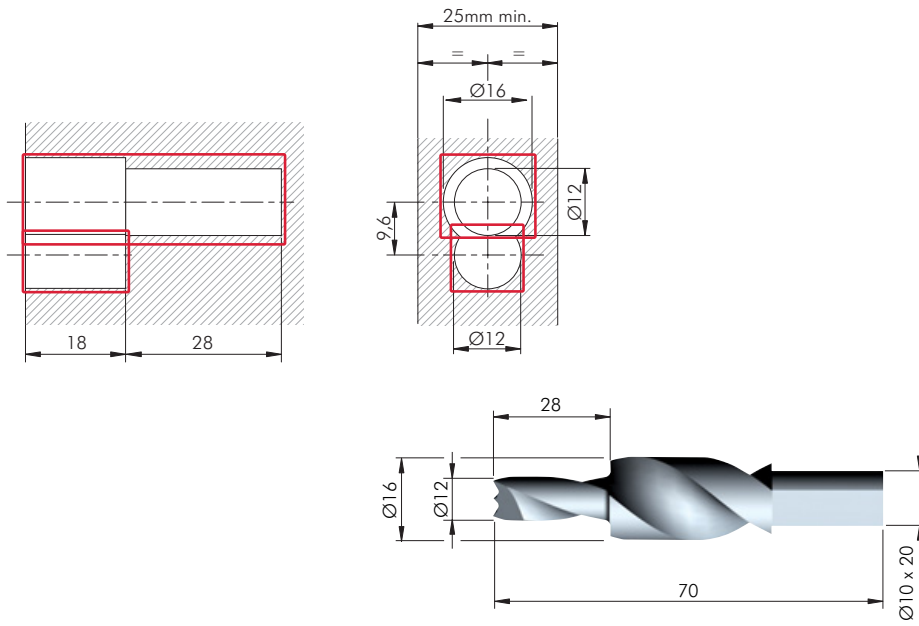


SECRET MAXI TEMPLATE FOR SIDE BUSH



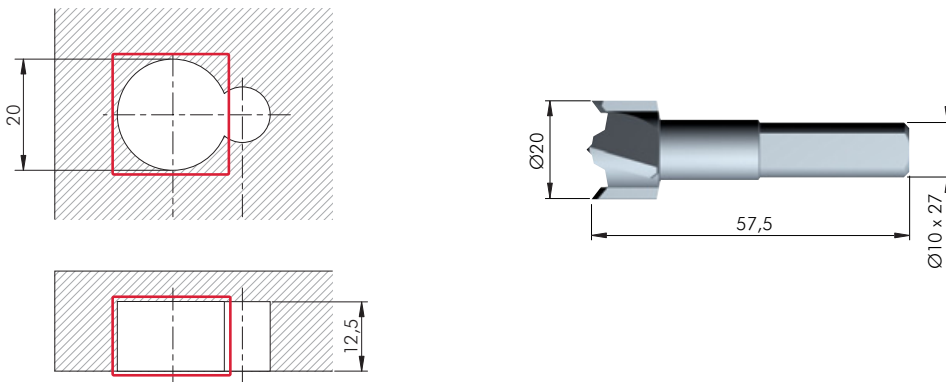


DRILL BIT FOR SECRET MAXI

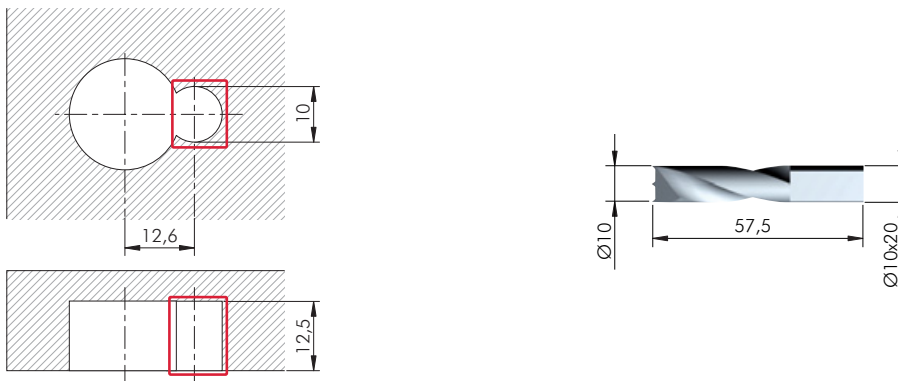


HSS	= on request
123	
1220103000	(R)
1220104000	(L)

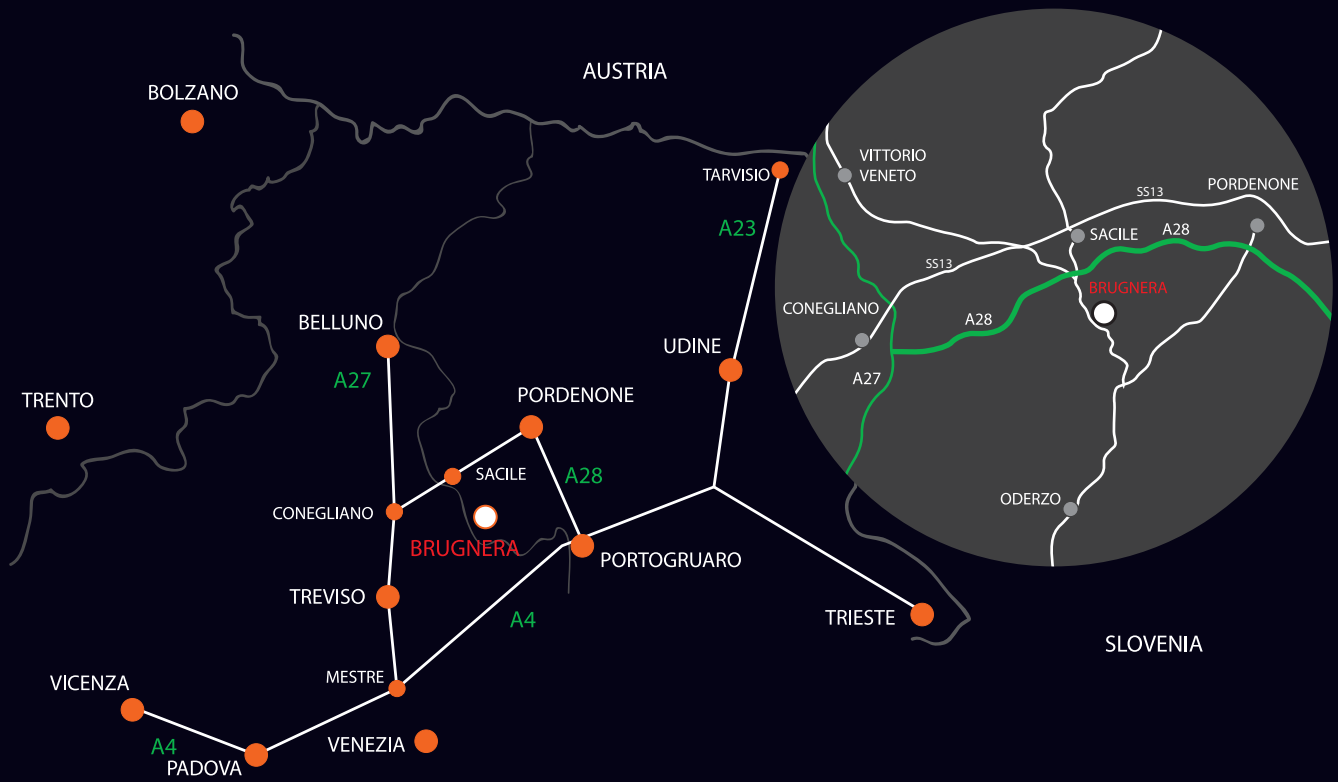
DRILL BIT FOR SECRET MAXI SIDE BUSH



HSS	= on request
123	
1220102000	



HSS	= on request
123	
1220101000	



www.italianaferramenta.com