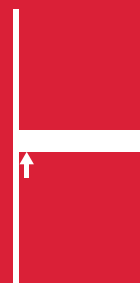


TRIADE MINI



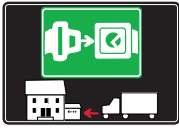
WOOD AND
GLASS
SHELVING
SYSTEMS





SYMBOLS AND FINISHES LEGEND

SYMBOLS



= SHELF SAFELY LOCKED DURING TRANSPORTATION AND AT HOME.



= ANTI-TURNOVER LOCKING SYSTEM



= NORMS / PATENTS



= PHILLIPS / POZIDRIV



= NEWTON



= PART.NO



= HEXAGONAL SOCKET



= FRICTION



= PCS. PER PACKAGE



= BLADE SLOT



= AUTOMATIC



= COMBI SLOT



= DROP DOWN



= CAPACITY LOADING



= COUNTERSUNK HEAD



= WOOD / GLASS THICKNESS



= PAN HEAD



= STANDARD HINGE



= HOLE DIAMETER



= FLANGE HEAD



= KIMANA HINGE



= DIAMETER



= FLAT HEAD



= FLAP HINGE



= LENGTH



= TRILOBULAR SCREW



= WITH SPRING



= HEIGHT



= SELF-TAPPING SCREW



= WITHOUT SPRING



= RIGHT VERSION



= EURO THREAD



= REVERSED SPRING



= LEFT VERSION



= METRIC THREAD



= SETTING CODE



= PRE-INSERTED SCREW



= FOR ROUND TUBE



= PCS. PER PAD



= PRE-INSERTED SCREW AND SPREADING BUSH



= FOR OVAL TUBE



= CUT ON REQUEST



= WITH BUFFER



= SELF ADHESIVE



= WITH MAGNET



= WITH FLANGE

NOTE: Printing errors and omissions may exist despite our best efforts to ensure accuracy. We reserve the right to alter specifications without notice.

MATERIALS

ZA = Zinc Alloy	ST = Steel	HSS = High Speed Steel	BR = Brass	ABS = Acrylonitrile Butadiene Styrene
ZAnk = Nickel-plated Zinc Alloy	STzk = Zinc-plated Steel	AL = Aluminium	WD = Wood	EVA = Ethylene Vinyl Acetate

EP = **ENGINEERING PLASTIC**

+ **EP** = other engineering plastic available on request

SR = **SOFT RUBBER**

+ **SR** = other soft rubber available on request

EPn = Natural Engineering Plastic	EPc = Clear Engineering Plastic	SRn = Natural Soft Rubber
EPw = White Engineering Plastic	EPg = Grey Engineering Plastic	SRw = White Soft Rubber
EPwg = Water Green Engineering Plastic		SRb = Black Soft Rubber



FINISHES



= OTHER FINISHES AVAILABLE ON REQUEST

PART. NO	FINISHES	PART. NO	FINISHES	PART. NO	FINISHES
AA	Natural	JB	Bright Aluminium	QB	Walnut
AB	White	JC	Aluminium - Chrome	RO	Red
AC	Opal White	JD	Matt Aluminium	UZ	T -Met
AE	White 9010	JE	Satin-finished Aluminium	WA	Bronzed
AK	Champagne	JF	Aluminium - Brass	WI	Burnished
AL	Ivory	JG	Aluminium 5	XD	Satin-finished Steel
EA	Black	JL	Aluminium PE 11	YA	Nickel-plated
EB	Glossy Black	JM	Aluminium RAL 9006	YB	Bright Nickel-plated
EC	Matt Black	KA	Chrome	YC	Matt Nickel-plated
EE	Anthracite	KB	Bright Chrome	YD	Satin-finished Nickel-plated
FU	Gunmetal	KC	Matt Chrome	ZA	Zinc alloy
GR	Raw	MA	Brown	ZN	Zinc-plated
HA	Brass-Plated	MB	Light Brown 1	ZQ	Bright Gold
HH	Tropicalized	NN	Metallic Beige	ZY	Titanium
HL	Raw Brass	NO	Beige	ZZ	Clear
IA	Grey	OA	Oak	00	Insignificant finish
IB	Metallic Grey	OZ	Ash		
IF	Middle Grey	PA	Light Ash		
IJ	Light Grey	PZ	Beech		
IL	Grey 20	QA	Maple		

TRIADE MINI

TRIADE MINI is the concealed mounting bracket for shelves 25 mm thick. It has been conceived to simplify the shelf installation. It is provided with three independent adjustments:

1) VERTICAL

Before installing the shelf, the mounting brackets can be adjusted in height and (vertically) aligned through the slots.

2) HORIZONTAL

While placing the shelf in position, the supporting pins can be slid horizontally.

3) INCLINATION

When the shelf is partially inserted, the shelf angle can be adjusted front to back by turning the supporting pins with a 12mm open-ended wrench.

The capacity loading is 4,5Kg each (shelf weight included) for a shelf max 200mm deep.

25 mm min.



4,5 kg for each shelf support
for shelf 200 mm deep



PAT. PENDING

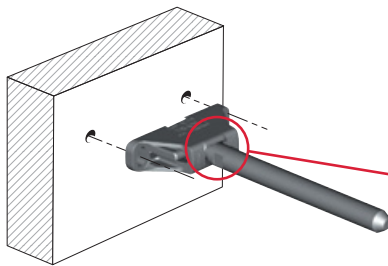


Shelf minimum depth: 165mm

Zinc alloy and steel

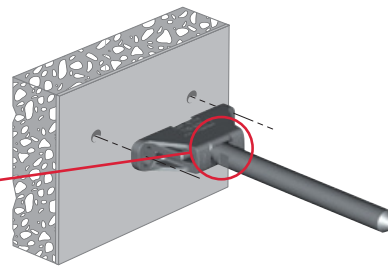
INSTALLATION AND ADJUSTMENTS

WOOD PANEL



Recommended fixing pan head screw type - head Ø 5 mm max.

SOLID AND PLASTERBOARD PANEL



VERY IMPORTANT

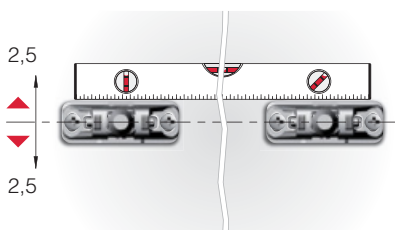
Triade Mini has to be installed with the arrow facing upwards.

It is the responsibility of the customer:

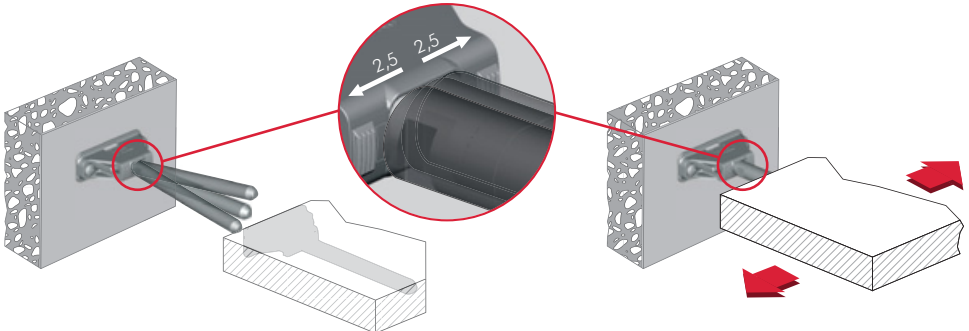
- to ensure the wall is of a suitable quality to hold the shelf fixing in place.
- to use the proper hardware fittings according to the construction of the wall.

For more specific information, please refer to the WARNINGS section at the end of the catalogue.

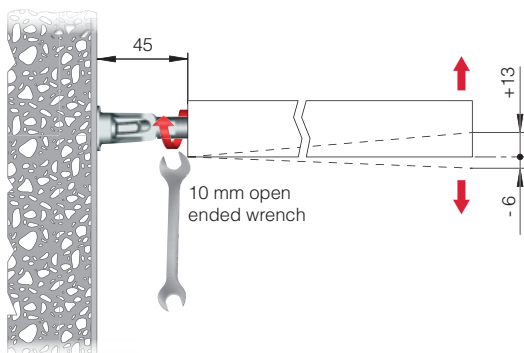
BRACKET ALIGNMENT



LATERAL ADJUSTMENT

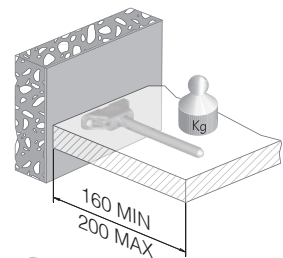
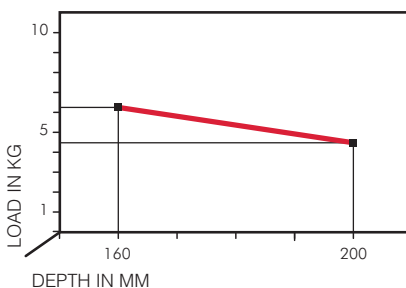


INCLINATION ADJUSTMENT



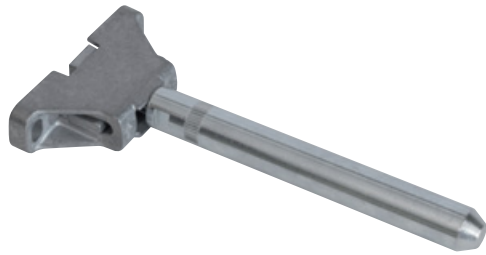
COMBINATION SHELF LOAD AND SHELF DEPTH

(The figures refer to 1 shelf support)

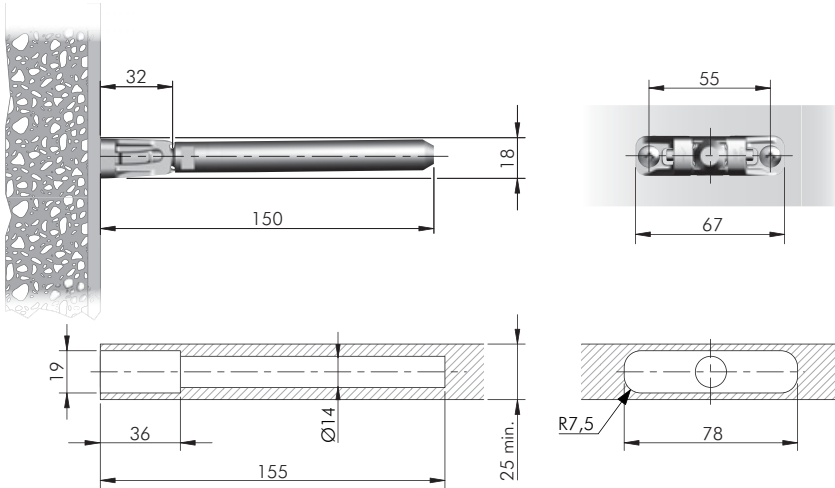


+ shelf weight = 4,5 kg MAX
for each shelf support

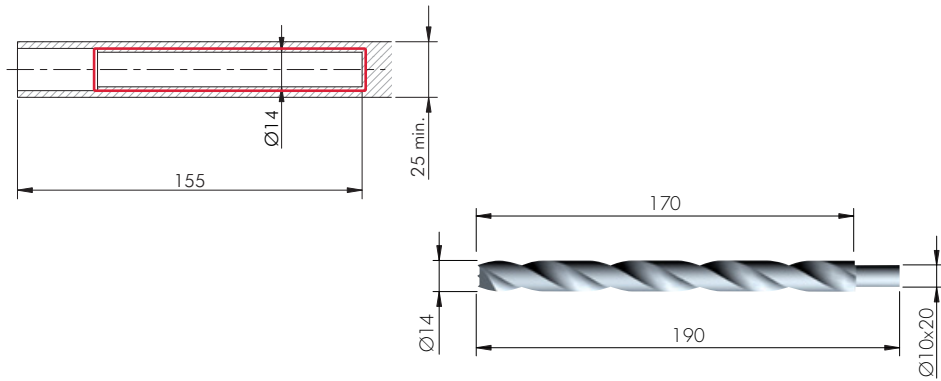
For installation details refer to "APPLICATION FOR ALL TRIADE VERSIONS"



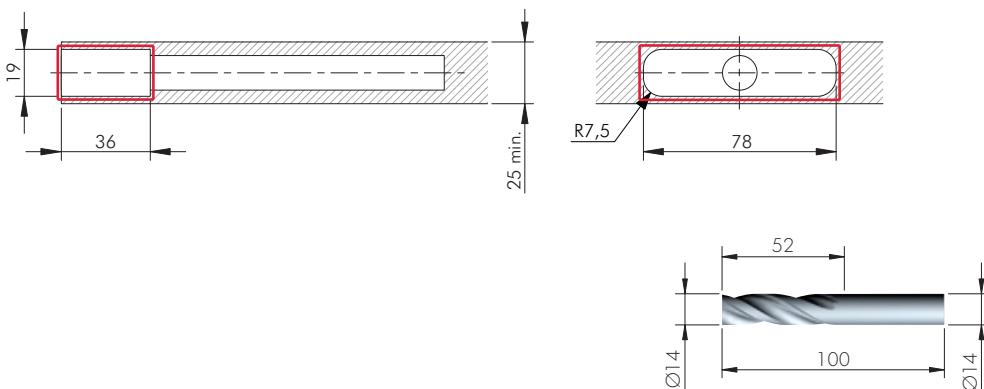
= PZ2	= open ended wrench 10 mm
ZA ST	= 50 pcs.
123	
1621401000	



DRILL BIT FOR TRIADE MINI



HSS	= on request
123	
1621452000	



HSS	= on request
123	
1621454000	

TRIADE MINI AND BRACKET

BRACKET FOR TRIADE MINI with pin Ø 8mm is a valid complement to the concealed shelf support Triade Mini for shelves 25mm thick. It is strongly recommended to be used in combination with the Triade Mini for shelves over 200mm deep, in order to improve the shelf support capacity loading, by evenly distributing the shelf load on the wall through a pin. The Ø 8mm pin allows to reduce the load taken by the two fixing screws. The capacity loading is 10Kg each (shelf weight included) for a shelf max 300mm deep.

Shelf minimum depth: 165mm

Zinc alloy and steel

25 mm min.

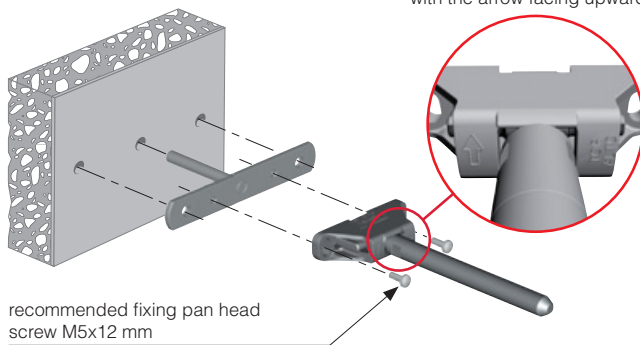
10 kg for each shelf support for shelf 300 mm deep

PAT. PENDING

INSTALLATION

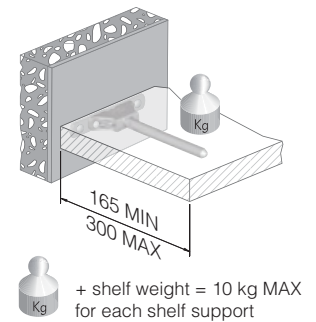
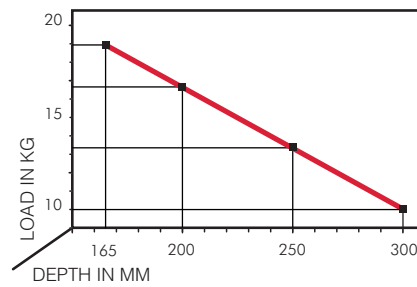
SOLID AND PLASTERBOARD PANEL

VERY IMPORTANT
Triade Mini has to be installed with the arrow facing upwards.



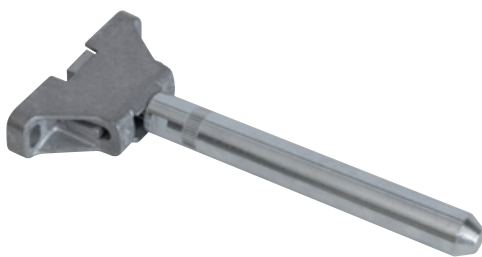
It is the responsibility of the customer:
- to ensure the wall is of a suitable quality to hold the shelf fixing in place.
- to use the proper hardware fittings according to the construction of the wall.
For more specific information, please refer to the WARNINGS section at the end of the catalogue.

COMBINATION SHELF LOAD AND SHELF DEPTH (The figures refer to 1 shelf support)



VERY IMPORTANT
- The capacity loading data stated in the chart refers to Triade Mini used in combination with the related wall bracket.

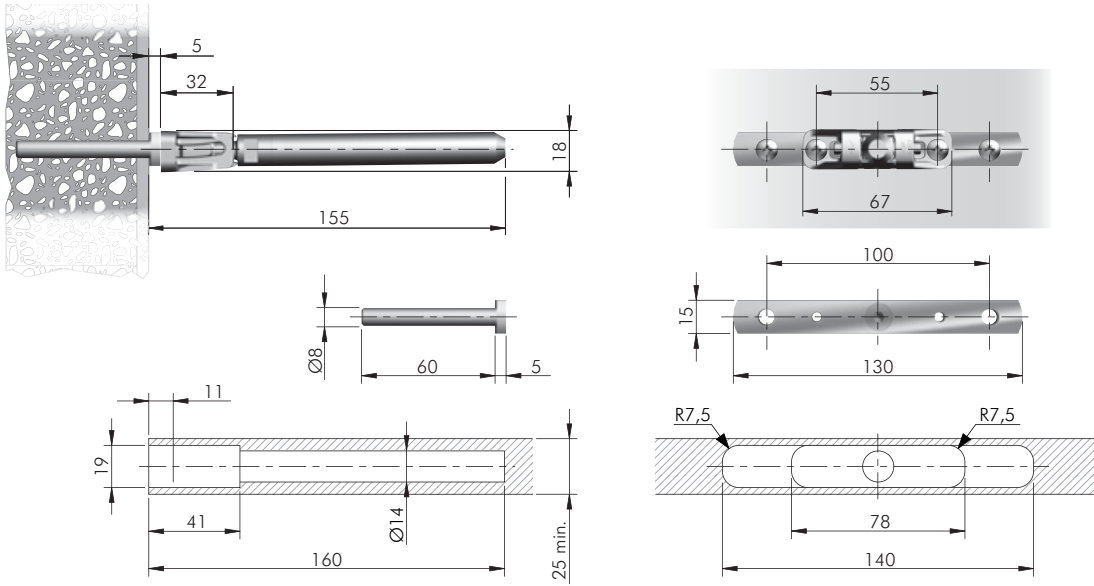
- It is strongly recommended to use the triade mini in combination with the related wall bracket, otherwise Italiana Ferramenta will not be held responsible for any failure.



= PH2	= open ended wrench 10 mm
	= 50 pcs.
123	
1621401000	



= M5	
	= 100 pcs.
123	
16215040ZN	

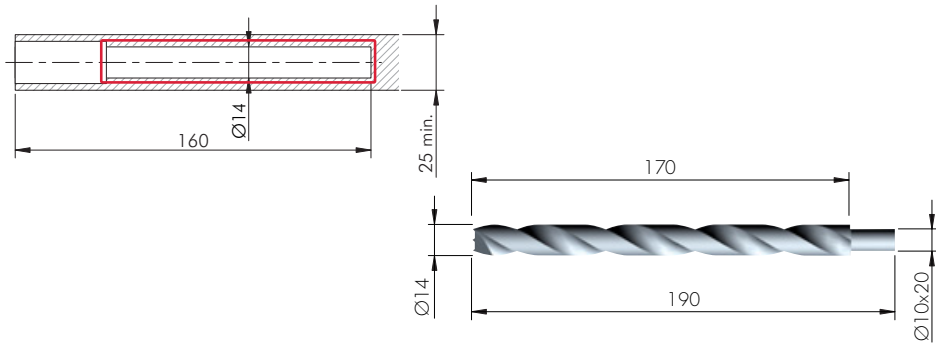


TRIADE MINI BRACKET FIXING ACCESSORY

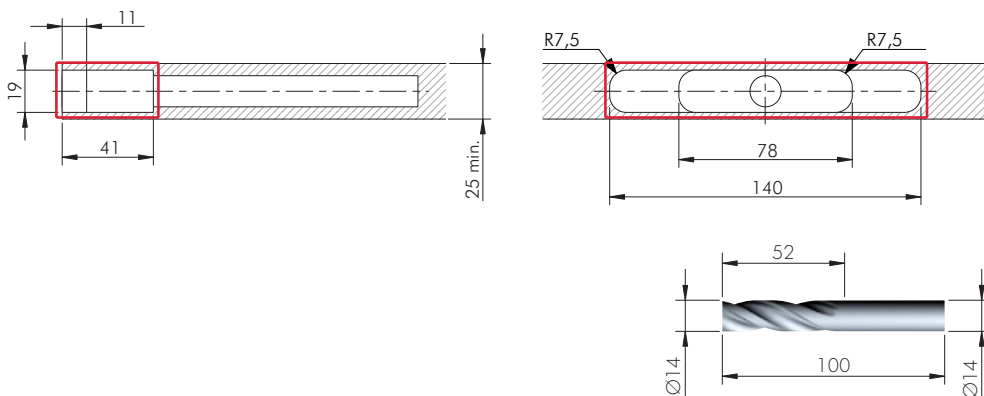


= M5	= PZ2	
		= 1000 pcs.
60334030Z ^N		

DRILL BIT FOR TRIADE MINI AND BRACKET



	= on request
1621452000	

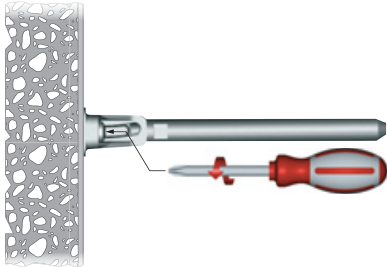


	= on request
1621454000	

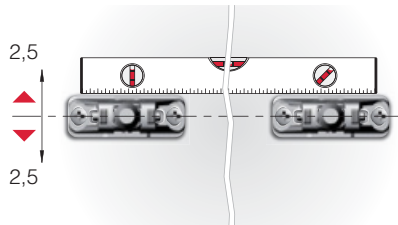
APPLICATION FOR ALL TRIADE VERSIONS

VERTICAL ADJUSTMENTS

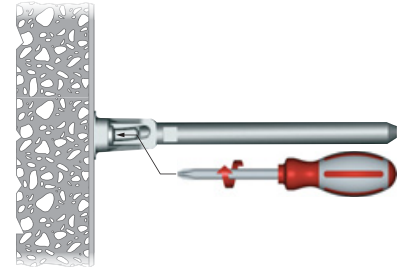
RELEASE THE FIXING SCREWS



ALIGN BRACKETS VERTICALLY ACCORDINGLY

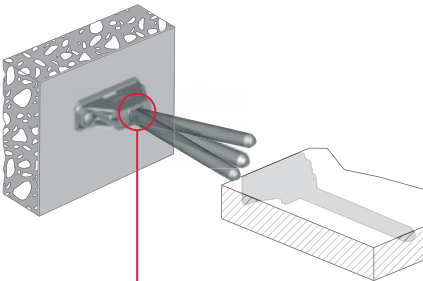


TIGHT THE FIXING SCREWS

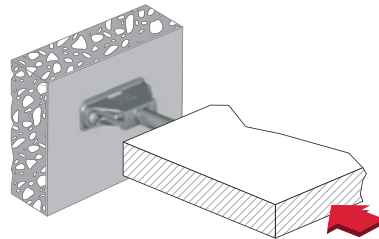


SHELF INSERTING AND LATERAL ADJUSTMENT

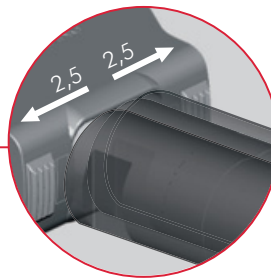
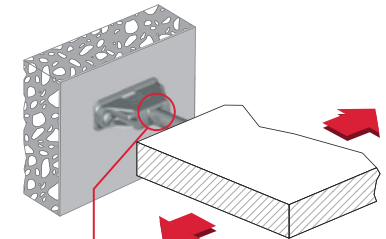
TILT THE SHELF TO MATCH BOTH SUPPORTING PINS AND SHELF HOUSINGS



INSERT PARTIALLY THE SHELF

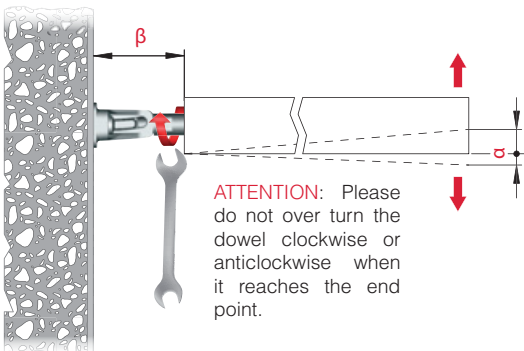


ADJUST THE SHELF Laterally ACCORDING TO THE APPLICATION (i.e. MULTI-SHELF COMPOSITION)



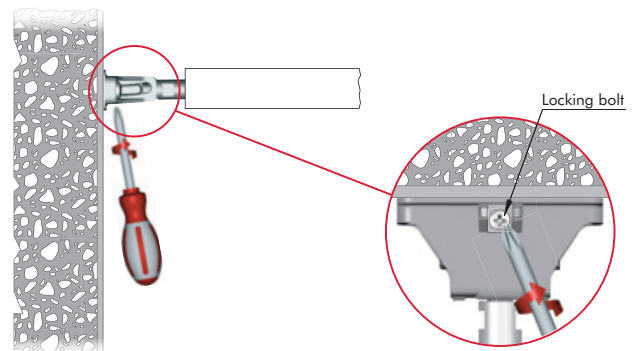
INCLINATION ADJUSTMENTS

TURN CLOCKWISE THE SUPPORTING PIN WITH A 10 - 12 mm OPEN-ENDED WRENCH TO ADJUST THE SHELF ANGLE FRONT TO BACK ACCORDINGLY



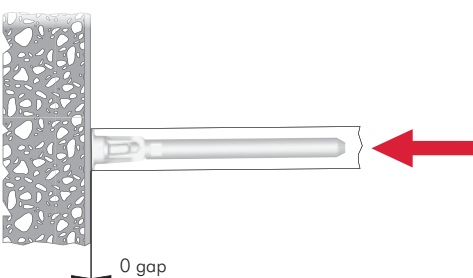
MODEL	β(mm)	α(mm)
TRIADE MINI	approx.45	-6 +13
TRIADE	approx.45	-6 +13
TRIADE MAXI	approx.70	-8 +20
TRIADE XXL	approx.70	-8 +20

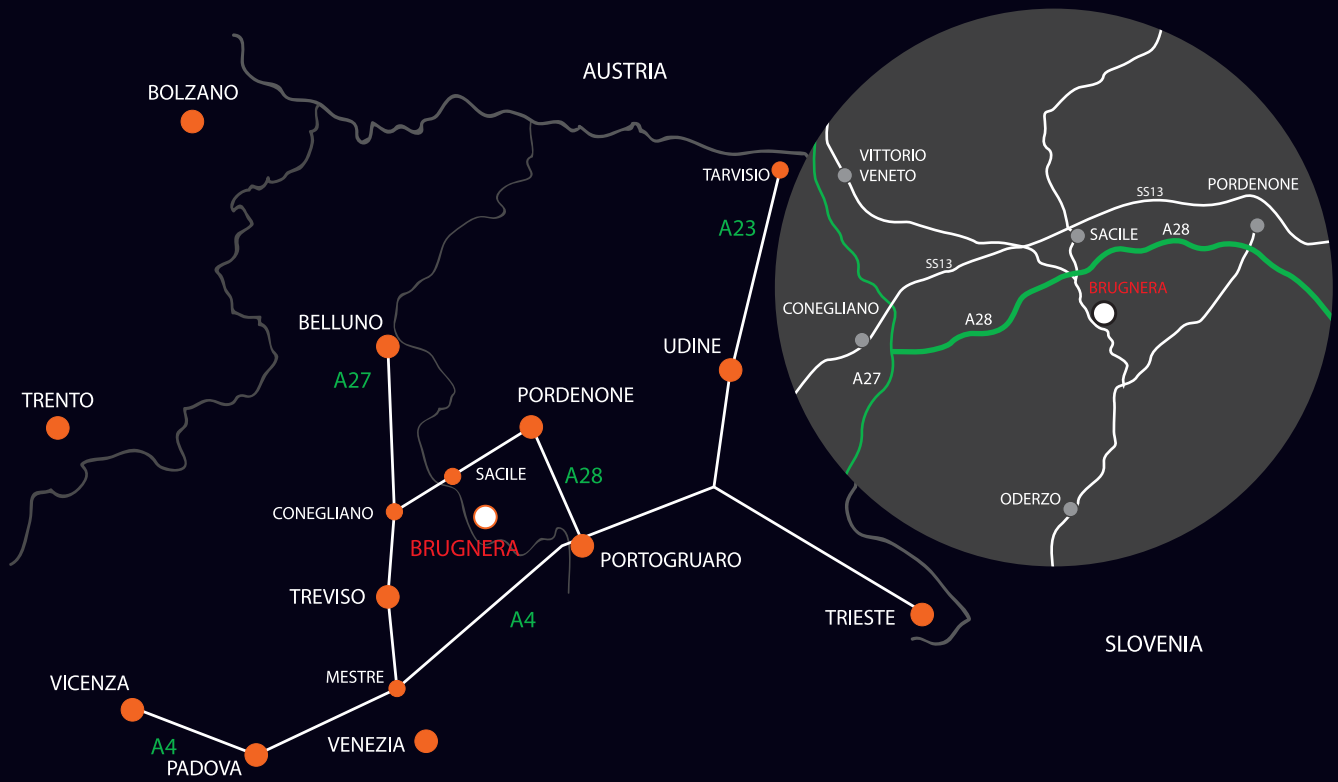
SCREW THE LOCKING BOLT TO BLOCK THE PIN



SHELF INSERTING FOR ALL TRIADE MODELS

PUSH THE SHELF AGAINST THE WALL UNTIL THE END





www.italianaferramenta.com