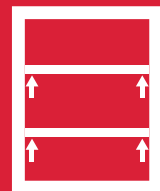


TRIS

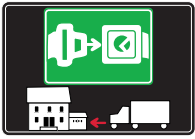


SHELF
SUPPORTS



SYMBOLS AND FINISHES LEGEND

SYMBOLS



= SHELF SAFELY LOCKED DURING TRANSPORTATION AND AT HOME.



= ANTI-TURNOVER LOCKING SYSTEM



= NORMS / PATENTS



= PHILLIPS / POZIDRIV



= NEWTON



= PART.NO



= HEXAGONAL SOCKET



= FRICTION



= PCS. PER PACKAGE



= BLADE SLOT



= AUTOMATIC



= COMBI SLOT



= DROP DOWN



= CAPACITY LOADING



= COUNTERSUNK HEAD



= WOOD / GLASS THICKNESS



= PAN HEAD



= STANDARD HINGE



= HOLE DIAMETER



= FLANGE HEAD



= KIMANA HINGE



= DIAMETER



= FLAT HEAD



= FLAP HINGE



= LENGTH



= TRILOBULAR SCREW



= WITH SPRING



= HEIGHT



= SELF-TAPPING SCREW



= WITHOUT SPRING



= RIGHT VERSION



= EURO THREAD



= REVERSED SPRING



= LEFT VERSION



= METRIC THREAD



= PRE-INSERTED SCREW



= FOR ROUND TUBE



= PCS. PER PAD



= PRE-INSERTED SCREW AND SPREADING BUSH



= FOR OVAL TUBE



= CUT ON REQUEST



= WITH BUFFER



= SELF ADHESIVE



= WITH MAGNET



= WITH FLANGE

MATERIALS

ZA = Zinc Alloy	ST = Steel	HSS = High Speed Steel	BR = Brass	ABS = Acrylonitrile Butadiene Styrene
ZAnk = Nickel-plated Zinc Alloy	STzk = Zinc-plated Steel	AL = Aluminium	WD = Wood	EVA = Ethylene Vinyl Acetate

EP = **ENGINEERING PLASTIC**

+ **EP** = other engineering plastic available on request

SR = **SOFT RUBBER**

+ **SR** = other soft rubber available on request

EPn = Natural Engineering Plastic	EPc = Clear Engineering Plastic	SRn = Natural Soft Rubber
EPw = White Engineering Plastic	EPg = Grey Engineering Plastic	SRw = White Soft Rubber
EPwg = Water Green Engineering Plastic		SRb = Black Soft Rubber

FINISHES

+  = OTHER FINISHES AVAILABLE ON REQUEST

PART. NO	FINISHES	PART. NO	FINISHES	PART. NO	FINISHES
AA	Natural	JB	Bright Aluminium	PZ	Beech
AB	White	JC	Aluminium - Chrome	QA	Maple
AC	Opal White	JD	Matt Aluminium	QB	Walnut
AE	White 9010	JE	Satin-finished Aluminium	WA	Bronzed
AK	Champagne	JF	Aluminium - Brass	WI	Burnished
AL	Ivory	JG	Aluminium 5	XD	Satin-finished Steel
EA	Black	JL	Aluminium PE 11	YA	Nickel-plated
EB	Glossy Black	JM	Aluminium RAL 9006	YB	Bright Nickel-plated
EC	Matt Black	KA	Chrome	YC	Matt Nickel-plated
GR	Raw	KB	Bright Chrome	YD	Satin-finished Nickel-plated
HA	Brass-Plated	KC	Matt Chrome	ZA	Zinc alloy
HH	Tropicalized	MA	Brown	ZN	Zinc-plated
HL	Raw Brass	MB	Light Brown 1	ZQ	Bright Gold
IA	Grey	NN	Metallic Beige	ZY	Titanium
IB	Metallic Grey	NO	Beige	ZZ	Clear
IF	Middle Grey	OA	Oak	00	Insignificant finish
IJ	Light Grey	OZ	Ash		
IL	Grey 20	PA	Light Ash		
JA	Aluminium	PY	Cherry		



TRIS

TRIS is the shelf support slotted into the shelf by making edge borings. The sleeve of the shelf support can be expanded by inserting a pin (pin=optional extra), which improves the structural fastening of the shelf to the sides of the furniture. The shelf has to be pushed downwards onto the side brackets, which can be screwed into any position required. The side brackets slot into the socket of the shelf supports and a click locks the shelf in position. The **TRIS** brackets are available in 3 different versions: with spreading bush and screw pre-inserted, and with hole for screw fixing, with pin $\varnothing 5$ only for 25 mm shelf thickness version.

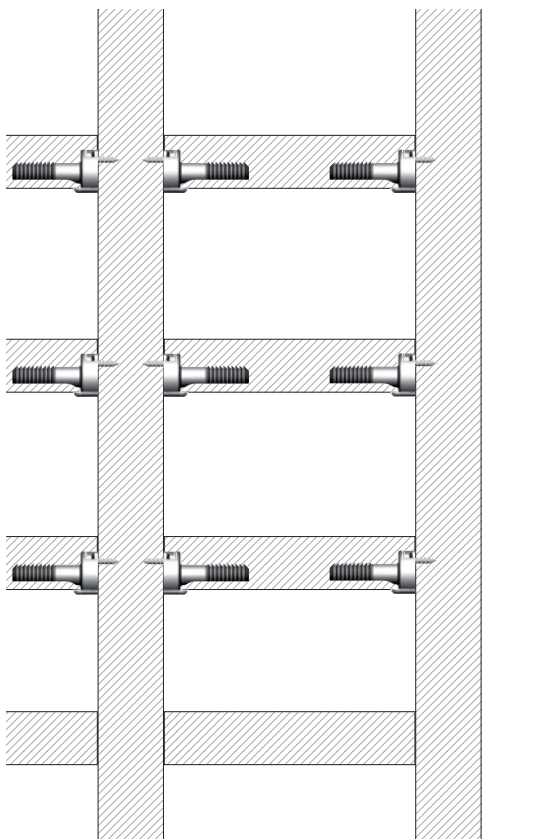
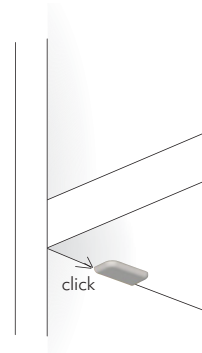
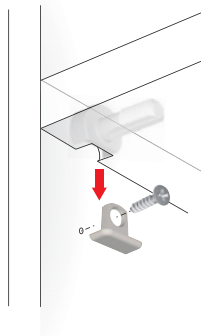
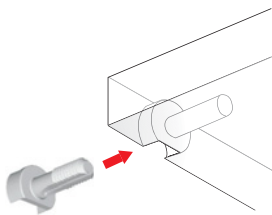
TRIS is available for 19, 25, 28 and 30 mm shelf thickness.



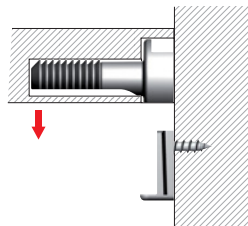
18 mm min.

UNI EN 14749/05

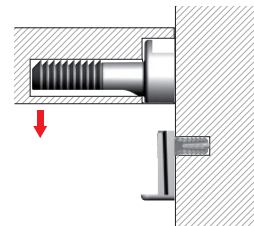
INSTALLATION AND ASSEMBLING



Assembling with alternative fixing options.

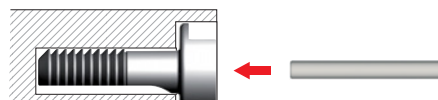


Assembling with pre-inserted spreading bush and screw to avoid hole damaging for shelf repositioning.



OPTIONAL FIXING:

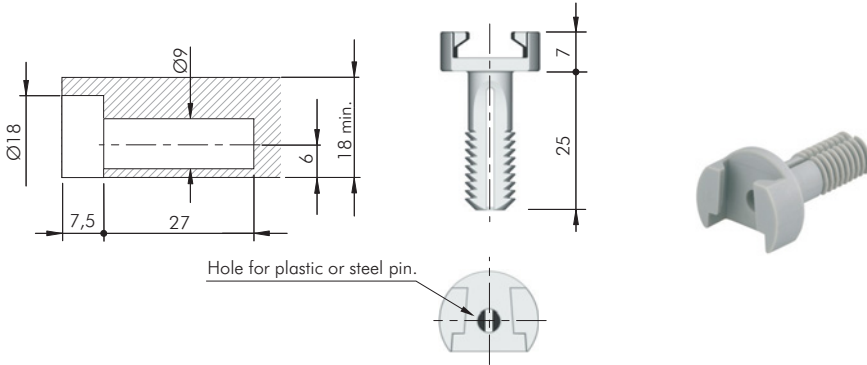
to achieve much more horizontal connection fixing. The sleeve expands by inserting the provided $\varnothing 3$ mm pin.



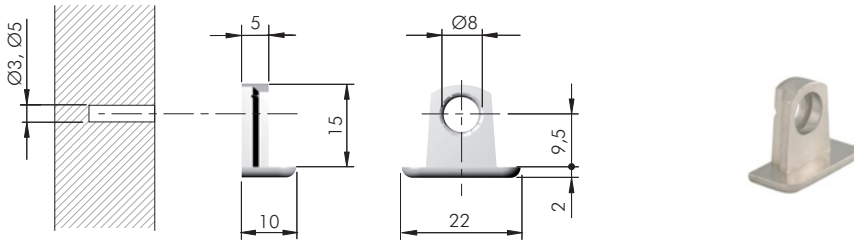
Also suitable for top and bottom panels when a back panel is used.









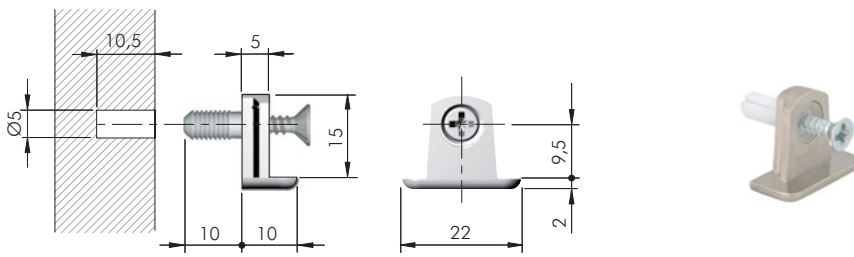
TRIS  **18 - 19 mm**










EP	 = 7000 pcs.
 123 	
10901010AB	

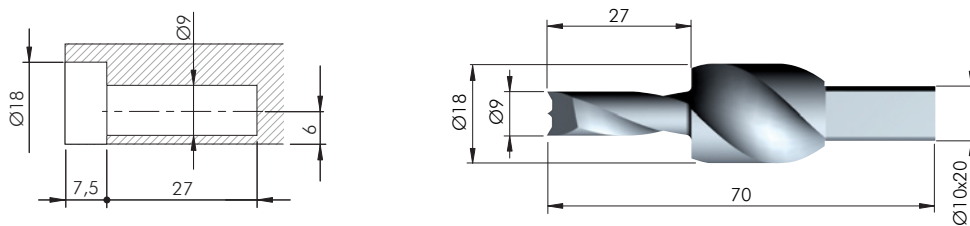







 = Ø 3, Ø 5 mm	 + 
ZA	 = 3000 pcs.
 123 	
10902010YA	



 = Ø 5 mm	 + 
 = PZ2	
ZA ST EP	 = 3000 pcs.
 123 	
10902020YA	

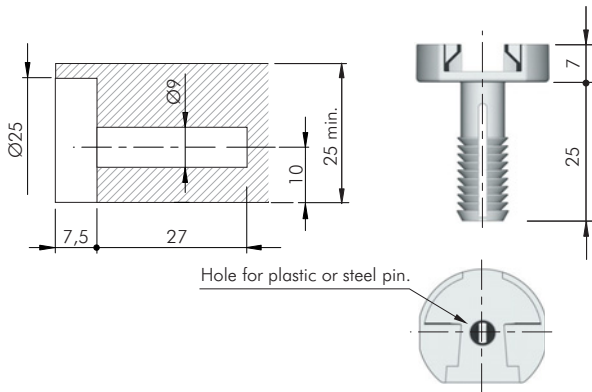
DRILL BIT FOR TRIS  **19 mm**



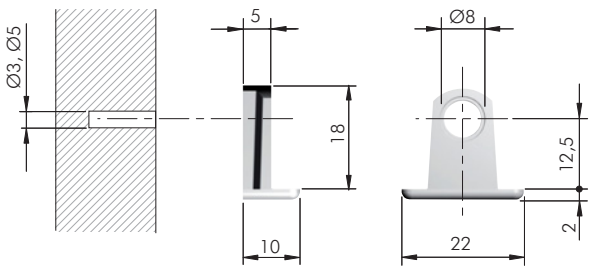
HSS	 = on request
 123 	
1090205000	
1090206000	








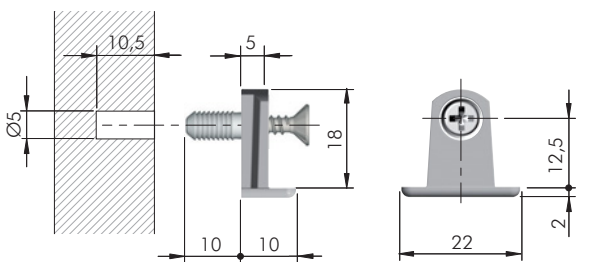
TRIS 25 mm









EP	 = 4000 pcs.
 123	
10901020AB	

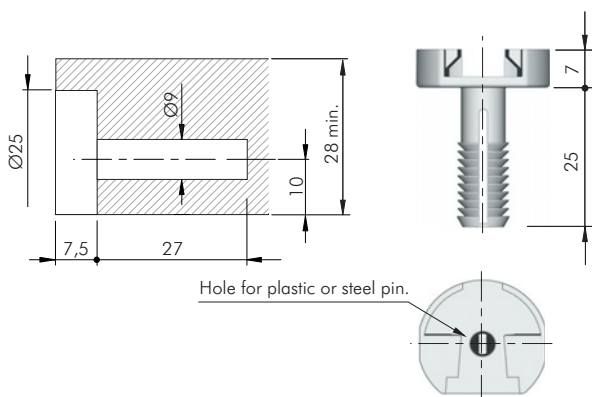





 = Ø 3, Ø 5 mm	
ZA	 = 3000 pcs.
 123	
10903010YA	

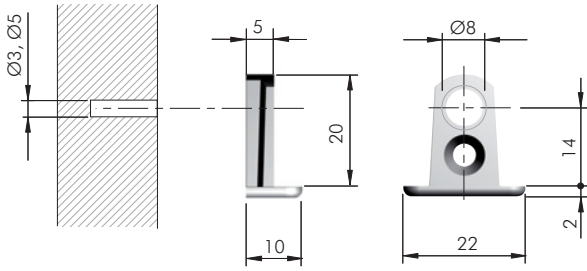


 = Ø 5 mm	
 = PZ2	
ZA ST EP	 = 3000 pcs.
 123	
10903020YA	

TRIS 28 mm

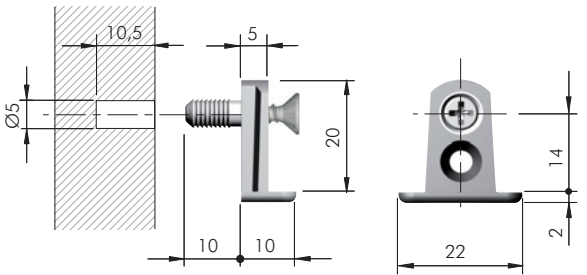


EP	 = 4000 pcs.
 123	
10901020AB	



= Ø 3, Ø 5 mm +
 ZA = 3000 pcs.

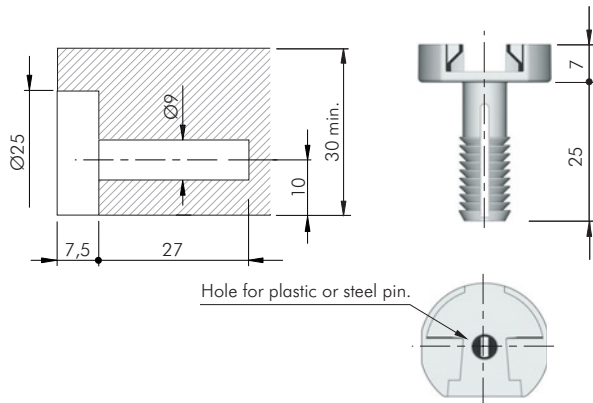
 10904010YA



= Ø 5 mm +
 = PZ2
 ZA ST EP = 3000 pcs.

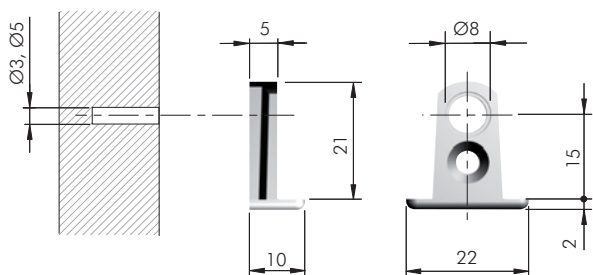
 10904020YA

TRIS **30 mm**



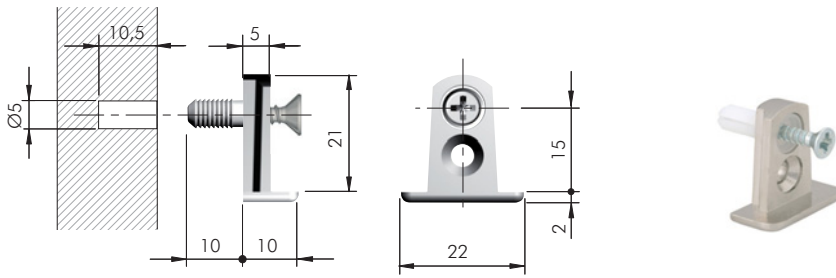
EP = 4000 pcs.

 10901020AB



= Ø 3, Ø 5 mm +
 ZA = 3000 pcs.

 10905010YA



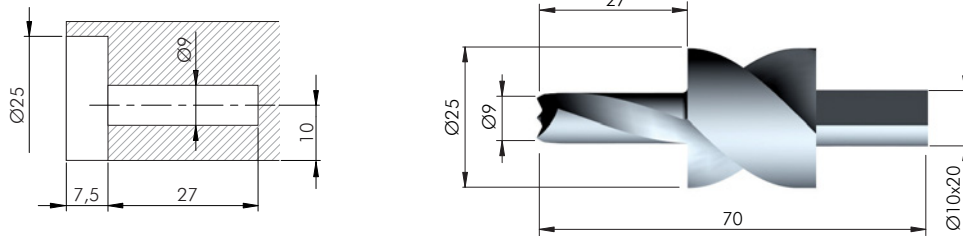
= Ø 5 mm

= PZ2

ZA ST EP = 3000 pcs.

10905020YA

DRILL BIT FOR TRIS 25, 28, 30 mm

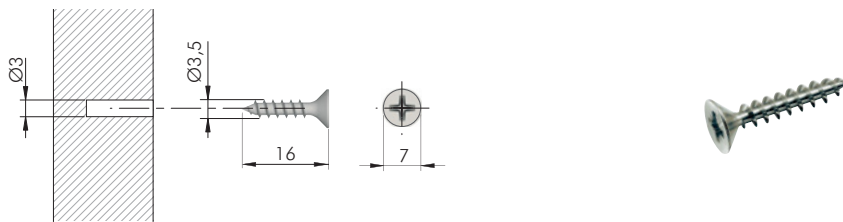


HSS = on request

1090207000

1090208000

TRIS FIXING ACCESSORIES

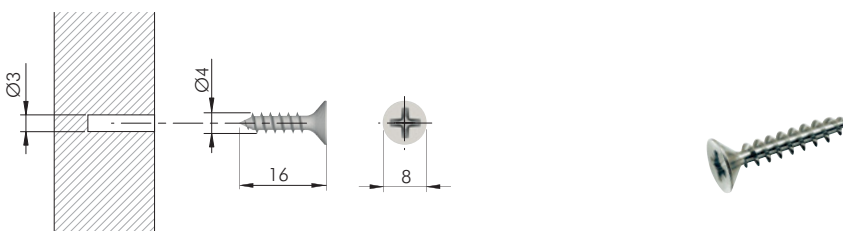


= Ø 3 mm

= PZ2

ST = 10.000 pcs.

60101390ZN

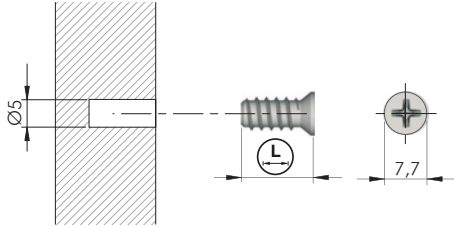


= Ø 3 mm

= PZ2

ST = 5000 pcs.

60101570ZN

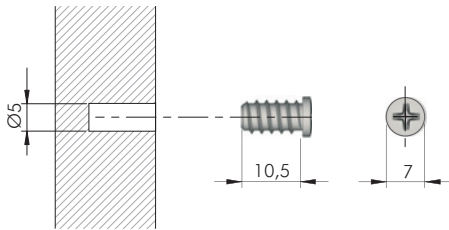


= Ø 5 mm +

= PZ2

ST

60502010ZN	10	9000
60501050YA	12,7	5000
60502020ZN	13	5000
60502030ZN	15	5000

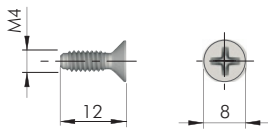


= Ø 5 mm +

= PZ2

ST = 5000 pcs.

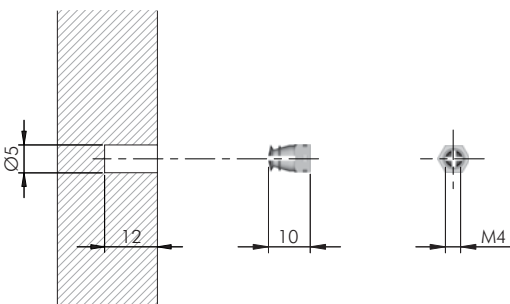
60507010YA



= M4 = PZ2

ST = 2000 pcs.

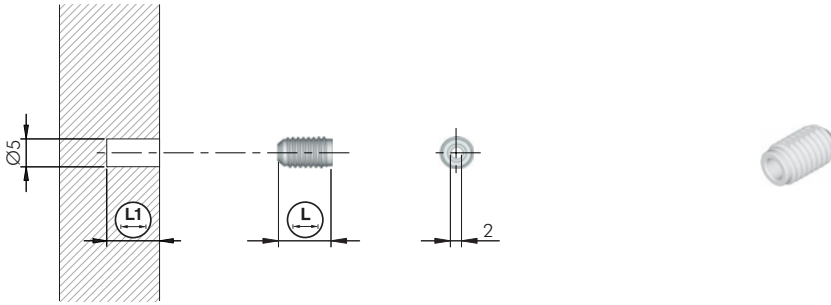
60305040ZN



= Ø 5 mm = M4

BR = 20.000 pcs.

20502021HL

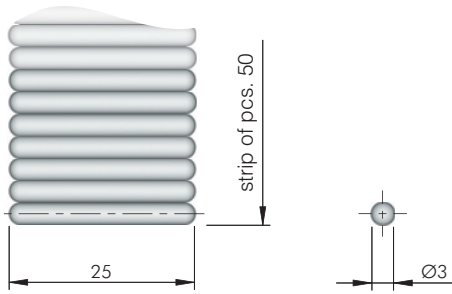


= Ø 5 mm

EPn

= 5000 pcs.

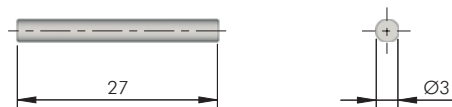
20302020AA		9,5	11,5
20302030AA		13	15



EP

= 50.000 pcs.

10950010AB	
10950010EA	

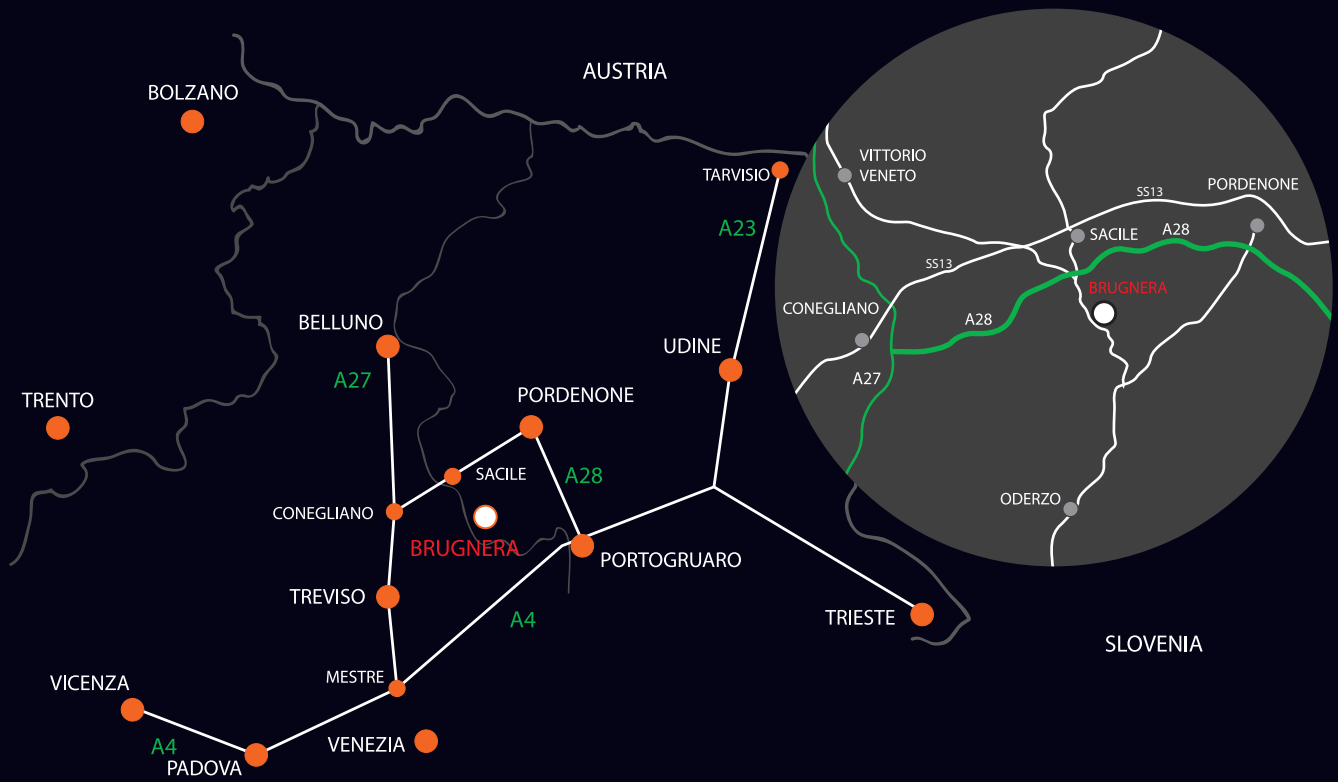


ST

= 15.000 pcs.

10951010ZN	





www.italianaferramenta.com